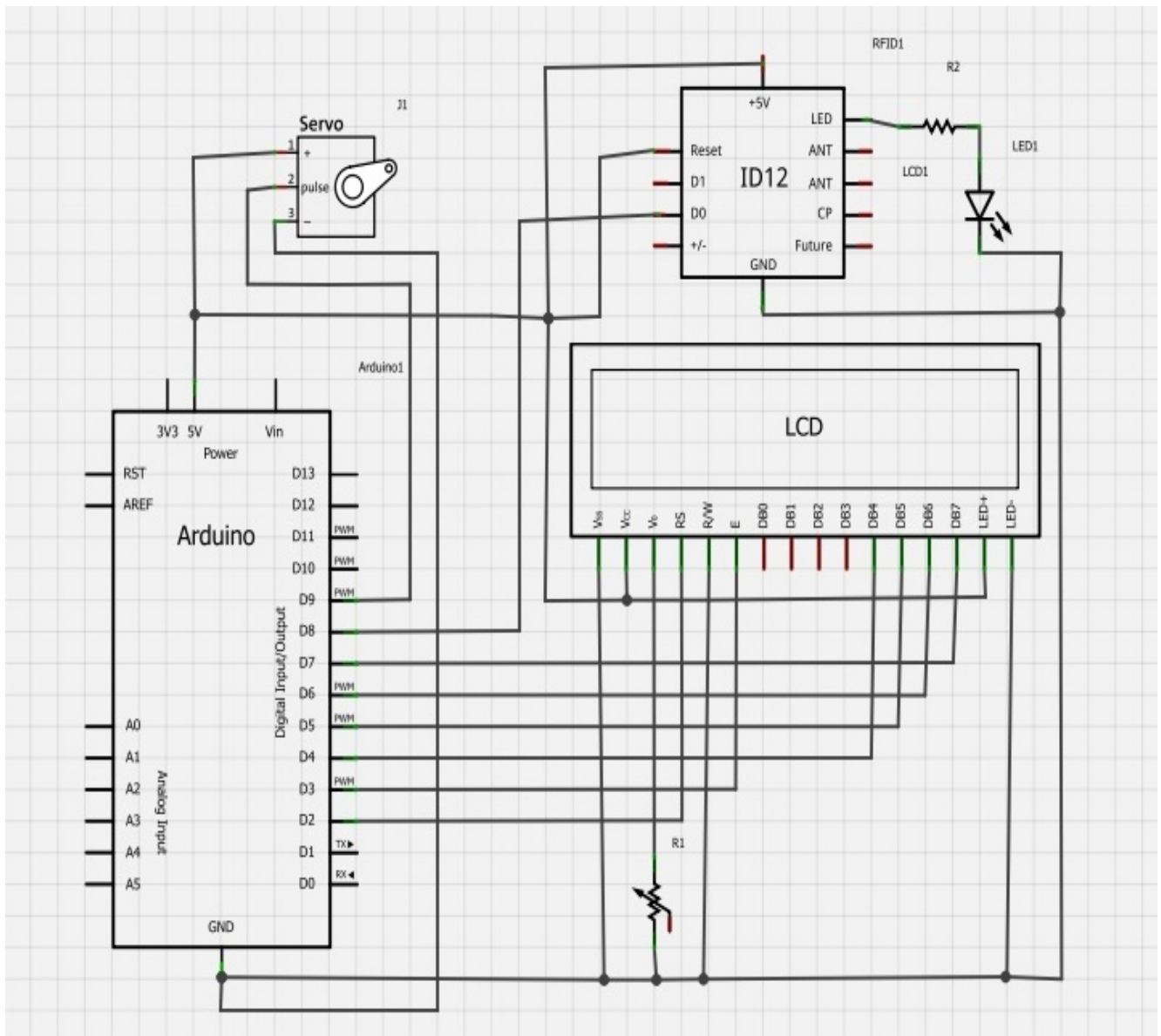


LAMPIRAN A

Schematic Rangkaian

A-1



LAMPIRAN B

Program Arduino *kit*

B-1

```
#include <LiquidCrystal.h>
#include <SoftwareSerial.h>
#include <Servo.h>

SoftwareSerial serial2 (8,12);
LiquidCrystal lcd1 (2,3,4,5,6,7);

Servo motor1;

int data;

char paket[6];
char pulsa[6];

void setup()
{
  lcd1.begin(16,2);
  serial2.begin(9600);
  Serial.begin(9600);
  motor1.attach(9);
  motor1.write(5);
  delay(1000);
  lcd1.clear();
  lcd1.print("Welcome");
  delay(1000);
  lcd1.clear();
  lcd1.print("Pengunjung ");
  lcd1.setCursor(0,1);
  lcd1.print(" selanjutnya ");
```

```

}

void loop(){

  if(serial2.available()){
    data = serial2.read();
    Serial.print((char)data);
  }

  if(Serial.available() >= 5){
    Serial.readBytes(paket,5);
    paket[5] = 0;

    if(strcmp(paket," N/A")== 0){
      lcd1.clear();
      lcd1.print("Tidak Terdaftar");
      delay(3000);
      lcd1.clear();
      lcd1.print("Pengunjung ");
      lcd1.setCursor(0,1);
      lcd1.print(" selanjutnya ");
    }

    if(strcmp(paket," N/S")== 0){
      lcd1.clear();
      lcd1.print("Pulsa habis");
      delay(3000);
      lcd1.clear();
      lcd1.print("Pengunjung ");
    }
  }
}

```

```
    lcd1.setCursor(0,1);  
    lcd1.print(" selanjutnya ");  
}  
  
if(strcmp(paket," OK")== 0){  
    Serial.readBytes(pulsa,5);  
    pulsa[5] = 0;  
    lcd1.clear();  
    lcd1.print("Pulsa anda:");  
    lcd1.setCursor(10,1);  
    lcd1.print(pulsa);  
    delay(3000);  
    lcd1.clear();  
  
    motor1.write(60);  
    delay(3000);  
    motor1.write(10);  
    delay(3000);  
    lcd1.print("Pengunjung ");  
    lcd1.setCursor(0,1);  
    lcd1.print(" selanjutnya ");  
  
}  
  
}  
  
}
```

LAMPIRAN C

Program Delphi

C-1

```

procedure TForm1.Button1Click(Sender: TObject);
begin
  with DM.QTulis do
  begin

close;

  sql.clear;

  sql.Add('INSERT INTO member (nokartu,norfid, pulsa) VALUES (:nk,:nr,:pl);');
  ParamByName('nk').AsInteger := StrToInt(ednokartu.Text);
  ParamByName('nr').AsString := ednorfid.Text;
  ParamByName('pl').AsInteger := StrToInt(edpulsa.Text);

  execsql;

  DM.IBTR.Commit;

  DM.IBTable1.Active := true;
end;

end;

procedure TForm1.Button2Click(Sender: TObject);
var
  pulsa_terakhir : integer ;
begin

  with DM.QBaca do
  begin

```



```

close;

sql.clear;

sql.Add('SELECT pulsa FROM member WHERE norfid = :nr2 ;');

ParamByName('nr2').AsString := ednorfid2.Text;

open;

if fields[0].IsNull then
begin

    MessageBox(0, 'kartu tidak terdaftar','error',MB_OK);

end
else
begin
    pulsa_terakhir := Fields[0].AsInteger;

    with DM.QTulis do
begin
    sql.clear;
    sql.Add('UPDATE member SET pulsa = :pulsa WHERE norfid = :nr2 ;');

    ParamByName('pulsa').AsInteger := StrToInt(edpulsa2.Text)+ pulsa_terakhir;
    ParamByName('nr2').AsString := ednorfid2.Text;

    execsql;

    DM.IBTR.Commit;

```

```

    DM.IBTable1.Active := true;

end;

end;

end;

end;

procedure TForm1.FormCreate(Sender: TObject);
begin
    comport1.Port := 'COM12';
    comport1.Open;

    comport2.Port := 'COM13';
    comport2.Open;
end;

procedure TForm1.Comport1RxChar(Sender: TObject; Count: Integer);
var
    data : string;
    norfid : string;
    pulsa_terakhir : integer;
    tampung : string;
    spasi : integer;
begin
    if Count >= 16 then
        begin

```

```
comport1.ReadStr(data,16);
```

```
norfid := Copy(data,2,12);
```

```
with DM.QBaca do
```

```
begin
```

```
close;
```

```
sql.clear;
```

```
sql.Add('SELECT pulsa FROM member WHERE norfid = :nr ;');
```

```
ParamByName('nr').AsString := norfid;
```

```
open;
```

```
if Fields[0].IsNull then
```

```
begin
```

```
    //kirim n/a
```

```
    comport1.WriteStr(' N/A');
```

```
end
```

```
else
```

```
begin
```

```
    //kirim ok dan pulsa
```

```
    pulsa_terakhir := Fields[0].AsInteger;
```

```
if pulsa_terakhir = 0 then
```

```

begin
comport1.WriteStr(' N/S');

end

else
begin

with DM.QTulis do
begin
sql.clear;
sql.Add('UPDATE member SET pulsa = :pulsa WHERE norfid = :nr2 ');

ParamByName('pulsa').AsInteger := pulsa_terakhir - 1;
ParamByName('nr2').AsString := norfid;

execsql;
DM.IBTR.Commit;

DM.IBTable1.Active := true;
end;

comport1.WriteStr(' OK');

tampung := IntToStr(pulsa_terakhir - 1);
if Length(tampung) < 5 then
begin

```



```

DM.IBTable1.Active := true;
end;

procedure TForm1.ComPort2RxChar(Sender: TObject; Count: Integer);
var
  data : string;
  norfid : string;
begin
  if Count >= 16 then
  begin
    comport2.ReadStr(data,16);
    norfid := Copy(data,2,12);
    ednorfid.Text := norfid;
    ednorfid2.Text := norfid;
    edpulsas.Text := '10';

    with dm.QBaca do
    begin
      close;
      sql.Clear;
      sql.Add('select nokartu from member');
      open;

      if Fields[0].IsNull Then
      begin
        ednokartu.Text := '0001';
      end
      else

```

```
begin

with dm.QBaca do

begin

close;

sql.clear;

sql.add('select max(nokartu) from member');

open;

ednokartu.Text :=FormatFloat('0000',StrToFloat(Fields[0].Value+1));

end;

end;

end;

end;

end.
```