

Resp	Jawaban Responden untuk Variabel Y Interval								
	Y1	Y2	Y3	Y4	Y5	Y6	Y7	Y8	Total
1	2,731	4,400	3,806	4,042	5,120	3,685	1,743	3,374	28,902
2	4,984	4,400	3,806	5,450	3,766	3,685	2,840	3,374	32,306
3	3,658	4,400	3,806	4,042	3,766	3,685	2,840	3,374	29,572
4	3,658	4,400	3,806	4,042	3,766	3,685	2,840	3,374	29,572
5	4,984	4,400	3,806	4,042	5,120	3,685	4,334	3,374	33,746
6	4,984	4,400	3,806	2,845	5,120	5,154	1,743	3,374	31,427
7	2,731	4,400	2,592	4,042	3,766	2,574	2,840	2,284	25,229
8	4,984	3,000	5,272	2,845	5,120	5,154	2,840	2,284	31,499
9	4,984	3,000	5,272	2,845	5,120	5,154	2,840	4,675	33,890
10	3,658	5,800	3,806	4,042	3,766	3,685	2,840	3,374	30,972
11	3,658	5,800	3,806	4,042	5,120	3,685	2,840	4,675	33,626
12	4,984	5,800	5,272	4,042	5,120	3,685	4,334	4,675	37,912
13	4,984	4,400	5,272	5,450	5,120	5,154	2,840	3,374	36,594
14	3,658	4,400	3,806	4,042	3,766	3,685	2,840	3,374	29,572
15	3,658	4,400	3,806	4,042	3,766	3,685	2,840	3,374	29,572
16	3,658	4,400	3,806	4,042	3,766	3,685	2,840	3,374	29,572
17	2,000	3,000	2,000	2,000	2,000	2,000	1,000	1,000	15,000
18	3,658	4,400	3,806	4,042	3,766	3,685	1,743	1,592	26,693
19	4,984	3,000	3,806	5,450	2,731	2,000	1,000	2,284	25,255
20	4,984	4,400	5,272	5,450	3,766	3,685	2,840	2,284	32,681
21	4,984	5,800	5,272	5,450	5,120	5,154	4,334	4,675	40,788
22	3,658	3,000	3,806	4,042	3,766	3,685	2,840	3,374	28,172
23	4,984	5,800	5,272	5,450	5,120	5,154	2,840	2,284	36,903
24	4,984	4,400	5,272	4,042	2,731	3,685	1,000	2,284	28,398
25	3,658	4,400	3,806	4,042	3,766	3,685	2,840	3,374	29,572

Resp	Jawaban Responden untuk Variabel X Interval										
	X1	X2	X3	X4	X5	X6	X7	X8	X9	X10	Total
1	4,620	4,645	2,060	3,000	3,267	2,731	2,731	4,154	4,214	2,868	34,291
2	4,620	4,645	3,337	4,466	3,267	3,873	3,873	5,554	4,214	3,788	41,637
3	4,620	4,645	2,060	4,466	3,267	3,873	3,873	4,154	4,214	3,788	38,961
4	4,620	4,645	3,337	4,466	3,267	3,873	3,873	4,154	4,214	3,788	40,237
5	6,154	4,645	3,337	3,000	3,267	5,272	3,873	4,154	4,214	2,868	40,784
6	4,620	3,000	2,060	3,000	2,031	3,873	2,731	2,943	2,845	2,868	29,971
7	3,000	4,645	3,337	3,000	2,031	3,873	3,873	4,154	2,845	3,788	34,546
8	4,620	3,000	3,337	3,000	2,031	3,873	5,272	4,154	2,845	2,868	34,999
9	4,620	4,645	1,592	4,466	3,267	3,873	3,873	4,154	4,214	2,000	36,705
10	4,620	4,645	3,337	4,466	3,267	3,873	3,873	4,154	4,214	3,788	40,237
11	4,620	6,379	3,337	5,976	4,675	5,272	3,873	4,154	5,821	3,788	47,895
12	6,154	4,645	3,337	5,976	3,267	5,272	5,272	5,554	4,214	3,788	47,479
13	4,620	4,645	3,337	3,000	4,675	5,272	3,873	5,554	4,214	5,067	44,257
14	4,620	4,645	3,337	4,466	3,267	3,873	3,873	4,154	4,214	3,788	40,237
15	6,154	6,379	1,000	3,000	3,267	5,272	5,272	4,154	5,821	5,067	45,386
16	4,620	4,645	3,337	4,466	3,267	3,873	3,873	4,154	4,214	3,788	40,237
17	6,154	4,645	3,337	4,466	2,031	2,000	2,000	2,000	2,000	2,000	30,632
18	3,000	4,645	3,337	4,466	2,031	3,873	3,873	2,943	4,214	3,788	36,170
19	6,154	4,645	5,013	3,000	1,000	3,873	5,272	2,943	4,214	2,000	38,114
20	4,620	4,645	3,337	4,466	3,267	5,272	5,272	4,154	4,214	3,788	43,035
21	4,620	4,645	5,013	4,466	3,267	3,873	5,272	4,154	5,821	5,067	46,198
22	4,620	3,000	3,337	4,466	4,675	5,272	5,272	2,943	4,214	2,000	39,799
23	6,154	4,645	3,337	4,466	4,675	5,272	5,272	5,554	4,214	2,000	45,589
24	4,620	3,000	3,337	4,466	3,267	2,731	3,873	5,554	4,214	2,868	37,930
25	4,620	4,645	3,337	4,466	3,267	3,873	3,873	4,154	4,214	3,788	40,237

KARTU JAM HADIR

Nomor Urut :		Bulan :		
Nama :				
Jabatan :				
Tanggal	Keterangan	Jam Masuk	Jam Pulang	Paraf
1				
2				
3				
4				
5				
6				
7				
8				
9				
10				
11				
12				
13				
14				
15				
16				
17				
18				
19				
20				
21				
22				
23				
24				
25				
26				
27				
28				
29				
30				
31				

Regression

Descriptive Statistics

	Mean	Std. Deviation	N
VAR00009	39,8225	4,81848	25
VAR00010	30,6970	5,03090	25

Correlations

		VAR00009	VAR00010
Pearson Correlation	VAR00009	1,000	,689
	VAR00010	,689	1,000
Sig. (1-tailed)	VAR00009	.	,000
	VAR00010	,000	.
N	VAR00009	25	25
	VAR00010	25	25

Variables Entered/Removed(b)

Model	Variables Entered	Variables Removed	Method
1	VAR00010(a)	.	Enter

a All requested variables entered.

b Dependent Variable: VAR00009

Model Summary

Model	R	R Square	Adjusted R Square	Std. Error of the Estimate
1	,689(a)	,474	,452	3,56856

a Predictors: (Constant), VAR00010

b Dependent Variable: VAR00009

ANOVA(b)

Model		Sum of Squares	df	Mean Square	F	Sig.
1	Regression	264,329	1	264,329	20,757	,000(a)
	Residual	292,896	23	12,735		
	Total	557,225	24			

a Predictors: (Constant), VAR00010

b Dependent Variable: VAR00009

Coefficients(a)

Model		Unstandardized Coefficients		Standardized Coefficients	t	Sig.
		B	Std. Error	Beta		
1	(Constant)	19,573	4,502		4,348	,000
	VAR00010	,660	,145	,689	4,556	,000

a Dependent Variable: VAR00009

NOMOR URUT : 167

NOMOR BADGE : 10441178

NAMA PEGAWAI :

ST. KELUARGA : K/02

GOL : 4A-08

LOKASI KANTOR : PT Pupuk Kujang Cikampek

PUSAT BIAYA : B304120

DIT/UNIT KERJA : BAGIAN KESELAMATAN & PEMADAM
KEBAKARAN BIDANG PENCEGAHAN
& PENANGGULANGAN

GAJI BULAN
APRIL 2007

PEMBAYARAN MELALUI
REKENING NO : 1320095044151

A. PENDAPATAN

1. GAJI DASAR

2. TUNJANGAN PENDAPATAN

- TUNJ. SHIFT
- TUNJ. UANG MAKAN
- TUNJ. PERUMAHAN
- TUNJ. JABATAN
- PEND. CUTI
- PEND. LEMBUR
- PEND. IPE
- PEND. RAPEL
- TUNJ INSENTIVE
- PEND LAIN-LAIN
-
-

9. GAJI KOTOR

PT. Pupuk Kujang Cikampek
APRIL 2007

B. POTONGAN-POTONGAN

1. GAJI KOTOR

2. POTONGAN-POTONGAN

- JAMSOSTEK
- PENSIUN. THT. PROKESPEN
- PINJAMAN GRIYA/PTPK
- RUMAH DINAS
- KREDIT BTN
- BANK NIAGA
- PINJ. BON
- KOPERASI
- TELEPON
- AIR MINUM
- PENGOBATAN
- PERTJWB. UMUM
- SPP. UMUM
- SPP. AGAMA
- ABSENSI
- LAIN-LAIN

3. JUMLAH POTONGAN

4. GAJI BERSIH

5. POTONGAN ZAKAT. INFAK. SADAQAH

6. GAJI DIBAYARKAN

PEMBULATAN

PPH 21/PAJAK PENGHASILAN : 789, 852, 50 DITANGGUNG OLEH PERUSAHAAN
AMPLOP INI SAH SEBAGAI TANDA PENERIMAAN DAN PEMOTONGAN PENDAPATAN/GAJI

Tabel Distribusi *t*

df \ pr	0,25	0,10	0,05	0,025	0,01	0,005	0,001
	0,50	0,20	0,10	0,05	0,02	0,010	0,002
1	1,000	3,078	6,314	12,706	31,821	63,657	318,31
2	0,816	1,886	2,920	4,303	6,965	9,925	22,327
3	0,765	1,638	2,353	3,183	4,541	5,841	10,214
4	0,741	1,533	2,132	2,776	3,747	4,604	7,173
5	0,727	1,476	2,015	2,571	3,365	4,032	5,893
6	0,718	1,440	1,943	2,447	3,143	3,707	5,208
7	0,711	1,415	1,895	2,365	2,998	3,499	4,785
8	0,706	1,397	1,860	2,306	2,896	3,355	4,501
9	0,703	1,383	1,833	2,262	2,821	3,250	4,297
10	0,700	1,372	1,812	2,228	2,764	3,169	4,144
11	0,697	1,363	1,796	2,201	2,718	3,106	4,025
12	0,695	1,356	1,782	2,179	2,681	3,055	3,930
13	0,694	1,350	1,771	2,160	2,650	3,012	3,852
14	0,692	1,345	1,761	2,145	2,624	2,977	3,787
15	0,691	1,341	1,753	2,131	2,602	2,947	3,733
16	0,690	1,337	1,746	2,120	2,583	2,921	3,686
17	0,689	1,333	1,740	2,110	2,567	2,898	3,646
18	0,688	1,330	1,734	2,101	2,552	2,878	3,610
19	0,688	1,328	1,729	2,093	2,539	2,861	3,579
20	0,687	1,325	1,725	2,086	2,528	2,845	3,552
21	0,686	1,323	1,725	2,086	2,528	2,845	3,552

22	0,686	1,321	1,717	2,074	2,508	2,819	3,505
23	0,685	1,319	1,714	2,069	2,500	2,807	3,485
24	0,685	1,318	1,711	2,064	2,492	2,797	3,467
25	0,684	1,316	1,708	2,060	2,485	2,787	3,450
26	0,684	1,315	1,706	2,056	2,479	2,779	3,435
27	0,684	1,314	1,703	2,052	2,473	2,771	3,421
28	0,683	1,313	1,701	2,048	2,467	2,763	3,408
29	0,683	1,311	1,699	2,045	2,462	2,756	3,396
30	0,683	1,310	1,697	2,042	2,457	2,750	3,385
40	0,681	1,303	1,684	2,021	2,423	2,704	3,307
60	0,679	1,296	1,671	2,000	2,390	2,660	3,232
120	0,677	1,289	1,658	1,980	2,358	2,167	3,160
∞	0,674	1,282	1,645	1,960	2,326	2,576	3,090

No				Keterangan

KARTU JAM HADIR

Tanggal	Keterangan	Jam Masuk	Jam Pulang	Paraf
1				
2				
3				
4				
5				
6				
7				
8				
9				
10				
11				
12				
13				
14				
15				
16				
17				
18				
19				
20				
21				
22				
23				
24				
25				
26				
27				
28				
29				
30				
31				

RIWAYAT HIDUP

Nama Lengkap : KRISTIAN

Alamat : Jl. Jend. A. Yani No. 136 RT. 03/RW. 03 Cikampek 41373

Telepon : 081931261797

Tempat tanggal lahir : Karawang, 13 Maret 1984

Jenis Kelamin : Laki-laki

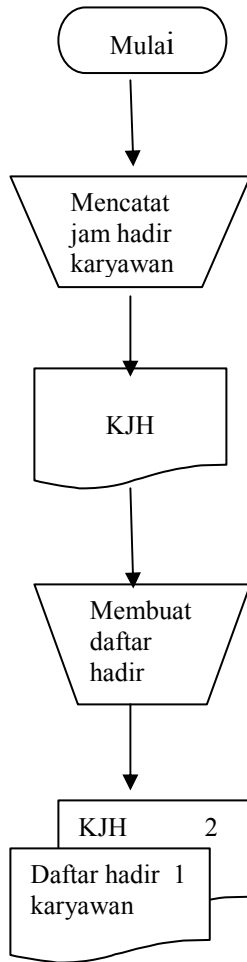
Agama : Kristen Protestan

Pendidikan : TK Pelita Bethel Cikampek (1988-1990)
SD Pelita Bethel Cikampek (1990-1996)
SLTPN 2 Cikampek (1996-1999)
SMU Yos Sudarso Karawang (1999-2002)
Universitas Kristen Maranatha Bandung (2002-2007)

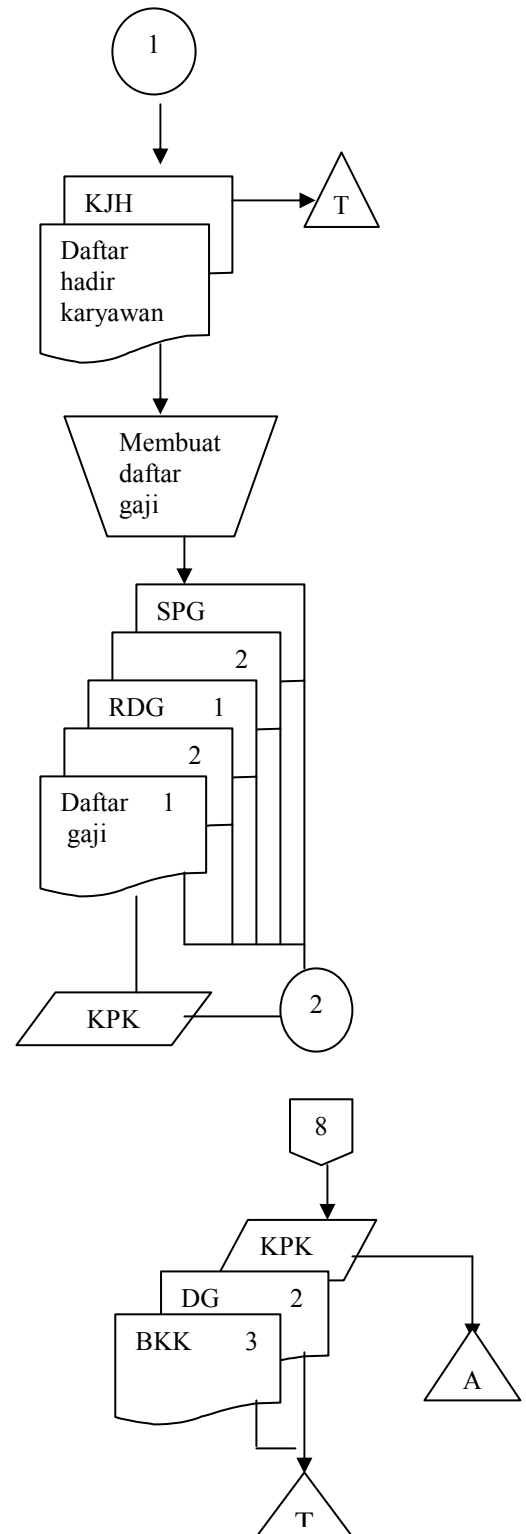
Lampiran 3

Flow chart prosedur penggajian menurut Mulyadi

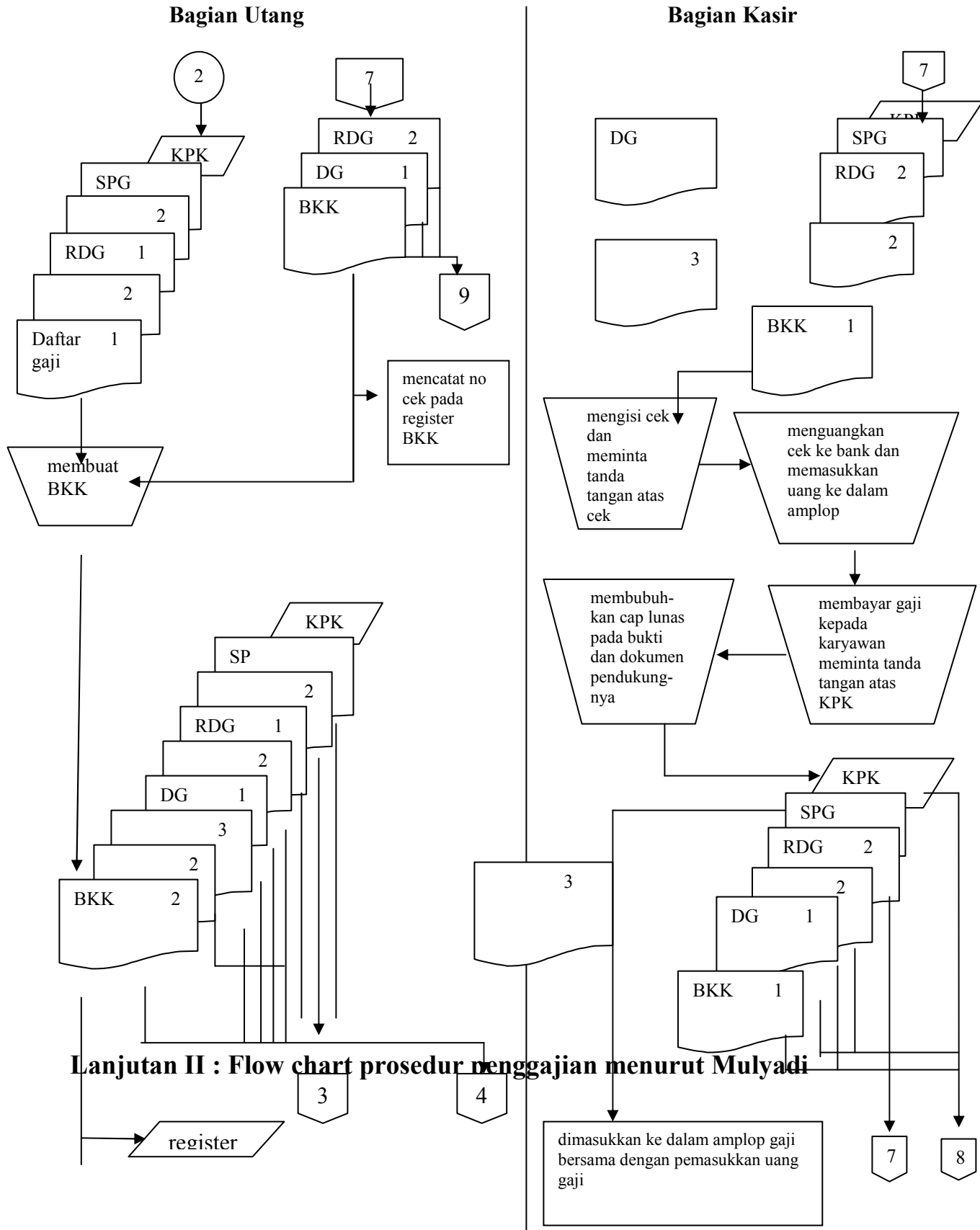
Bagian pencatat Waktu



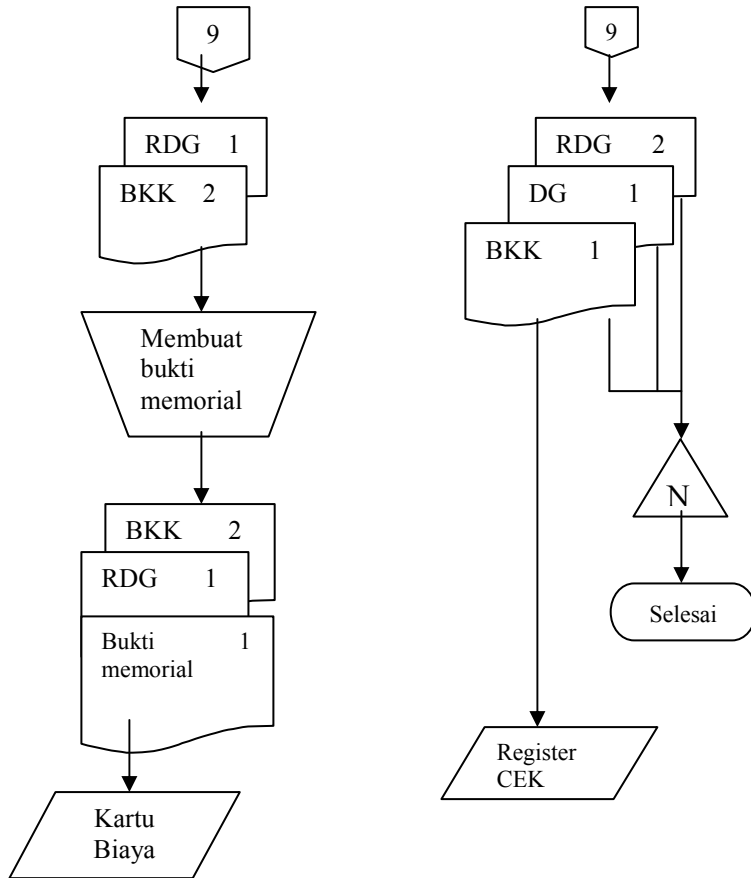
Bagian Gaji dan Upah



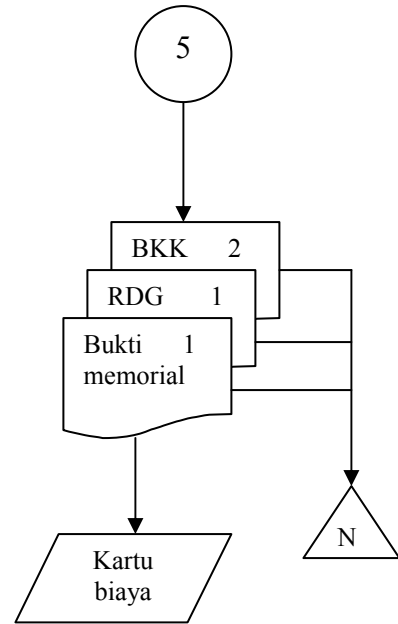
Lanjutan I : Flow chart prosedur penggajian menurut Mulyadi



**Bagian Jurnal, Buku besar,
dan Laporan**



**Bagian kartu persediaan
dan Biaya**



Keterangan :

KPK = Kartu Penghasilan Karyawan

KJH = Kartu Jam Hadir

RGD = Rekap Daftar Gaji

SPG = Surat Pernyataan Gaji

DG = Daftar Gaji

SP = Surat Pemberitahuan

BKK = Bukti Kas Keluar

Lampiran 2 Flowchart Prosedur Penggajian

