

LAMPIRAN A

PROGRAM BLOK *DIAL-UP* PADA PLC MODICON M340 DENGAN SOFTWARE UNITY PRO-XL

TECHNICAL DOCUMENTATION

Station

Project	Station
Designer	
Application	<No name>.stu
Software Version	Unity Pro XL V3.0
Creation Date	Unknown
Last Modification Date	Unknown
Target PLC	BMX P34 2020 01.00CPU 340-20 Modbus Ethernet

0 : BMX XBP 0400

Slot	Family	Reference
(P)	Supply	BMX CPS 2000
0	Modicon M340	BMX P34 2020
1	Discrete	BMX DDM 16022

0.0 : BMX P34 2020

Module identification:

Product reference	: BMX P34 2020	Designation	: CPU 340-20 Modbus E>>
Address	: 0.0	Symbol	:

Operating mode

Input run/stop	: No
Memory Protect	: No
Start Auto/Run	: No
Reset MWi	: Yes

Data

Number of bits	: 512
Number of words	: 1024
Number of constants	: 256
Number of system bits	: 128
Number of system words	: 168

Channel 0 :

Application-specific function	: Modbus link		
Channel type	: Integrated channel		
Symbol	: serial_port		
Task	: MAST		
Type	: Slave		
Transmission Speed	: 9600 bits/s	Data	: 8 bits
Stop	: 1 bit	Parity	: None
Delay Between Characters	: 4 ms		
Slave Number	: 1		
Physical line	: RS232	Signals	: RX/TX

Channel 3 :

Application-specific function	: ETH TCP IP
Channel type	: Integrated channel
Net link	: Ethernet_1
Task	: MAST

0.1 : BMX DDM 16022

Module identification:

Product reference : BMX DDM 16022 Designation : Dig 8I 24 Vdc 8Q So>>
 Address : 0.1 Symbol :

Common parameters [0-7]

Supply monitoring : Active
 Task : MAST

Input channel parameters [0-7]

Channel	Address	Symbol
0	%IO.1.0.0	
1	%IO.1.1.0	
2	%IO.1.2.0	
3	%IO.1.3.0	
4	%IO.1.4.0	
5	%IO.1.5.0	
6	%IO.1.6.0	
7	%IO.1.7.0	

Common parameters [16-23]

Task : MAST
 Supply monitoring : Active
 Reactivate : Programmed
 Fallback Mode : Fallback

Output channel parameters [16-23]

Channel	Address	Symbol	Fall. Value
0	%Q0.1.16.0		0
1	%Q0.1.17.0		0
2	%Q0.1.18.0		0
3	%Q0.1.19.0		0
4	%Q0.1.20.0		0
5	%Q0.1.21.0		0
6	%Q0.1.22.0		0
7	%Q0.1.23.0		0

HungUp

Properties:

Version:0.11

Descriptive file:

<inputs>:

Name	Type	Value	Comment
hung up	BOOL		

<outputs>:

Name	Type	Value	Comment
string ok	string[25]		

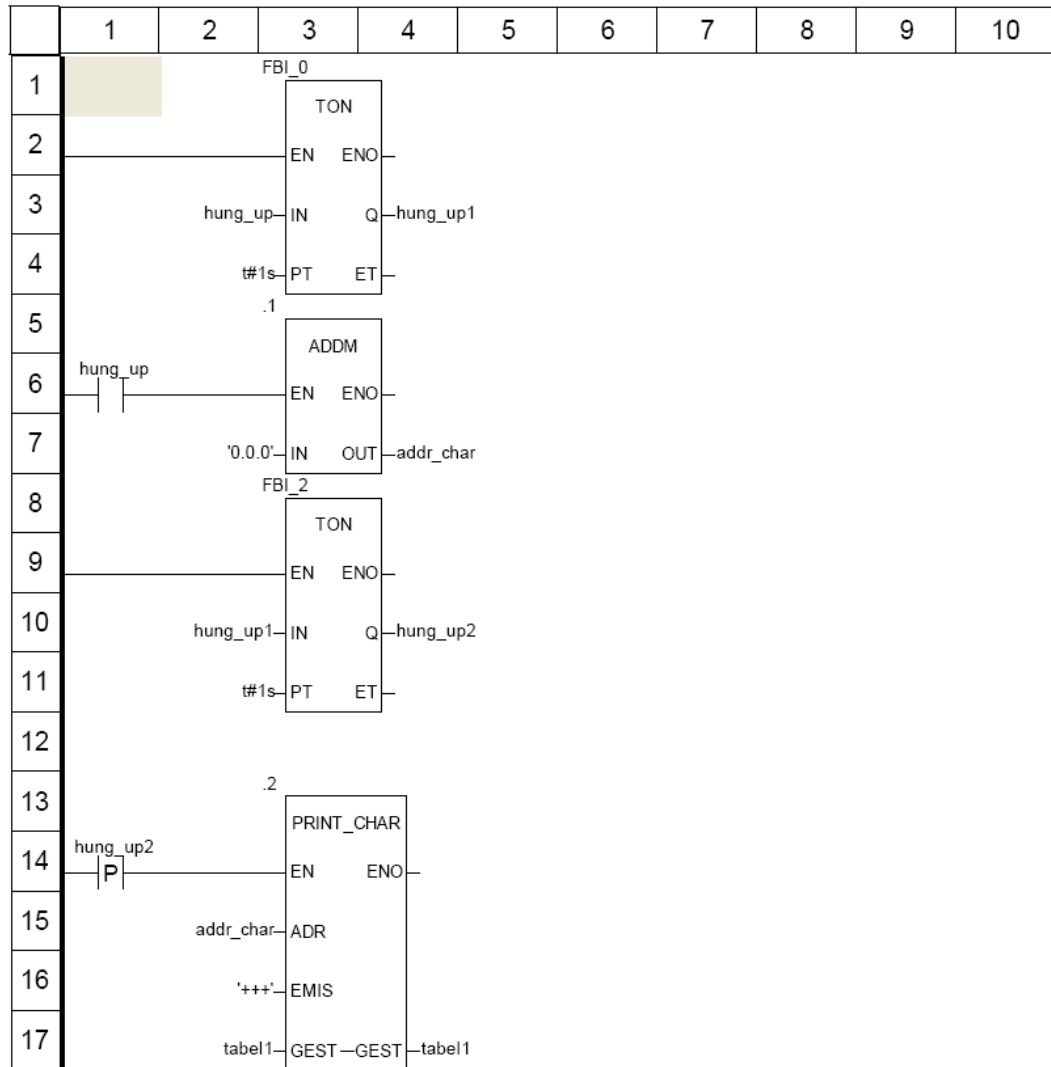
<inputs/outputs>:

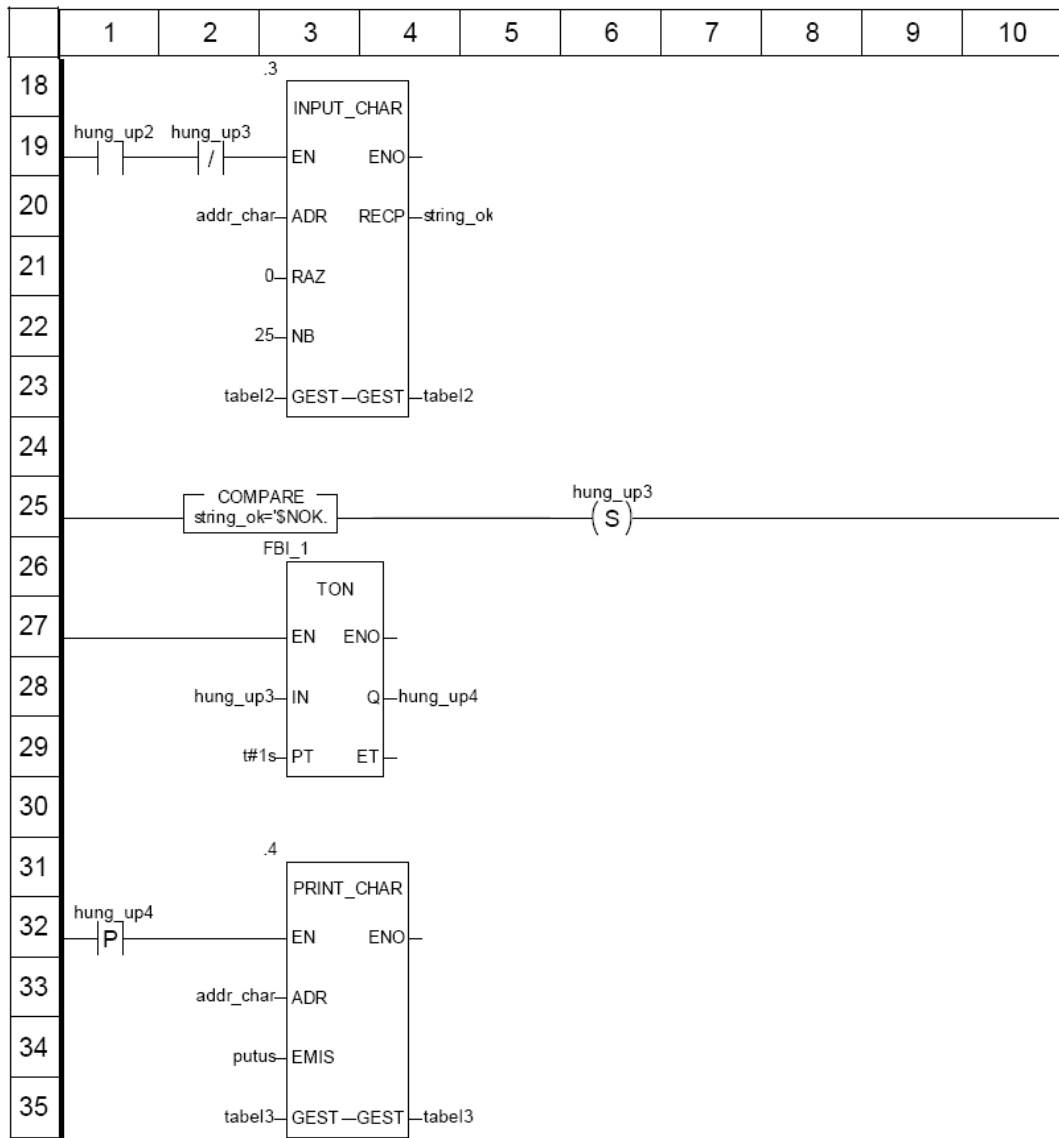
None

<public>:

None

HungUp <DFB> : [HungUp]





ReadWrite

Properties:

Version:0.11

Descriptive file:

<inputs>:

Name	Type	Value	Comment
set_modbus	BOOL		
read_obj	STRING		
read_num	DINT		
read_nb	INT		
write_obj	STRING		
write_num	DINT		
write_nb	INT		
write_data	ARRAY[1..7] OF INT		
write_data[1]	INT		
write_data[2]	INT		
write_data[3]	INT		
write_data[4]	INT		
write_data[5]	INT		
write_data[6]	INT		
write_data[7]	INT		

<outputs>:

Name	Type	Value	Comment
read_data	ARRAY[1..10] OF INT		
read_data[1]	INT		
read_data[2]	INT		
read_data[3]	INT		
read_data[4]	INT		
read_data[5]	INT		
read_data[6]	INT		
read_data[7]	INT		
read_data[8]	INT		
read_data[9]	INT		
read_data[10]	INT		

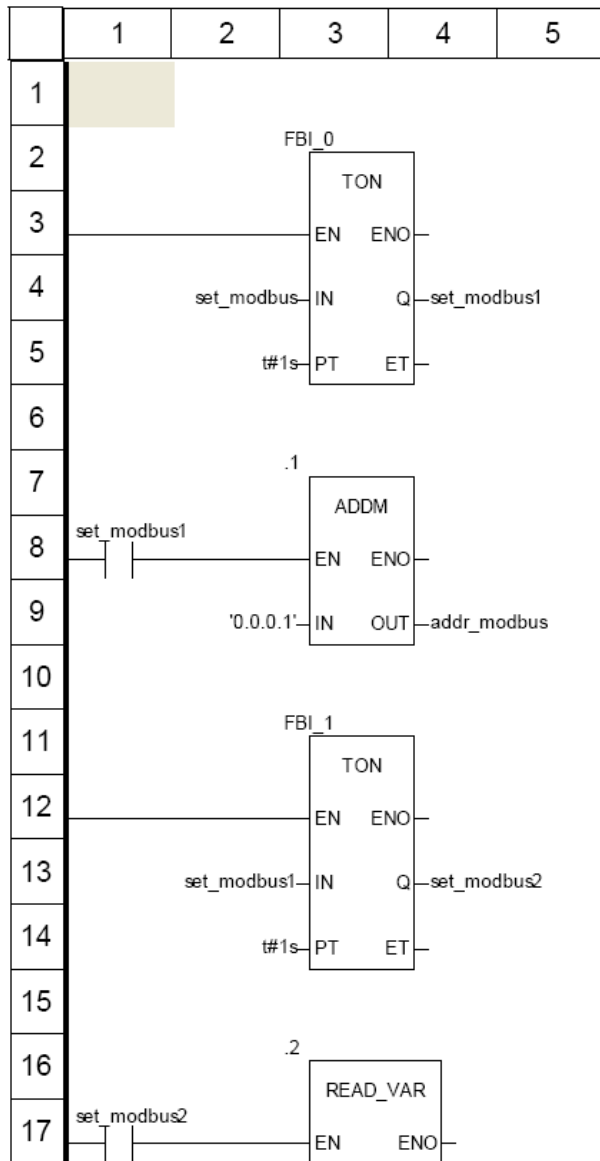
<inputs/outputs>:

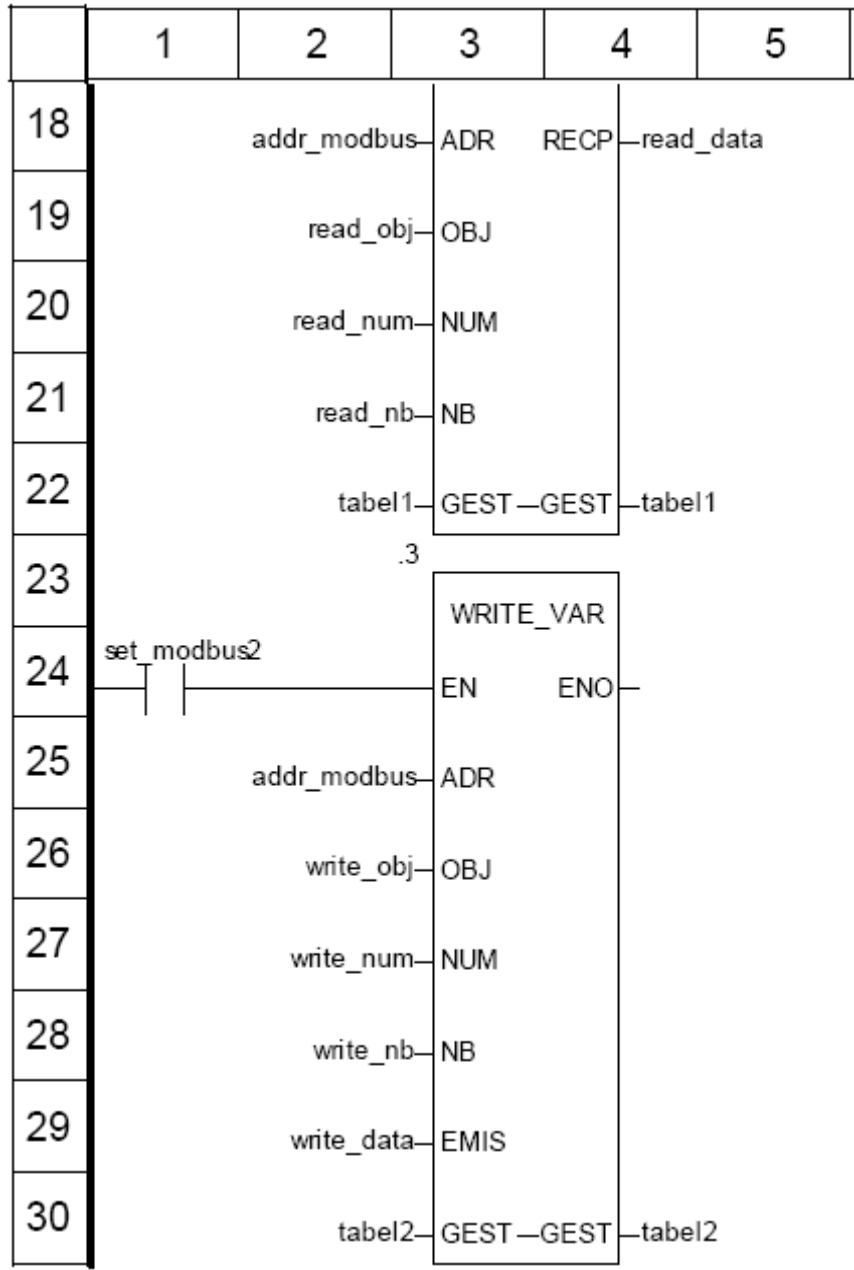
None

<public>:

None

ReadWrite <DFB> : [ReadWrite]





dial_up

Properties:

Version:0.13

Descriptive file:**<inputs>:**

Name	Type	Value	Comment
nomor_telepon	STRING		
dial	BOOL		

<outputs>:

Name	Type	Value	Comment
string_connect	string[25]		
set_modbus	BOOL		

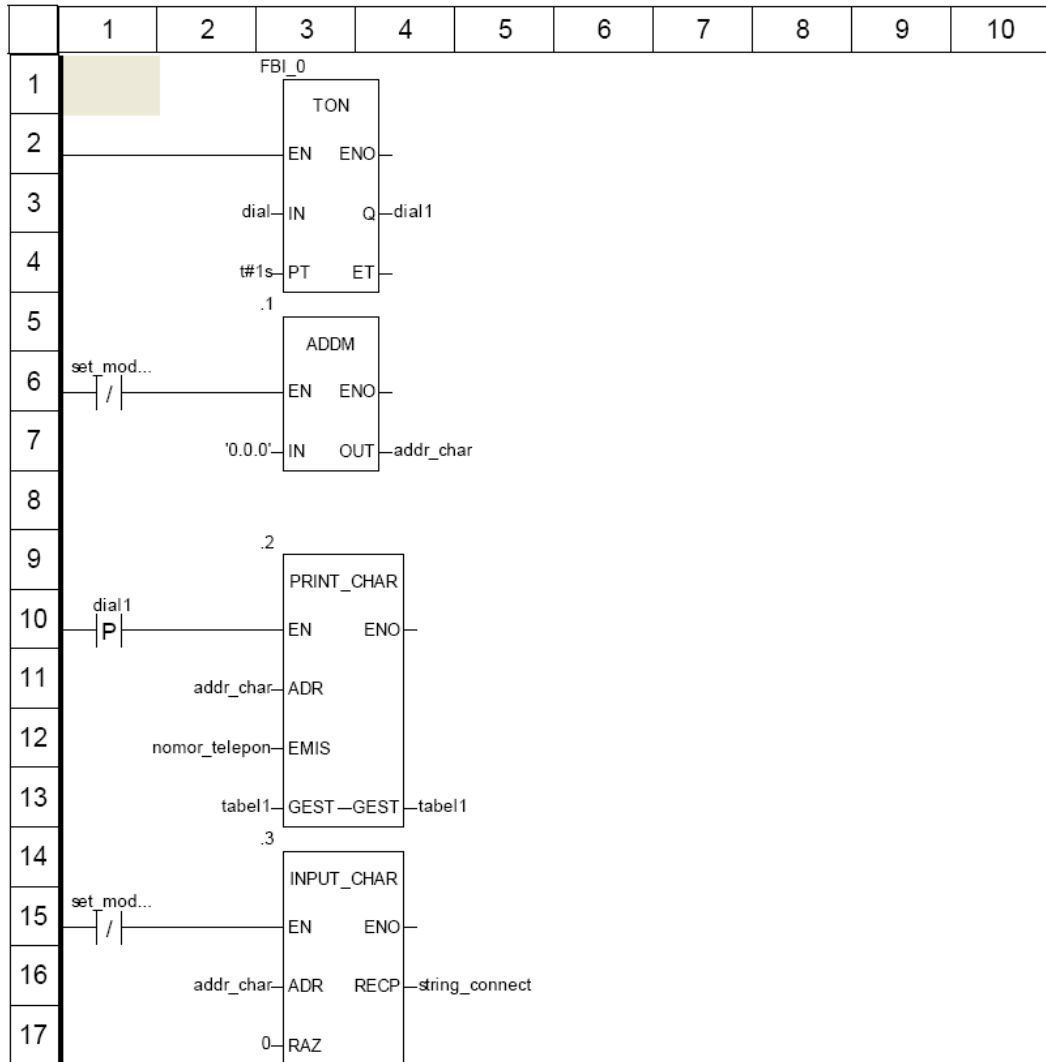
<inputs/outputs>:

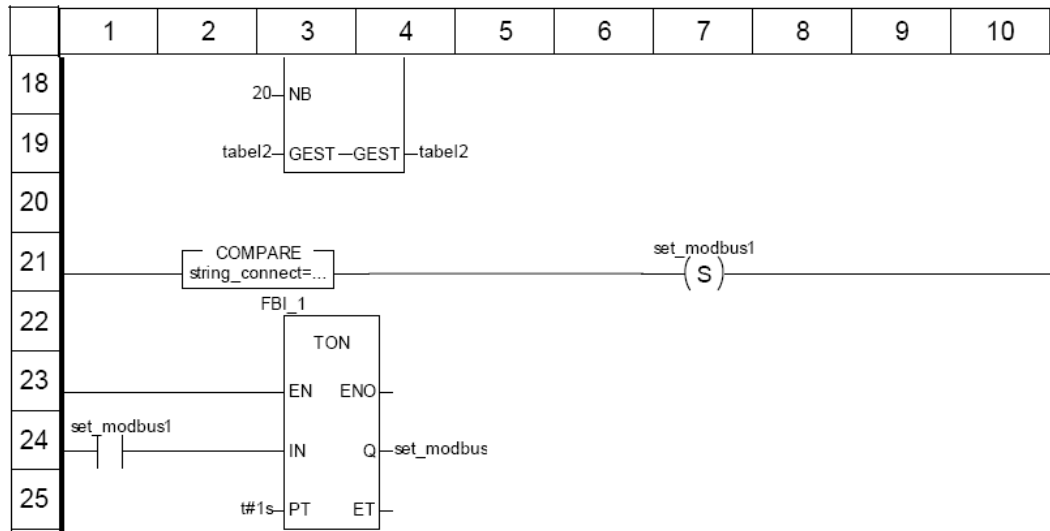
None

<public>:

None

dialUp <DFB> : [dial_up]





NetWork type: Ethernet Family: Name: Ethernet_1
Ethernet_Micro_Basic_Embedded
Comment:
Attached network : YES Adress module: \0.0\0.0.3

IP Configuration

IP address configuration : Configured

IP address: 192.168.0.3
Subnetwork mask: 255.255.255.0
Gateway address: 0.0.0.0

Ethernet configuration : Ethernet II

Messaging

Connection configuration

Access control: Disable

Ethernet SNMP

IP address managers

IP address Manager 1: 0.0.0.0 IP address Manager 2: 0.0.0.0

Agent

Location (SysLocation):

Contact (SysContact):

SNMP manager : Disable

Community names Set: public
 Get: public
 Trap: public

Security Enable Authentication Disable
Failure trap :

Bandwidth

Global Data Information 0 Estimated Global Data
 (/s)

Messaging information 0 Estimated Messaging
 (/s)

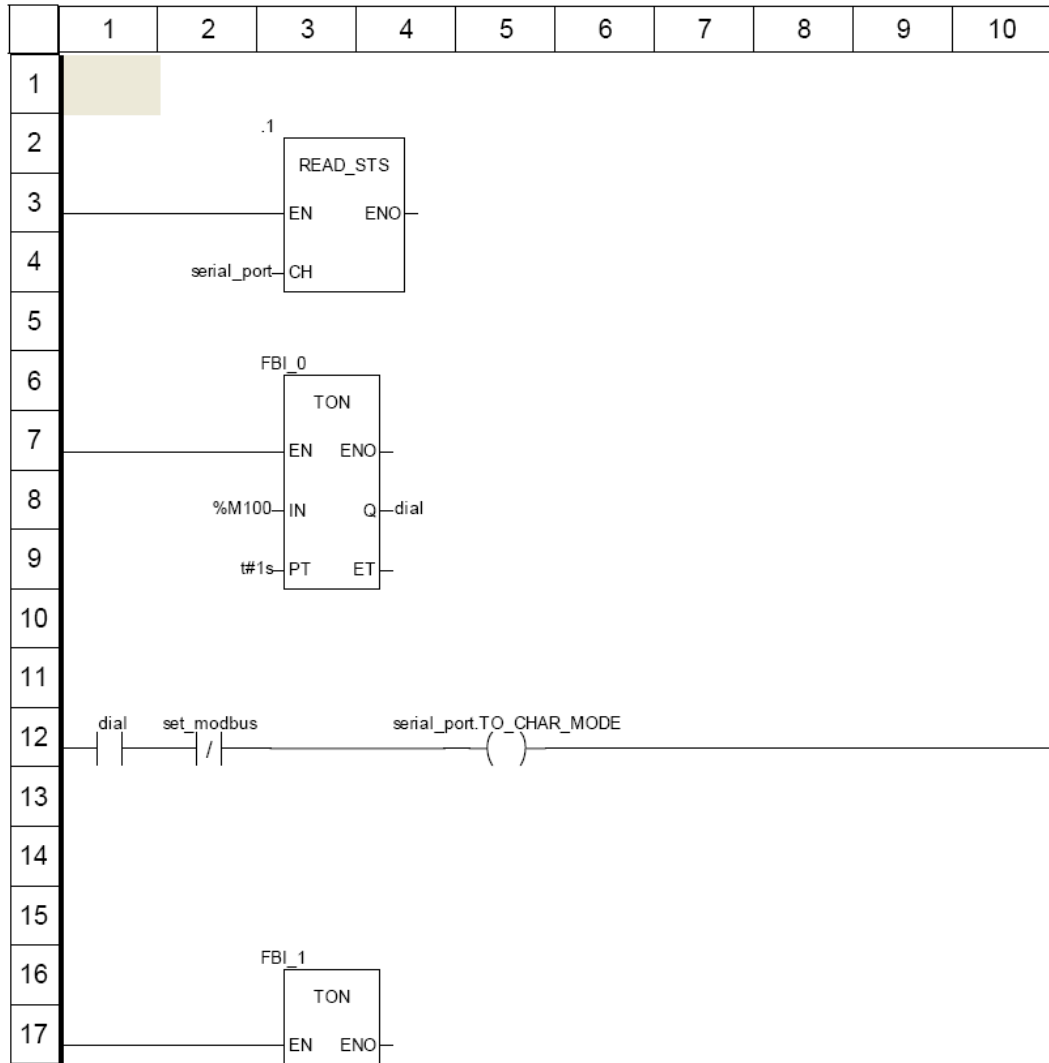
Ethernet Environment : 0

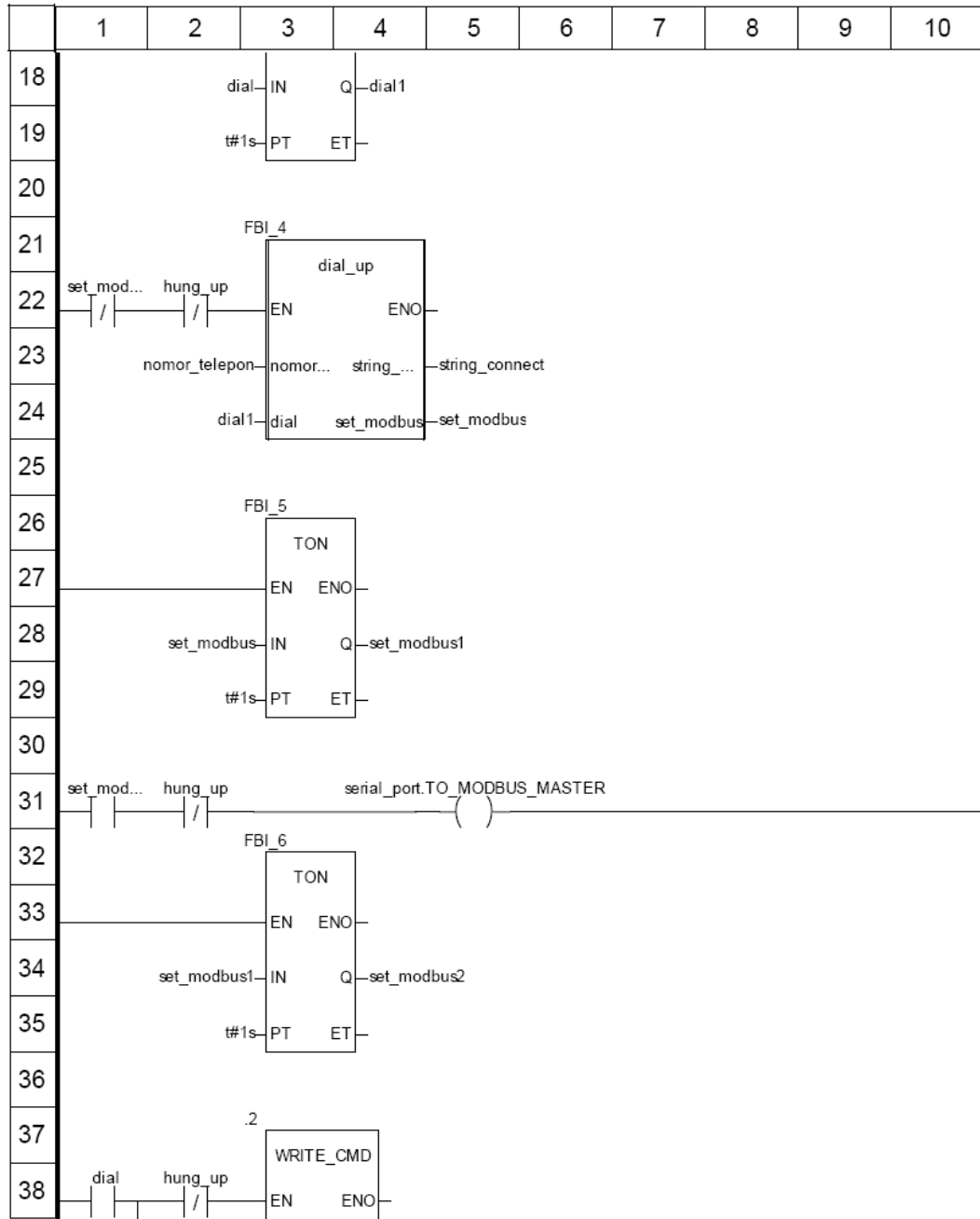
MAST

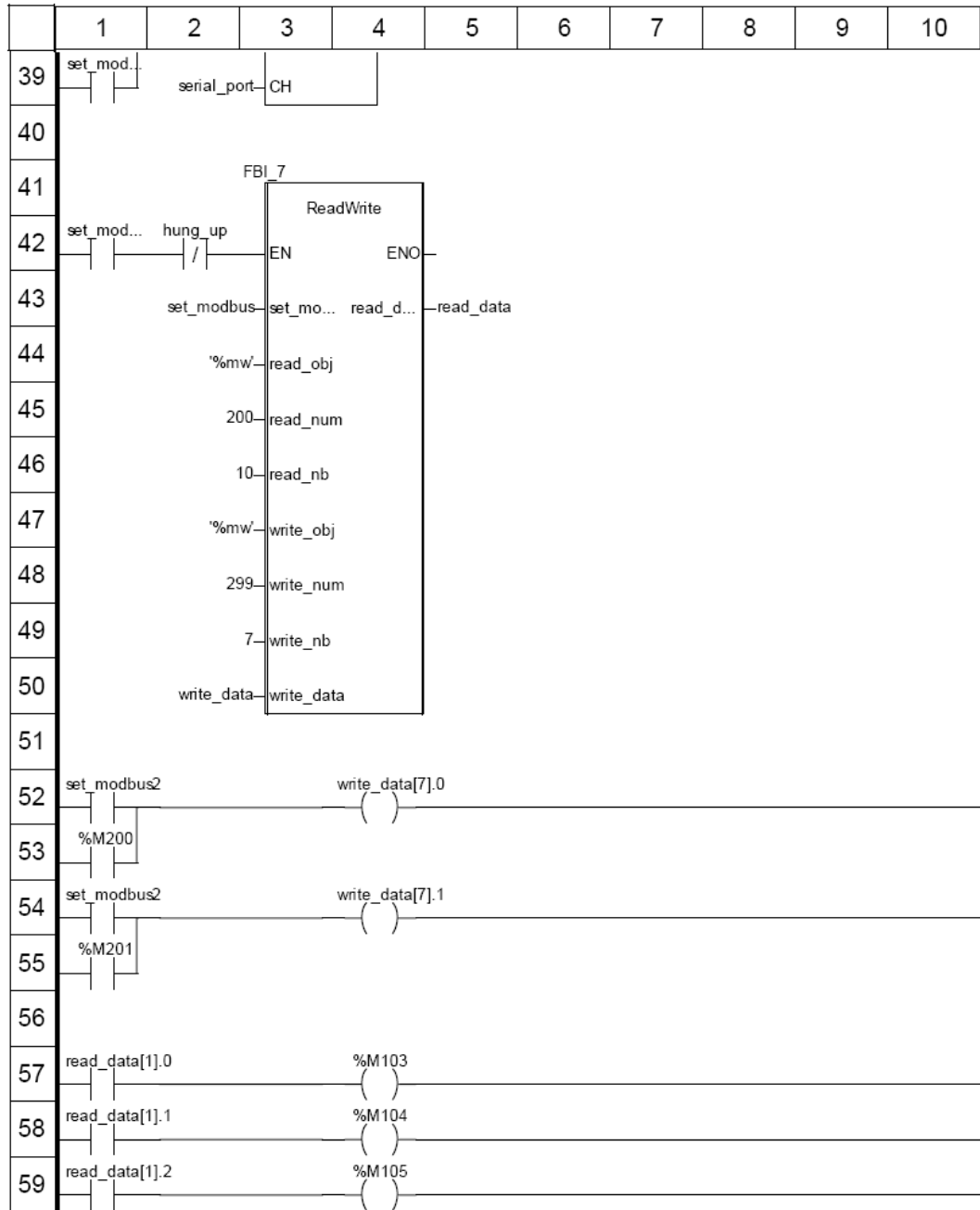
Specific properties

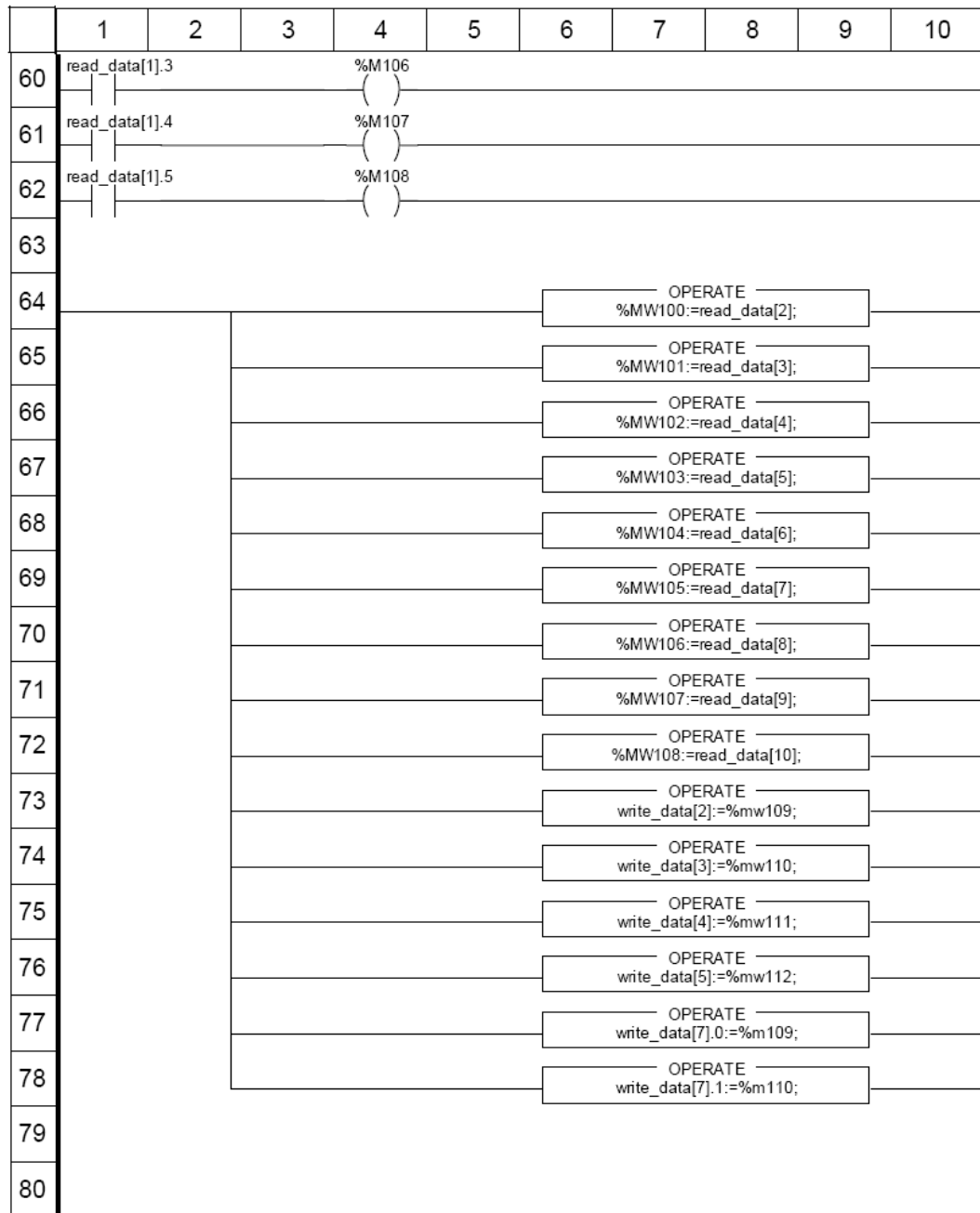
Configuration	Cyclic
Task period configuration	0
Watchdog time configuration	250

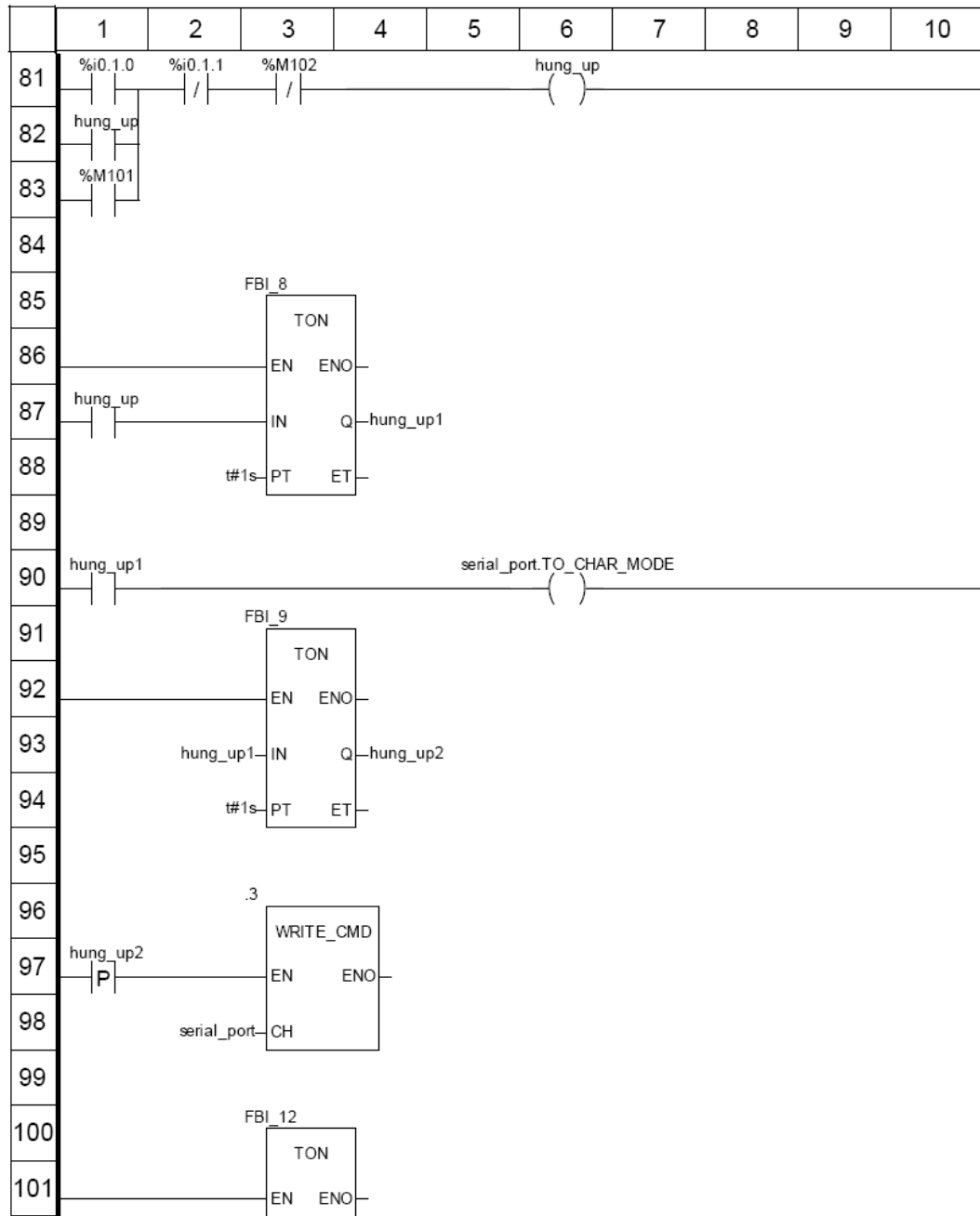
dial : [MAST]

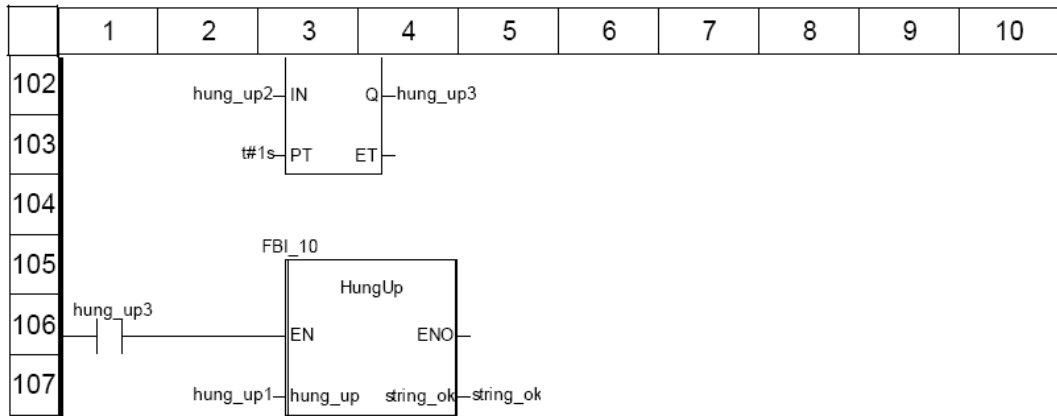












LAMPIRAN B

PROGRAM *PLANT* KONTROL TEMPERATUR PADA PLC TWIDO DENGAN *SOFTWARE* TWIDO SUITE



Memory objects configuration

PID configuration (PID)

PID 0 : configured

General			
Operating mode	: PID		
PID Status	: Inhibit		
Input			
Measure	: %IW2.0		
Conversion	: Inhibit	Min	: Max
Alarms	: Inhibit	Low	: Output
		High	: Output
PID			
Setpoint	: %MW100		
Kp	: %MW101	Ti	: %MW102
Sampling Period	: 1	Td	: %MW103
AT			
AT mode	: Inhibit	Limit	: Output
Output			
Action	: Reverse		
Limits	: Inhibit	Min	: Max
Manual mode	: Inhibit	Output	:
Output analog	: %MW105		
PWM	: Allow	Period	: 1
		Output	: %Q0.1

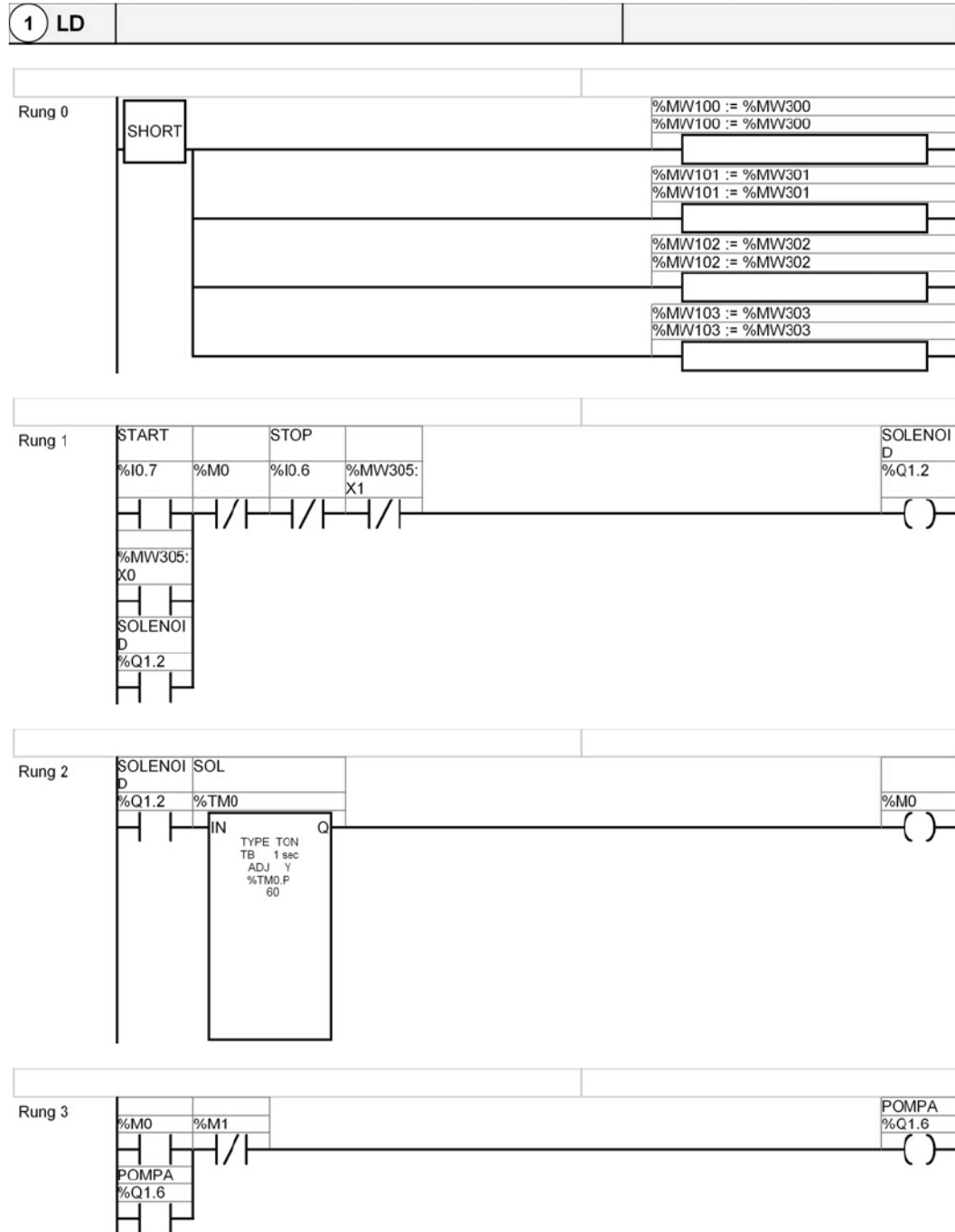
Configuration of external objects Comm

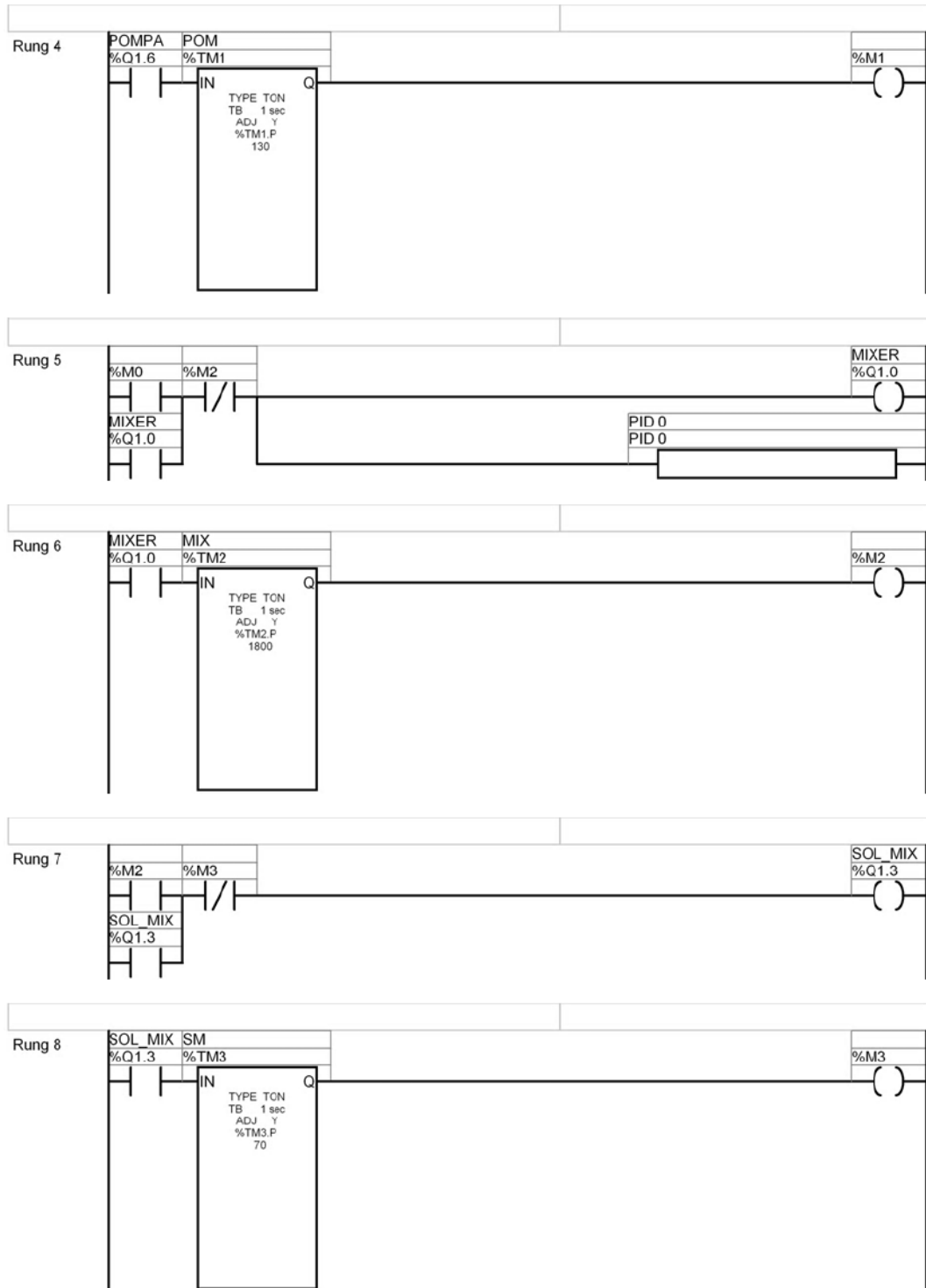
Configuration of external objects Drive

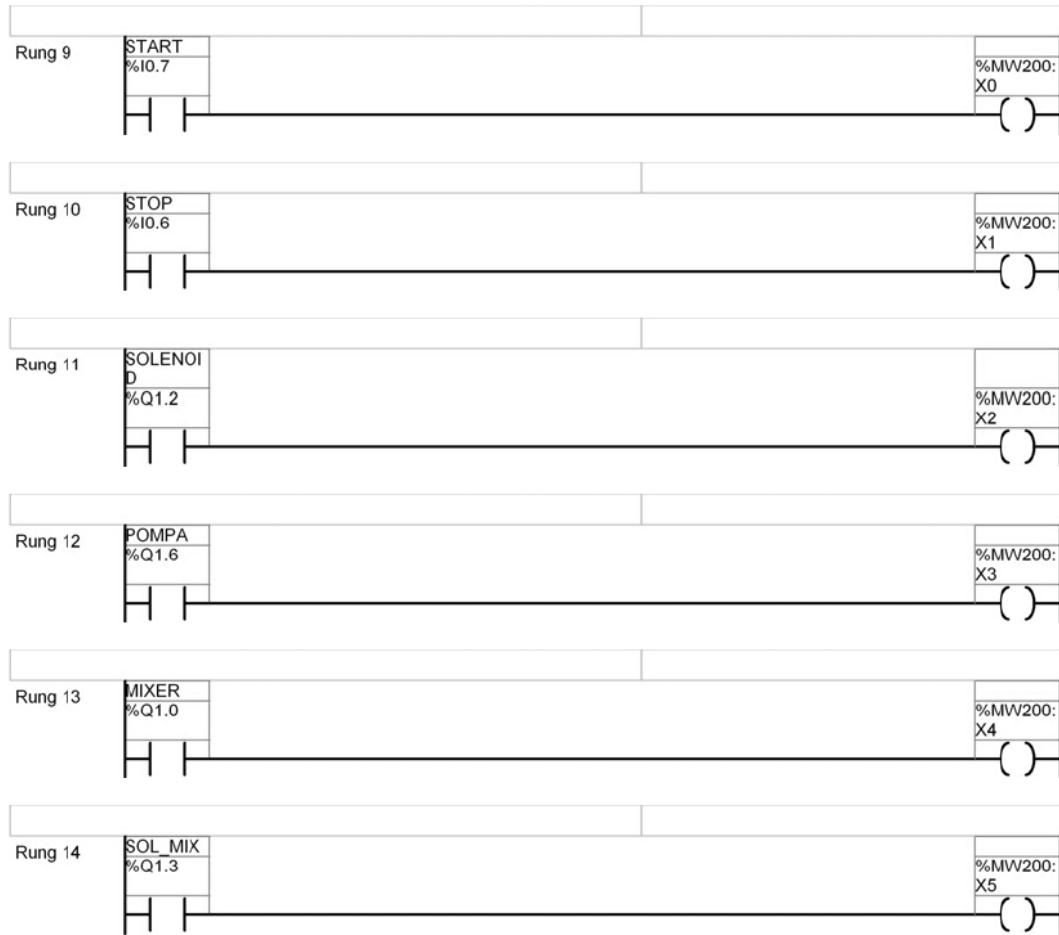
Configuration of external objects Tesys

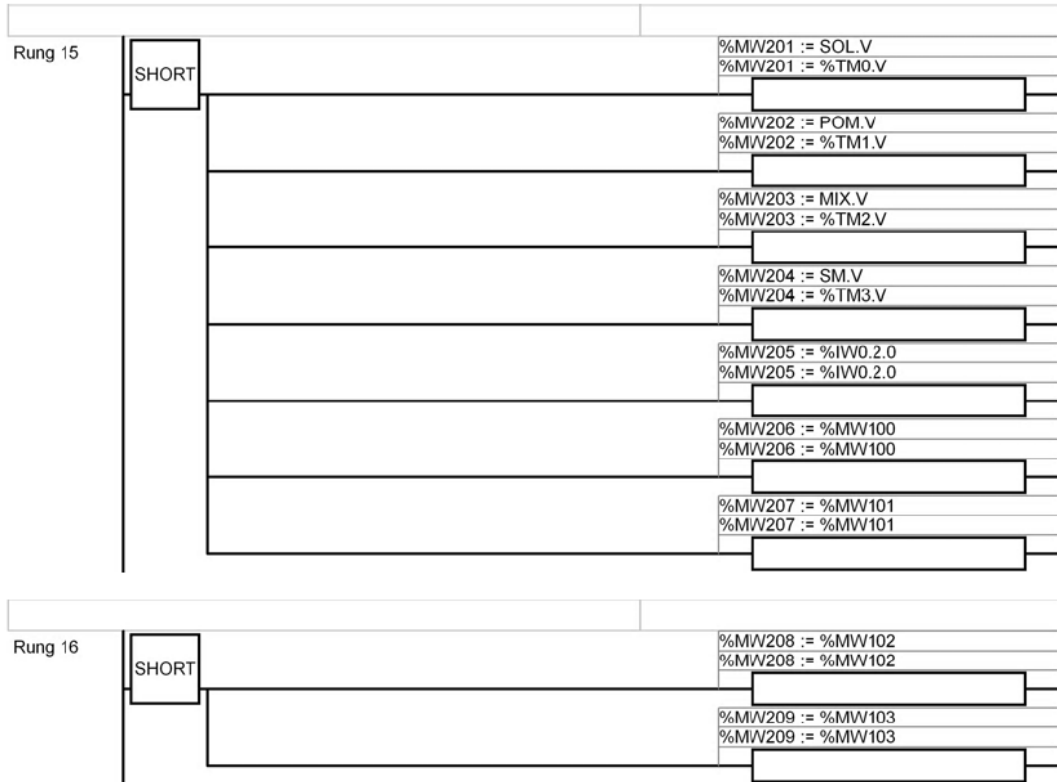
Configuration of external objects Advantys OTB

Program lists and diagrams









Symbols

Used	Address	Symbol	Comment
Yes	%TM2	MIX	
Yes	%Q1.0	MIXER	
Yes	%TM1	POM	
Yes	%Q1.6	POMPA	
Yes	%TM3	SM	
Yes	%TMO	SOL	
Yes	%Q1.2	SOLENOID	
Yes	%Q1.3	SOL_MIX	
Yes	%IO.7	START	
Yes	%IO.6	STOP	

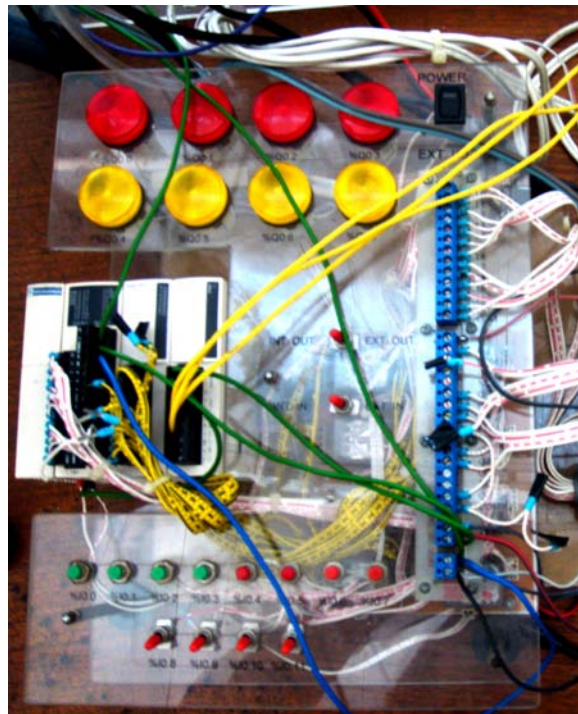
LAMPIRAN C

**GAMBAR PLC MODICON M340, PLC TWIDO,
PLANT KONTROL TEMPERATUR, DAN MODEM
FASTRACK**

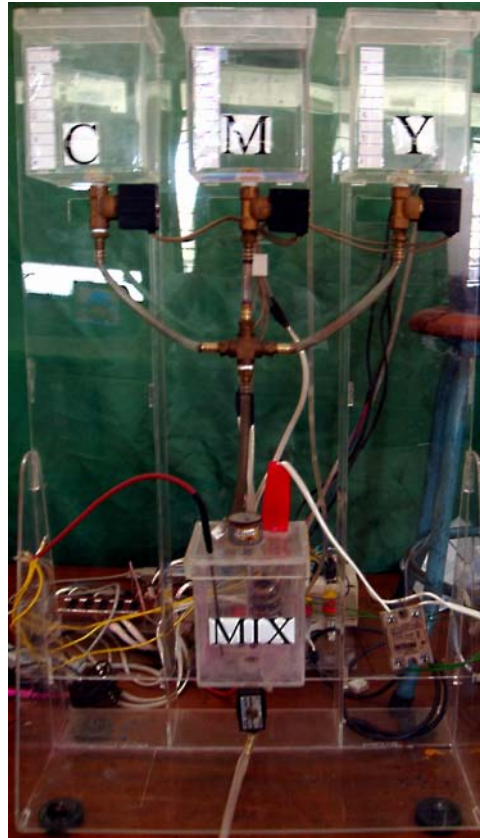
PLC MODICON M340



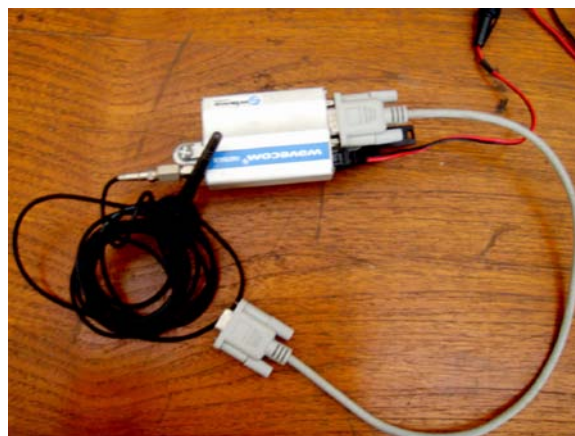
PLC TWIDO



PLANT KONTROL TEMPERATUR



MODEM FASTRACK



SISTEM KOMUNIKASI DIAL-UP

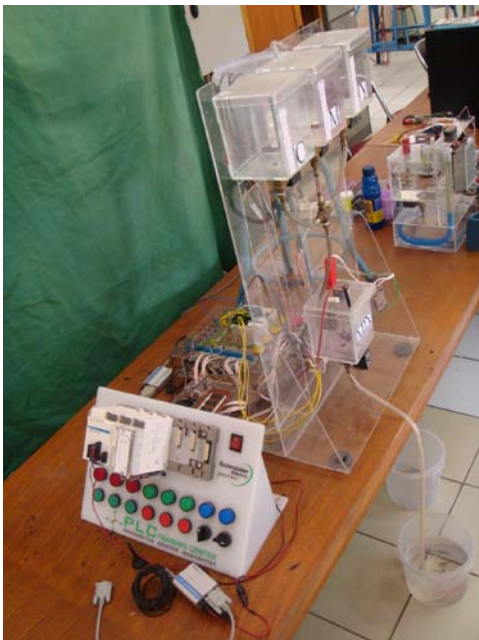
Tampak Depan



Tampak Belakang



Tampak Kiri



Tampak Kanan

