

LAMPIRAN A

List Program Codevision untuk ATmega16

/******

This program was produced by the

CodeWizardAVR V1.25.3 Professional

Automatic Program Generator

© Copyright 1998-2007 Pavel Haiduc, HP InfoTech s.r.l.

<http://www.hpinfotech.com>

Project :

Version :

Date : 1/31/2009

Author : F4CG

Company : F4CG

Comments:

Chip type : ATmega16

Program type : Application

Clock frequency : 11.059200 MHz

Memory model : Small

External SRAM size : 0

Data Stack size : 256

*****/

```
#include <mega16.h>
```

```
#include <delay.h>
```

```
#include <stdio.h>
```

```
#include <bus.h>
```

```
char text;
```

```
// External Interrupt 0 service routine
```

```
interrupt [EXT_INT0] void ext_int0_isr(void)
```

```

{
// Place your code here
text = decode_key();
}

// Declare your global variables here

void main(void)
{
// Declare your local variables here

// Input/Output Ports initialization
// Port A initialization
// Func7=In Func6=In Func5=In Func4=In Func3=In Func2=In Func1=In Func0=In
// State7=T State6=T State5=T State4=T State3=T State2=T State1=T State0=T
PORTA=0x00;
DDRA=0x00;

// Port B initialization
// Func7=In Func6=In Func5=In Func4=In Func3=In Func2=In Func1=In Func0=In
// State7=T State6=T State5=T State4=T State3=T State2=T State1=T State0=T
PORTB=0x00;
DDRB=0x00;

// Port C initialization
// Func7=In Func6=In Func5=In Func4=In Func3=In Func2=In Func1=In Func0=In
// State7=T State6=T State5=T State4=T State3=T State2=T State1=T State0=T
PORTC=0x00;
DDRC=0x00;

// Port D initialization
// Func7=In Func6=In Func5=In Func4=In Func3=In Func2=In Func1=In Func0=In
// State7=T State6=T State5=T State4=T State3=T State2=T State1=T State0=T

```

```
PORTD=0x00;
DDRD=0x00;

// Timer/Counter 0 initialization
// Clock source: System Clock
// Clock value: Timer 0 Stopped
// Mode: Normal top=FFh
// OC0 output: Disconnected
TCCR0=0x00;
TCNT0=0x00;
OCR0=0x00;

// Timer/Counter 1 initialization
// Clock source: System Clock
// Clock value: Timer 1 Stopped
// Mode: Normal top=FFFh
// OC1A output: Discon.
// OC1B output: Discon.
// Noise Canceler: Off
// Input Capture on Falling Edge
// Timer 1 Overflow Interrupt: Off
// Input Capture Interrupt: Off
// Compare A Match Interrupt: Off
// Compare B Match Interrupt: Off
TCCR1A=0x00;
TCCR1B=0x00;
TCNT1H=0x00;
TCNT1L=0x00;
ICR1H=0x00;
ICR1L=0x00;
OCR1AH=0x00;
OCR1AL=0x00;
OCR1BH=0x00;
OCR1BL=0x00;
```

```
// Timer/Counter 2 initialization
// Clock source: System Clock
// Clock value: Timer 2 Stopped
// Mode: Normal top=FFh
// OC2 output: Disconnected
ASSR=0x00;
TCCR2=0x00;
TCNT2=0x00;
OCR2=0x00;

// External Interrupt(s) initialization
// INT0: On
// INT0 Mode: Falling Edge
// INT1: Off
// INT2: Off
GICR|=0x40;
MCUCR=0x02;
MCUCSR=0x00;
GIFR=0x40;

// Timer(s)/Counter(s) Interrupt(s) initialization
TIMSK=0x00;

// USART initialization
// Communication Parameters: 8 Data, 1 Stop, No Parity
// USART Receiver: On
// USART Transmitter: On
// USART Mode: Asynchronous
// USART Baud rate: 1200
UCSRA=0x00;
UCSRB=0x18;
UCSRC=0x86;
UBRRH=0x02;
```

```

UBRR1=0x3F;

// Analog Comparator initialization
// Analog Comparator: Off
// Analog Comparator Input Capture by Timer/Counter 1: Off
ACSR=0x80;
SFOR=0x00;

// Global enable interrupts
#asm("sei")

while (1)
{
    // Place your code here
    delay_ms(100);
};
}
#include <delay.h>

int data_kb;
int wq;
int ix;
int count;
char index,c;
char key_pressed;
char status;
int keyboard_data;
char key_loop;
char pindata[12]={0,0,1,2,4,8,16,32,64,128,0,0};
int pointer;

int decode_key(void)
{
    count ++;

```

```
if(PIND.3 == 1)
{
    data_kb = data_kb + pindata[count];
}
if(count==11)
{
    keyboard_data = data_kb;
    data_kb=0;
    count=0;
    switch (keyboard_data)
    {
case 69:
key_pressed = '0';
break;

case 22:
key_pressed = '1';
break;

case 30:
key_pressed = '2';
break;

case 38:
key_pressed = '3';
break;

case 37:
key_pressed = '4';
break;

case 46:
key_pressed = '5';
break;
```

case 54:

key_pressed = '6';

break;

case 61:

key_pressed = '7';

break;

case 62:

key_pressed = '8';

break;

case 70:

key_pressed = '9';

break;

case 28:

key_pressed = 'a';

break;

case 50:

key_pressed = 'b';

break;

case 33:

key_pressed = 'c';

break;

case 35:

key_pressed = 'd';

break;

case 36:


```
key_pressed = 'e';
```

```
break;
```

```
case 43:
```

```
key_pressed = 'f';
```

```
break;
```

```
case 52:
```

```
key_pressed = 'g';
```

```
break;
```

```
case 51:
```

```
key_pressed = 'h';
```

```
break;
```

```
case 67:
```

```
key_pressed = 'i';
```

```
break;
```

```
case 59:
```

```
key_pressed = 'j';
```

```
break;
```

```
case 66:
```

```
key_pressed = 'k';
```

```
break;
```

```
case 75:
```

```
key_pressed = 'l';
```

```
break;
```

```
case 58:
```

```
key_pressed = 'm';
```

```
break;
```

case 49:

key_pressed = 'n';

break;

case 68:

key_pressed = 'o';

break;

case 77:

key_pressed = 'p';

break;

case 21:

key_pressed = 'q';

break;

case 45:

key_pressed = 'r';

break;

case 27:

key_pressed = 's';

break;

case 44:

key_pressed = 't';

break;

case 60:

key_pressed = 'u';

break;

case 42:

```
key_pressed = 'v';
```

```
break;
```

```
case 29:
```

```
key_pressed = 'w';
```

```
break;
```

```
case 34:
```

```
key_pressed = 'x';
```

```
break;
```

```
case 53:
```

```
key_pressed = 'y';
```

```
break;
```

```
case 26:
```

```
key_pressed = 'z';
```

```
break;
```

```
case 78:
```

```
key_pressed = '-';
```

```
break;
```

```
case 85:
```

```
key_pressed = '=';
```

```
break;
```

```
case 84:
```

```
key_pressed = '[';
```

```
break;
```

```
case 91:
```

```
key_pressed = ']';
```

```
break;
```

case 76:

key_pressed = '!';

break;

case 65:

key_pressed = '!';

break;

case 73:

key_pressed = '!';

break;

case 74:

key_pressed = '/';

break;

case 121:

key_pressed = '+';

break;

case 124:

key_pressed = '*';

break;

case 102:

key_pressed = ";

break;

case 41:

key_pressed = '!';

break;

case 0x5A:

```

pointer=0;
break;

};

c++;
if(c>2)
{
putchar(key_pressed);
c=0;
}
}
return 0;
}

```

List Program untuk ATmega8 (TV Terminal)

+00000000:	C330	RJMP	PC+0x0331	Relative jump
+00000001:	FFFF	???		Data or unknown opcode
+00000002:	FFFF	???		Data or unknown opcode
+00000003:	C547	RJMP	PC+0x0548	Relative jump
+00000004:	FFFF	???		Data or unknown opcode
+00000005:	FFFF	???		Data or unknown opcode
+00000006:	FFFF	???		Data or unknown opcode
+00000007:	B75F	IN	R21,0x3F	In from I/O location
+00000008:	935F	PUSH	R21	Push register on stack
+00000009:	93EF	PUSH	R30	Push register on stack
+0000000A:	93FF	PUSH	R31	Push register on stack
+0000000B:	2399	TST	R25	Test for Zero or Minus
+0000000C:	F0A2	BRMI	PC+0x15	Branch if minus

+000000D:	9563	INC	R22	Increment
+000000E:	3567	CPI	R22,0x57	Compare with immediate
+000000F:	F069	BREQ	PC+0x0E	Branch if equal
+0000010:	3263	CPI	R22,0x23	Compare with immediate
+0000011:	F039	BREQ	PC+0x08	Branch if equal
+0000012:	3266	CPI	R22,0x26	Compare with immediate
+0000013:	F421	BRNE	PC+0x05	Branch if not equal
+0000014:	EC52	LDI	R21,0xC2	Load immediate
+0000015:	BD5F	OUT	0x2F,R21	Out to I/O location
+0000016:	2D2F	MOV	R18,R15	Copy register
+0000017:	2D1E	MOV	R17,R14	Copy register
+0000018:	C311	RJMP	PC+0x0312	Relative jump
+0000019:	E852	LDI	R21,0x82	Load immediate
+000001A:	BD5F	OUT	0x2F,R21	Out to I/O location
+000001B:	9433	INC	R3	Increment
+000001C:	C30D	RJMP	PC+0x030E	Relative jump
+000001D:	2766	CLR	R22	Clear Register
+000001E:	2777	CLR	R23	Clear Register
+000001F:	6890	ORI	R25,0x80	Logical OR with immediate
+0000020:	C309	RJMP	PC+0x030A	Relative jump
+0000021:	E850	LDI	R21,0x80	Load immediate
+0000022:	2E95	MOV	R9,R21	Copy register
+0000023:	16A6	CP	R10,R22	Compare
+0000024:	F409	BRNE	PC+0x02	Branch if not equal
+0000025:	2C9B	MOV	R9,R11	Copy register
+0000026:	FAC6	BST	R12,6	Bit store from register to T
+0000027:	F40E	BRTC	PC+0x02	Branch if T flag cleared
+0000028:	F897	BLD	R9,7	Bit load from T to register
+0000029:	3078	CPI	R23,0x08	Compare with immediate
+000002A:	F009	BREQ	PC+0x02	Branch if equal
+000002B:	C046	RJMP	PC+0x0047	Relative jump
+000002C:	2FD2	MOV	R29,R18	Copy register
+000002D:	2FC1	MOV	R28,R17	Copy register
+000002E:	2755	CLR	R21	Clear Register

+000002F:	1559	CP	R21,R9	Compare
+0000030:	F131	BREQ	PC+0x27	Branch if equal
+0000031:	0000	NOP		No operation
+0000032:	0000	NOP		No operation
+0000033:	0000	NOP		No operation
+0000034:	0000	NOP		No operation
+0000035:	0000	NOP		No operation
+0000036:	0000	NOP		No operation
+0000037:	0000	NOP		No operation
+0000038:	0000	NOP		No operation
+0000039:	9139	LD	R19,Y+	Load indirect and postincrement
+000003A:	FF37	SBRS	R19,7	Skip if bit in register set
+000003B:	2733	CLR	R19	Clear Register
+000003C:	9184	LPM	R24,Z	Load program memory
+000003D:	BB35	OUT	0x15,R19	Out to I/O location
+000003E:	1F33	ROL	R19	Rotate Left Through Carry
+000003F:	9189	LD	R24,Y+	Load indirect and postincrement
+0000040:	0000	NOP		No operation
+0000041:	0000	NOP		No operation
+0000042:	0000	NOP		No operation
+0000043:	9553	INC	R21	Increment
+0000044:	3258	CPI	R21,0x28	Compare with immediate
+0000045:	F0B1	BREQ	PC+0x17	Branch if equal
+0000046:	0000	NOP		No operation
+0000047:	BB35	OUT	0x15,R19	Out to I/O location
+0000048:	1559	CP	R21,R9	Compare
+0000049:	F049	BREQ	PC+0x0A	Branch if equal
+000004A:	3880	CPI	R24,0x80	Compare with immediate
+000004B:	F022	BRMI	PC+0x05	Branch if minus
+000004C:	2F38	MOV	R19,R24	Copy register
+000004D:	0000	NOP		No operation
+000004E:	0000	NOP		No operation
+000004F:	CFED	RJMP	PC-0x0012	Relative jump
+0000050:	0000	NOP		No operation

+00000051:	2733	CLR	R19	Clear Register
+00000052:	CFEA	RJMP	PC-0x0015	Relative jump
+00000053:	FA34	BST	R3,4	Bit store from register to T
+00000054:	F935	BLD	R19,5	Bit load from T to register
+00000055:	F934	BLD	R19,4	Bit load from T to register
+00000056:	CFE6	RJMP	PC-0x0019	Relative jump
+00000057:	0000	NOP		No operation
+00000058:	0000	NOP		No operation
+00000059:	9139	LD	R19,Y+	Load indirect and postincrement
+0000005A:	0000	NOP		No operation
+0000005B:	CFF7	RJMP	PC-0x0008	Relative jump
+0000005C:	BB35	OUT	0x15,R19	Out to I/O location
+0000005D:	E258	LDI	R21,0x28	Load immediate
+0000005E:	0F15	ADD	R17,R21	Add without carry
+0000005F:	F408	BRCC	PC+0x02	Branch if carry cleared
+00000060:	9523	INC	R18	Increment
+00000061:	0000	NOP		No operation
+00000062:	0000	NOP		No operation
+00000063:	0000	NOP		No operation
+00000064:	98AD	CBI	0x15,5	Clear bit in I/O register
+00000065:	3418	CPI	R17,0x48	Compare with immediate
+00000066:	F421	BRNE	PC+0x05	Branch if not equal
+00000067:	3024	CPI	R18,0x04	Compare with immediate
+00000068:	F411	BRNE	PC+0x03	Branch if not equal
+00000069:	2722	CLR	R18	Clear Register
+0000006A:	E610	LDI	R17,0x60	Load immediate
+0000006B:	2777	CLR	R23	Clear Register
+0000006C:	9563	INC	R22	Increment
+0000006D:	3169	CPI	R22,0x19	Compare with immediate
+0000006E:	F411	BRNE	PC+0x03	Branch if not equal
+0000006F:	2766	CLR	R22	Clear Register
+00000070:	779F	ANDI	R25,0x7F	Logical AND with immediate
+00000071:	C2B8	RJMP	PC+0x02B9	Relative jump
+00000072:	0000	NOP		No operation

+00000073:	0000	NOP		No operation
+00000074:	0000	NOP		No operation
+00000075:	0000	NOP		No operation
+00000076:	0000	NOP		No operation
+00000077:	0000	NOP		No operation
+00000078:	E058	LDI	R21,0x08	Load immediate
+00000079:	2FD2	MOV	R29,R18	Copy register
+0000007A:	2FC1	MOV	R28,R17	Copy register
+0000007B:	9189	LD	R24,Y+	Load indirect and postincrement
+0000007C:	9F85	MUL	R24,R21	Multiply unsigned
+0000007D:	01F0	MOVW	R30,R0	Copy register pair
+0000007E:	61F0	ORI	R31,0x10	Logical OR with immediate
+0000007F:	0FE7	ADD	R30,R23	Add without carry
+00000080:	9134	LPM	R19,Z	Load program memory
+00000081:	BB35	OUT	0x15,R19	Out to I/O location
+00000082:	9189	LD	R24,Y+	Load indirect and postincrement
+00000083:	1F33	ROL	R19	Rotate Left Through Carry
+00000084:	BB35	OUT	0x15,R19	Out to I/O location
+00000085:	9F85	MUL	R24,R21	Multiply unsigned
+00000086:	1F33	ROL	R19	Rotate Left Through Carry
+00000087:	BB35	OUT	0x15,R19	Out to I/O location
+00000088:	01F0	MOVW	R30,R0	Copy register pair
+00000089:	1F33	ROL	R19	Rotate Left Through Carry
+0000008A:	BB35	OUT	0x15,R19	Out to I/O location
+0000008B:	61F0	ORI	R31,0x10	Logical OR with immediate
+0000008C:	1F33	ROL	R19	Rotate Left Through Carry
+0000008D:	BB35	OUT	0x15,R19	Out to I/O location
+0000008E:	0FE7	ADD	R30,R23	Add without carry
+0000008F:	1F33	ROL	R19	Rotate Left Through Carry
+00000090:	BB35	OUT	0x15,R19	Out to I/O location
+00000091:	9134	LPM	R19,Z	Load program memory
+00000092:	BB35	OUT	0x15,R19	Out to I/O location
+00000093:	9189	LD	R24,Y+	Load indirect and postincrement
+00000094:	1F33	ROL	R19	Rotate Left Through Carry

+00000095:	BB35	OUT	0x15,R19	Out to I/O location
+00000096:	9F85	MUL	R24,R21	Multiply unsigned
+00000097:	1F33	ROL	R19	Rotate Left Through Carry
+00000098:	BB35	OUT	0x15,R19	Out to I/O location
+00000099:	01F0	MOVW	R30,R0	Copy register pair
+0000009A:	1F33	ROL	R19	Rotate Left Through Carry
+0000009B:	BB35	OUT	0x15,R19	Out to I/O location
+0000009C:	61F0	ORI	R31,0x10	Logical OR with immediate
+0000009D:	1F33	ROL	R19	Rotate Left Through Carry
+0000009E:	BB35	OUT	0x15,R19	Out to I/O location
+0000009F:	0FE7	ADD	R30,R23	Add without carry
+000000A0:	1F33	ROL	R19	Rotate Left Through Carry
+000000A1:	BB35	OUT	0x15,R19	Out to I/O location
+000000A2:	9134	LPM	R19,Z	Load program memory
+000000A3:	BB35	OUT	0x15,R19	Out to I/O location
+000000A4:	9189	LD	R24,Y+	Load indirect and postincrement
+000000A5:	1F33	ROL	R19	Rotate Left Through Carry
+000000A6:	BB35	OUT	0x15,R19	Out to I/O location
+000000A7:	9F85	MUL	R24,R21	Multiply unsigned
+000000A8:	1F33	ROL	R19	Rotate Left Through Carry
+000000A9:	BB35	OUT	0x15,R19	Out to I/O location
+000000AA:	01F0	MOVW	R30,R0	Copy register pair
+000000AB:	1F33	ROL	R19	Rotate Left Through Carry
+000000AC:	BB35	OUT	0x15,R19	Out to I/O location
+000000AD:	61F0	ORI	R31,0x10	Logical OR with immediate
+000000AE:	1F33	ROL	R19	Rotate Left Through Carry
+000000AF:	BB35	OUT	0x15,R19	Out to I/O location
+000000B0:	0FE7	ADD	R30,R23	Add without carry
+000000B1:	1F33	ROL	R19	Rotate Left Through Carry
+000000B2:	BB35	OUT	0x15,R19	Out to I/O location
+000000B3:	9134	LPM	R19,Z	Load program memory
+000000B4:	BB35	OUT	0x15,R19	Out to I/O location
+000000B5:	9189	LD	R24,Y+	Load indirect and postincrement
+000000B6:	1F33	ROL	R19	Rotate Left Through Carry

+000000B7:	BB35	OUT	0x15,R19	Out to I/O location
+000000B8:	9F85	MUL	R24,R21	Multiply unsigned
+000000B9:	1F33	ROL	R19	Rotate Left Through Carry
+000000BA:	BB35	OUT	0x15,R19	Out to I/O location
+000000BB:	01F0	MOVW	R30,R0	Copy register pair
+000000BC:	1F33	ROL	R19	Rotate Left Through Carry
+000000BD:	BB35	OUT	0x15,R19	Out to I/O location
+000000BE:	61F0	ORI	R31,0x10	Logical OR with immediate
+000000BF:	1F33	ROL	R19	Rotate Left Through Carry
+000000C0:	BB35	OUT	0x15,R19	Out to I/O location
+000000C1:	0FE7	ADD	R30,R23	Add without carry
+000000C2:	1F33	ROL	R19	Rotate Left Through Carry
+000000C3:	BB35	OUT	0x15,R19	Out to I/O location
+000000C4:	9134	LPM	R19,Z	Load program memory
+000000C5:	BB35	OUT	0x15,R19	Out to I/O location
+000000C6:	9189	LD	R24,Y+	Load indirect and postincrement
+000000C7:	1F33	ROL	R19	Rotate Left Through Carry
+000000C8:	BB35	OUT	0x15,R19	Out to I/O location
+000000C9:	9F85	MUL	R24,R21	Multiply unsigned
+000000CA:	1F33	ROL	R19	Rotate Left Through Carry
+000000CB:	BB35	OUT	0x15,R19	Out to I/O location
+000000CC:	01F0	MOVW	R30,R0	Copy register pair
+000000CD:	1F33	ROL	R19	Rotate Left Through Carry
+000000CE:	BB35	OUT	0x15,R19	Out to I/O location
+000000CF:	61F0	ORI	R31,0x10	Logical OR with immediate
+000000D0:	1F33	ROL	R19	Rotate Left Through Carry
+000000D1:	BB35	OUT	0x15,R19	Out to I/O location
+000000D2:	0FE7	ADD	R30,R23	Add without carry
+000000D3:	1F33	ROL	R19	Rotate Left Through Carry
+000000D4:	BB35	OUT	0x15,R19	Out to I/O location
+000000D5:	9134	LPM	R19,Z	Load program memory
+000000D6:	BB35	OUT	0x15,R19	Out to I/O location
+000000D7:	9189	LD	R24,Y+	Load indirect and postincrement
+000000D8:	1F33	ROL	R19	Rotate Left Through Carry

+000000D9:	BB35	OUT	0x15,R19	Out to I/O location
+000000DA:	9F85	MUL	R24,R21	Multiply unsigned
+000000DB:	1F33	ROL	R19	Rotate Left Through Carry
+000000DC:	BB35	OUT	0x15,R19	Out to I/O location
+000000DD:	01F0	MOVW	R30,R0	Copy register pair
+000000DE:	1F33	ROL	R19	Rotate Left Through Carry
+000000DF:	BB35	OUT	0x15,R19	Out to I/O location
+000000E0:	61F0	ORI	R31,0x10	Logical OR with immediate
+000000E1:	1F33	ROL	R19	Rotate Left Through Carry
+000000E2:	BB35	OUT	0x15,R19	Out to I/O location
+000000E3:	0FE7	ADD	R30,R23	Add without carry
+000000E4:	1F33	ROL	R19	Rotate Left Through Carry
+000000E5:	BB35	OUT	0x15,R19	Out to I/O location
+000000E6:	9134	LPM	R19,Z	Load program memory
+000000E7:	BB35	OUT	0x15,R19	Out to I/O location
+000000E8:	9189	LD	R24,Y+	Load indirect and postincrement
+000000E9:	1F33	ROL	R19	Rotate Left Through Carry
+000000EA:	BB35	OUT	0x15,R19	Out to I/O location
+000000EB:	9F85	MUL	R24,R21	Multiply unsigned
+000000EC:	1F33	ROL	R19	Rotate Left Through Carry
+000000ED:	BB35	OUT	0x15,R19	Out to I/O location
+000000EE:	01F0	MOVW	R30,R0	Copy register pair
+000000EF:	1F33	ROL	R19	Rotate Left Through Carry
+000000F0:	BB35	OUT	0x15,R19	Out to I/O location
+000000F1:	61F0	ORI	R31,0x10	Logical OR with immediate
+000000F2:	1F33	ROL	R19	Rotate Left Through Carry
+000000F3:	BB35	OUT	0x15,R19	Out to I/O location
+000000F4:	0FE7	ADD	R30,R23	Add without carry
+000000F5:	1F33	ROL	R19	Rotate Left Through Carry
+000000F6:	BB35	OUT	0x15,R19	Out to I/O location
+000000F7:	9134	LPM	R19,Z	Load program memory
+000000F8:	BB35	OUT	0x15,R19	Out to I/O location
+000000F9:	9189	LD	R24,Y+	Load indirect and postincrement
+000000FA:	1F33	ROL	R19	Rotate Left Through Carry

+000000FB:	BB35	OUT	0x15,R19	Out to I/O location
+000000FC:	9F85	MUL	R24,R21	Multiply unsigned
+000000FD:	1F33	ROL	R19	Rotate Left Through Carry
+000000FE:	BB35	OUT	0x15,R19	Out to I/O location
+000000FF:	01F0	MOVW	R30,R0	Copy register pair
+00000100:	1F33	ROL	R19	Rotate Left Through Carry
+00000101:	BB35	OUT	0x15,R19	Out to I/O location
+00000102:	61F0	ORI	R31,0x10	Logical OR with immediate
+00000103:	1F33	ROL	R19	Rotate Left Through Carry
+00000104:	BB35	OUT	0x15,R19	Out to I/O location
+00000105:	0FE7	ADD	R30,R23	Add without carry
+00000106:	1F33	ROL	R19	Rotate Left Through Carry
+00000107:	BB35	OUT	0x15,R19	Out to I/O location
+00000108:	9134	LPM	R19,Z	Load program memory
+00000109:	BB35	OUT	0x15,R19	Out to I/O location
+0000010A:	9189	LD	R24,Y+	Load indirect and postincrement
+0000010B:	1F33	ROL	R19	Rotate Left Through Carry
+0000010C:	BB35	OUT	0x15,R19	Out to I/O location
+0000010D:	9F85	MUL	R24,R21	Multiply unsigned
+0000010E:	1F33	ROL	R19	Rotate Left Through Carry
+0000010F:	BB35	OUT	0x15,R19	Out to I/O location
+00000110:	01F0	MOVW	R30,R0	Copy register pair
+00000111:	1F33	ROL	R19	Rotate Left Through Carry
+00000112:	BB35	OUT	0x15,R19	Out to I/O location
+00000113:	61F0	ORI	R31,0x10	Logical OR with immediate
+00000114:	1F33	ROL	R19	Rotate Left Through Carry
+00000115:	BB35	OUT	0x15,R19	Out to I/O location
+00000116:	0FE7	ADD	R30,R23	Add without carry
+00000117:	1F33	ROL	R19	Rotate Left Through Carry
+00000118:	BB35	OUT	0x15,R19	Out to I/O location
+00000119:	9134	LPM	R19,Z	Load program memory
+0000011A:	BB35	OUT	0x15,R19	Out to I/O location
+0000011B:	9189	LD	R24,Y+	Load indirect and postincrement
+0000011C:	1F33	ROL	R19	Rotate Left Through Carry

+0000011D:	BB35	OUT	0x15,R19	Out to I/O location
+0000011E:	9F85	MUL	R24,R21	Multiply unsigned
+0000011F:	1F33	ROL	R19	Rotate Left Through Carry
+00000120:	BB35	OUT	0x15,R19	Out to I/O location
+00000121:	01F0	MOVW	R30,R0	Copy register pair
+00000122:	1F33	ROL	R19	Rotate Left Through Carry
+00000123:	BB35	OUT	0x15,R19	Out to I/O location
+00000124:	61F0	ORI	R31,0x10	Logical OR with immediate
+00000125:	1F33	ROL	R19	Rotate Left Through Carry
+00000126:	BB35	OUT	0x15,R19	Out to I/O location
+00000127:	0FE7	ADD	R30,R23	Add without carry
+00000128:	1F33	ROL	R19	Rotate Left Through Carry
+00000129:	BB35	OUT	0x15,R19	Out to I/O location
+0000012A:	9134	LPM	R19,Z	Load program memory
+0000012B:	BB35	OUT	0x15,R19	Out to I/O location
+0000012C:	9189	LD	R24,Y+	Load indirect and postincrement
+0000012D:	1F33	ROL	R19	Rotate Left Through Carry
+0000012E:	BB35	OUT	0x15,R19	Out to I/O location
+0000012F:	9F85	MUL	R24,R21	Multiply unsigned
+00000130:	1F33	ROL	R19	Rotate Left Through Carry
+00000131:	BB35	OUT	0x15,R19	Out to I/O location
+00000132:	01F0	MOVW	R30,R0	Copy register pair
+00000133:	1F33	ROL	R19	Rotate Left Through Carry
+00000134:	BB35	OUT	0x15,R19	Out to I/O location
+00000135:	61F0	ORI	R31,0x10	Logical OR with immediate
+00000136:	1F33	ROL	R19	Rotate Left Through Carry
+00000137:	BB35	OUT	0x15,R19	Out to I/O location
+00000138:	0FE7	ADD	R30,R23	Add without carry
+00000139:	1F33	ROL	R19	Rotate Left Through Carry
+0000013A:	BB35	OUT	0x15,R19	Out to I/O location
+0000013B:	9134	LPM	R19,Z	Load program memory
+0000013C:	BB35	OUT	0x15,R19	Out to I/O location
+0000013D:	9189	LD	R24,Y+	Load indirect and postincrement
+0000013E:	1F33	ROL	R19	Rotate Left Through Carry

+0000013F:	BB35	OUT	0x15,R19	Out to I/O location
+00000140:	9F85	MUL	R24,R21	Multiply unsigned
+00000141:	1F33	ROL	R19	Rotate Left Through Carry
+00000142:	BB35	OUT	0x15,R19	Out to I/O location
+00000143:	01F0	MOVW	R30,R0	Copy register pair
+00000144:	1F33	ROL	R19	Rotate Left Through Carry
+00000145:	BB35	OUT	0x15,R19	Out to I/O location
+00000146:	61F0	ORI	R31,0x10	Logical OR with immediate
+00000147:	1F33	ROL	R19	Rotate Left Through Carry
+00000148:	BB35	OUT	0x15,R19	Out to I/O location
+00000149:	0FE7	ADD	R30,R23	Add without carry
+0000014A:	1F33	ROL	R19	Rotate Left Through Carry
+0000014B:	BB35	OUT	0x15,R19	Out to I/O location
+0000014C:	9134	LPM	R19,Z	Load program memory
+0000014D:	BB35	OUT	0x15,R19	Out to I/O location
+0000014E:	9189	LD	R24,Y+	Load indirect and postincrement
+0000014F:	1F33	ROL	R19	Rotate Left Through Carry
+00000150:	BB35	OUT	0x15,R19	Out to I/O location
+00000151:	9F85	MUL	R24,R21	Multiply unsigned
+00000152:	1F33	ROL	R19	Rotate Left Through Carry
+00000153:	BB35	OUT	0x15,R19	Out to I/O location
+00000154:	01F0	MOVW	R30,R0	Copy register pair
+00000155:	1F33	ROL	R19	Rotate Left Through Carry
+00000156:	BB35	OUT	0x15,R19	Out to I/O location
+00000157:	61F0	ORI	R31,0x10	Logical OR with immediate
+00000158:	1F33	ROL	R19	Rotate Left Through Carry
+00000159:	BB35	OUT	0x15,R19	Out to I/O location
+0000015A:	0FE7	ADD	R30,R23	Add without carry
+0000015B:	1F33	ROL	R19	Rotate Left Through Carry
+0000015C:	BB35	OUT	0x15,R19	Out to I/O location
+0000015D:	9134	LPM	R19,Z	Load program memory
+0000015E:	BB35	OUT	0x15,R19	Out to I/O location
+0000015F:	9189	LD	R24,Y+	Load indirect and postincrement
+00000160:	1F33	ROL	R19	Rotate Left Through Carry

+00000161:	BB35	OUT	0x15,R19	Out to I/O location
+00000162:	9F85	MUL	R24,R21	Multiply unsigned
+00000163:	1F33	ROL	R19	Rotate Left Through Carry
+00000164:	BB35	OUT	0x15,R19	Out to I/O location
+00000165:	01F0	MOVW	R30,R0	Copy register pair
+00000166:	1F33	ROL	R19	Rotate Left Through Carry
+00000167:	BB35	OUT	0x15,R19	Out to I/O location
+00000168:	61F0	ORI	R31,0x10	Logical OR with immediate
+00000169:	1F33	ROL	R19	Rotate Left Through Carry
+0000016A:	BB35	OUT	0x15,R19	Out to I/O location
+0000016B:	0FE7	ADD	R30,R23	Add without carry
+0000016C:	1F33	ROL	R19	Rotate Left Through Carry
+0000016D:	BB35	OUT	0x15,R19	Out to I/O location
+0000016E:	9134	LPM	R19,Z	Load program memory
+0000016F:	BB35	OUT	0x15,R19	Out to I/O location
+00000170:	9189	LD	R24,Y+	Load indirect and postincrement
+00000171:	1F33	ROL	R19	Rotate Left Through Carry
+00000172:	BB35	OUT	0x15,R19	Out to I/O location
+00000173:	9F85	MUL	R24,R21	Multiply unsigned
+00000174:	1F33	ROL	R19	Rotate Left Through Carry
+00000175:	BB35	OUT	0x15,R19	Out to I/O location
+00000176:	01F0	MOVW	R30,R0	Copy register pair
+00000177:	1F33	ROL	R19	Rotate Left Through Carry
+00000178:	BB35	OUT	0x15,R19	Out to I/O location
+00000179:	61F0	ORI	R31,0x10	Logical OR with immediate
+0000017A:	1F33	ROL	R19	Rotate Left Through Carry
+0000017B:	BB35	OUT	0x15,R19	Out to I/O location
+0000017C:	0FE7	ADD	R30,R23	Add without carry
+0000017D:	1F33	ROL	R19	Rotate Left Through Carry
+0000017E:	BB35	OUT	0x15,R19	Out to I/O location
+0000017F:	9134	LPM	R19,Z	Load program memory
+00000180:	BB35	OUT	0x15,R19	Out to I/O location
+00000181:	9189	LD	R24,Y+	Load indirect and postincrement
+00000182:	1F33	ROL	R19	Rotate Left Through Carry

+00000183:	BB35	OUT	0x15,R19	Out to I/O location
+00000184:	9F85	MUL	R24,R21	Multiply unsigned
+00000185:	1F33	ROL	R19	Rotate Left Through Carry
+00000186:	BB35	OUT	0x15,R19	Out to I/O location
+00000187:	01F0	MOVW	R30,R0	Copy register pair
+00000188:	1F33	ROL	R19	Rotate Left Through Carry
+00000189:	BB35	OUT	0x15,R19	Out to I/O location
+0000018A:	61F0	ORI	R31,0x10	Logical OR with immediate
+0000018B:	1F33	ROL	R19	Rotate Left Through Carry
+0000018C:	BB35	OUT	0x15,R19	Out to I/O location
+0000018D:	0FE7	ADD	R30,R23	Add without carry
+0000018E:	1F33	ROL	R19	Rotate Left Through Carry
+0000018F:	BB35	OUT	0x15,R19	Out to I/O location
+00000190:	9134	LPM	R19,Z	Load program memory
+00000191:	BB35	OUT	0x15,R19	Out to I/O location
+00000192:	9189	LD	R24,Y+	Load indirect and postincrement
+00000193:	1F33	ROL	R19	Rotate Left Through Carry
+00000194:	BB35	OUT	0x15,R19	Out to I/O location
+00000195:	9F85	MUL	R24,R21	Multiply unsigned
+00000196:	1F33	ROL	R19	Rotate Left Through Carry
+00000197:	BB35	OUT	0x15,R19	Out to I/O location
+00000198:	01F0	MOVW	R30,R0	Copy register pair
+00000199:	1F33	ROL	R19	Rotate Left Through Carry
+0000019A:	BB35	OUT	0x15,R19	Out to I/O location
+0000019B:	61F0	ORI	R31,0x10	Logical OR with immediate
+0000019C:	1F33	ROL	R19	Rotate Left Through Carry
+0000019D:	BB35	OUT	0x15,R19	Out to I/O location
+0000019E:	0FE7	ADD	R30,R23	Add without carry
+0000019F:	1F33	ROL	R19	Rotate Left Through Carry
+000001A0:	BB35	OUT	0x15,R19	Out to I/O location
+000001A1:	9134	LPM	R19,Z	Load program memory
+000001A2:	BB35	OUT	0x15,R19	Out to I/O location
+000001A3:	9189	LD	R24,Y+	Load indirect and postincrement
+000001A4:	1F33	ROL	R19	Rotate Left Through Carry

+000001A5:	BB35	OUT	0x15,R19	Out to I/O location
+000001A6:	9F85	MUL	R24,R21	Multiply unsigned
+000001A7:	1F33	ROL	R19	Rotate Left Through Carry
+000001A8:	BB35	OUT	0x15,R19	Out to I/O location
+000001A9:	01F0	MOVW	R30,R0	Copy register pair
+000001AA:	1F33	ROL	R19	Rotate Left Through Carry
+000001AB:	BB35	OUT	0x15,R19	Out to I/O location
+000001AC:	61F0	ORI	R31,0x10	Logical OR with immediate
+000001AD:	1F33	ROL	R19	Rotate Left Through Carry
+000001AE:	BB35	OUT	0x15,R19	Out to I/O location
+000001AF:	0FE7	ADD	R30,R23	Add without carry
+000001B0:	1F33	ROL	R19	Rotate Left Through Carry
+000001B1:	BB35	OUT	0x15,R19	Out to I/O location
+000001B2:	9134	LPM	R19,Z	Load program memory
+000001B3:	BB35	OUT	0x15,R19	Out to I/O location
+000001B4:	9189	LD	R24,Y+	Load indirect and postincrement
+000001B5:	1F33	ROL	R19	Rotate Left Through Carry
+000001B6:	BB35	OUT	0x15,R19	Out to I/O location
+000001B7:	9F85	MUL	R24,R21	Multiply unsigned
+000001B8:	1F33	ROL	R19	Rotate Left Through Carry
+000001B9:	BB35	OUT	0x15,R19	Out to I/O location
+000001BA:	01F0	MOVW	R30,R0	Copy register pair
+000001BB:	1F33	ROL	R19	Rotate Left Through Carry
+000001BC:	BB35	OUT	0x15,R19	Out to I/O location
+000001BD:	61F0	ORI	R31,0x10	Logical OR with immediate
+000001BE:	1F33	ROL	R19	Rotate Left Through Carry
+000001BF:	BB35	OUT	0x15,R19	Out to I/O location
+000001C0:	0FE7	ADD	R30,R23	Add without carry
+000001C1:	1F33	ROL	R19	Rotate Left Through Carry
+000001C2:	BB35	OUT	0x15,R19	Out to I/O location
+000001C3:	9134	LPM	R19,Z	Load program memory
+000001C4:	BB35	OUT	0x15,R19	Out to I/O location
+000001C5:	9189	LD	R24,Y+	Load indirect and postincrement
+000001C6:	1F33	ROL	R19	Rotate Left Through Carry

+000001C7:	BB35	OUT	0x15,R19	Out to I/O location
+000001C8:	9F85	MUL	R24,R21	Multiply unsigned
+000001C9:	1F33	ROL	R19	Rotate Left Through Carry
+000001CA:	BB35	OUT	0x15,R19	Out to I/O location
+000001CB:	01F0	MOVW	R30,R0	Copy register pair
+000001CC:	1F33	ROL	R19	Rotate Left Through Carry
+000001CD:	BB35	OUT	0x15,R19	Out to I/O location
+000001CE:	61F0	ORI	R31,0x10	Logical OR with immediate
+000001CF:	1F33	ROL	R19	Rotate Left Through Carry
+000001D0:	BB35	OUT	0x15,R19	Out to I/O location
+000001D1:	0FE7	ADD	R30,R23	Add without carry
+000001D2:	1F33	ROL	R19	Rotate Left Through Carry
+000001D3:	BB35	OUT	0x15,R19	Out to I/O location
+000001D4:	9134	LPM	R19,Z	Load program memory
+000001D5:	BB35	OUT	0x15,R19	Out to I/O location
+000001D6:	9189	LD	R24,Y+	Load indirect and postincrement
+000001D7:	1F33	ROL	R19	Rotate Left Through Carry
+000001D8:	BB35	OUT	0x15,R19	Out to I/O location
+000001D9:	9F85	MUL	R24,R21	Multiply unsigned
+000001DA:	1F33	ROL	R19	Rotate Left Through Carry
+000001DB:	BB35	OUT	0x15,R19	Out to I/O location
+000001DC:	01F0	MOVW	R30,R0	Copy register pair
+000001DD:	1F33	ROL	R19	Rotate Left Through Carry
+000001DE:	BB35	OUT	0x15,R19	Out to I/O location
+000001DF:	61F0	ORI	R31,0x10	Logical OR with immediate
+000001E0:	1F33	ROL	R19	Rotate Left Through Carry
+000001E1:	BB35	OUT	0x15,R19	Out to I/O location
+000001E2:	0FE7	ADD	R30,R23	Add without carry
+000001E3:	1F33	ROL	R19	Rotate Left Through Carry
+000001E4:	BB35	OUT	0x15,R19	Out to I/O location
+000001E5:	9134	LPM	R19,Z	Load program memory
+000001E6:	BB35	OUT	0x15,R19	Out to I/O location
+000001E7:	9189	LD	R24,Y+	Load indirect and postincrement
+000001E8:	1F33	ROL	R19	Rotate Left Through Carry

+000001E9:	BB35	OUT	0x15,R19	Out to I/O location
+000001EA:	9F85	MUL	R24,R21	Multiply unsigned
+000001EB:	1F33	ROL	R19	Rotate Left Through Carry
+000001EC:	BB35	OUT	0x15,R19	Out to I/O location
+000001ED:	01F0	MOVW	R30,R0	Copy register pair
+000001EE:	1F33	ROL	R19	Rotate Left Through Carry
+000001EF:	BB35	OUT	0x15,R19	Out to I/O location
+000001F0:	61F0	ORI	R31,0x10	Logical OR with immediate
+000001F1:	1F33	ROL	R19	Rotate Left Through Carry
+000001F2:	BB35	OUT	0x15,R19	Out to I/O location
+000001F3:	0FE7	ADD	R30,R23	Add without carry
+000001F4:	1F33	ROL	R19	Rotate Left Through Carry
+000001F5:	BB35	OUT	0x15,R19	Out to I/O location
+000001F6:	9134	LPM	R19,Z	Load program memory
+000001F7:	BB35	OUT	0x15,R19	Out to I/O location
+000001F8:	9189	LD	R24,Y+	Load indirect and postincrement
+000001F9:	1F33	ROL	R19	Rotate Left Through Carry
+000001FA:	BB35	OUT	0x15,R19	Out to I/O location
+000001FB:	9F85	MUL	R24,R21	Multiply unsigned
+000001FC:	1F33	ROL	R19	Rotate Left Through Carry
+000001FD:	BB35	OUT	0x15,R19	Out to I/O location
+000001FE:	01F0	MOVW	R30,R0	Copy register pair
+000001FF:	1F33	ROL	R19	Rotate Left Through Carry
+00000200:	BB35	OUT	0x15,R19	Out to I/O location
+00000201:	61F0	ORI	R31,0x10	Logical OR with immediate
+00000202:	1F33	ROL	R19	Rotate Left Through Carry
+00000203:	BB35	OUT	0x15,R19	Out to I/O location
+00000204:	0FE7	ADD	R30,R23	Add without carry
+00000205:	1F33	ROL	R19	Rotate Left Through Carry
+00000206:	BB35	OUT	0x15,R19	Out to I/O location
+00000207:	9134	LPM	R19,Z	Load program memory
+00000208:	BB35	OUT	0x15,R19	Out to I/O location
+00000209:	9189	LD	R24,Y+	Load indirect and postincrement
+0000020A:	1F33	ROL	R19	Rotate Left Through Carry

+0000020B:	BB35	OUT	0x15,R19	Out to I/O location
+0000020C:	9F85	MUL	R24,R21	Multiply unsigned
+0000020D:	1F33	ROL	R19	Rotate Left Through Carry
+0000020E:	BB35	OUT	0x15,R19	Out to I/O location
+0000020F:	01F0	MOVW	R30,R0	Copy register pair
+00000210:	1F33	ROL	R19	Rotate Left Through Carry
+00000211:	BB35	OUT	0x15,R19	Out to I/O location
+00000212:	61F0	ORI	R31,0x10	Logical OR with immediate
+00000213:	1F33	ROL	R19	Rotate Left Through Carry
+00000214:	BB35	OUT	0x15,R19	Out to I/O location
+00000215:	0FE7	ADD	R30,R23	Add without carry
+00000216:	1F33	ROL	R19	Rotate Left Through Carry
+00000217:	BB35	OUT	0x15,R19	Out to I/O location
+00000218:	9134	LPM	R19,Z	Load program memory
+00000219:	BB35	OUT	0x15,R19	Out to I/O location
+0000021A:	9189	LD	R24,Y+	Load indirect and postincrement
+0000021B:	1F33	ROL	R19	Rotate Left Through Carry
+0000021C:	BB35	OUT	0x15,R19	Out to I/O location
+0000021D:	9F85	MUL	R24,R21	Multiply unsigned
+0000021E:	1F33	ROL	R19	Rotate Left Through Carry
+0000021F:	BB35	OUT	0x15,R19	Out to I/O location
+00000220:	01F0	MOVW	R30,R0	Copy register pair
+00000221:	1F33	ROL	R19	Rotate Left Through Carry
+00000222:	BB35	OUT	0x15,R19	Out to I/O location
+00000223:	61F0	ORI	R31,0x10	Logical OR with immediate
+00000224:	1F33	ROL	R19	Rotate Left Through Carry
+00000225:	BB35	OUT	0x15,R19	Out to I/O location
+00000226:	0FE7	ADD	R30,R23	Add without carry
+00000227:	1F33	ROL	R19	Rotate Left Through Carry
+00000228:	BB35	OUT	0x15,R19	Out to I/O location
+00000229:	9134	LPM	R19,Z	Load program memory
+0000022A:	BB35	OUT	0x15,R19	Out to I/O location
+0000022B:	9189	LD	R24,Y+	Load indirect and postincrement
+0000022C:	1F33	ROL	R19	Rotate Left Through Carry

+0000022D:	BB35	OUT	0x15,R19	Out to I/O location
+0000022E:	9F85	MUL	R24,R21	Multiply unsigned
+0000022F:	1F33	ROL	R19	Rotate Left Through Carry
+00000230:	BB35	OUT	0x15,R19	Out to I/O location
+00000231:	01F0	MOVW	R30,R0	Copy register pair
+00000232:	1F33	ROL	R19	Rotate Left Through Carry
+00000233:	BB35	OUT	0x15,R19	Out to I/O location
+00000234:	61F0	ORI	R31,0x10	Logical OR with immediate
+00000235:	1F33	ROL	R19	Rotate Left Through Carry
+00000236:	BB35	OUT	0x15,R19	Out to I/O location
+00000237:	0FE7	ADD	R30,R23	Add without carry
+00000238:	1F33	ROL	R19	Rotate Left Through Carry
+00000239:	BB35	OUT	0x15,R19	Out to I/O location
+0000023A:	9134	LPM	R19,Z	Load program memory
+0000023B:	BB35	OUT	0x15,R19	Out to I/O location
+0000023C:	9189	LD	R24,Y+	Load indirect and postincrement
+0000023D:	1F33	ROL	R19	Rotate Left Through Carry
+0000023E:	BB35	OUT	0x15,R19	Out to I/O location
+0000023F:	9F85	MUL	R24,R21	Multiply unsigned
+00000240:	1F33	ROL	R19	Rotate Left Through Carry
+00000241:	BB35	OUT	0x15,R19	Out to I/O location
+00000242:	01F0	MOVW	R30,R0	Copy register pair
+00000243:	1F33	ROL	R19	Rotate Left Through Carry
+00000244:	BB35	OUT	0x15,R19	Out to I/O location
+00000245:	61F0	ORI	R31,0x10	Logical OR with immediate
+00000246:	1F33	ROL	R19	Rotate Left Through Carry
+00000247:	BB35	OUT	0x15,R19	Out to I/O location
+00000248:	0FE7	ADD	R30,R23	Add without carry
+00000249:	1F33	ROL	R19	Rotate Left Through Carry
+0000024A:	BB35	OUT	0x15,R19	Out to I/O location
+0000024B:	9134	LPM	R19,Z	Load program memory
+0000024C:	BB35	OUT	0x15,R19	Out to I/O location
+0000024D:	9189	LD	R24,Y+	Load indirect and postincrement
+0000024E:	1F33	ROL	R19	Rotate Left Through Carry

+0000024F:	BB35	OUT	0x15,R19	Out to I/O location
+00000250:	9F85	MUL	R24,R21	Multiply unsigned
+00000251:	1F33	ROL	R19	Rotate Left Through Carry
+00000252:	BB35	OUT	0x15,R19	Out to I/O location
+00000253:	01F0	MOVW	R30,R0	Copy register pair
+00000254:	1F33	ROL	R19	Rotate Left Through Carry
+00000255:	BB35	OUT	0x15,R19	Out to I/O location
+00000256:	61F0	ORI	R31,0x10	Logical OR with immediate
+00000257:	1F33	ROL	R19	Rotate Left Through Carry
+00000258:	BB35	OUT	0x15,R19	Out to I/O location
+00000259:	0FE7	ADD	R30,R23	Add without carry
+0000025A:	1F33	ROL	R19	Rotate Left Through Carry
+0000025B:	BB35	OUT	0x15,R19	Out to I/O location
+0000025C:	9134	LPM	R19,Z	Load program memory
+0000025D:	BB35	OUT	0x15,R19	Out to I/O location
+0000025E:	9189	LD	R24,Y+	Load indirect and postincrement
+0000025F:	1F33	ROL	R19	Rotate Left Through Carry
+00000260:	BB35	OUT	0x15,R19	Out to I/O location
+00000261:	9F85	MUL	R24,R21	Multiply unsigned
+00000262:	1F33	ROL	R19	Rotate Left Through Carry
+00000263:	BB35	OUT	0x15,R19	Out to I/O location
+00000264:	01F0	MOVW	R30,R0	Copy register pair
+00000265:	1F33	ROL	R19	Rotate Left Through Carry
+00000266:	BB35	OUT	0x15,R19	Out to I/O location
+00000267:	61F0	ORI	R31,0x10	Logical OR with immediate
+00000268:	1F33	ROL	R19	Rotate Left Through Carry
+00000269:	BB35	OUT	0x15,R19	Out to I/O location
+0000026A:	0FE7	ADD	R30,R23	Add without carry
+0000026B:	1F33	ROL	R19	Rotate Left Through Carry
+0000026C:	BB35	OUT	0x15,R19	Out to I/O location
+0000026D:	9134	LPM	R19,Z	Load program memory
+0000026E:	BB35	OUT	0x15,R19	Out to I/O location
+0000026F:	9189	LD	R24,Y+	Load indirect and postincrement
+00000270:	1F33	ROL	R19	Rotate Left Through Carry

+00000271:	BB35	OUT	0x15,R19	Out to I/O location
+00000272:	9F85	MUL	R24,R21	Multiply unsigned
+00000273:	1F33	ROL	R19	Rotate Left Through Carry
+00000274:	BB35	OUT	0x15,R19	Out to I/O location
+00000275:	01F0	MOVW	R30,R0	Copy register pair
+00000276:	1F33	ROL	R19	Rotate Left Through Carry
+00000277:	BB35	OUT	0x15,R19	Out to I/O location
+00000278:	61F0	ORI	R31,0x10	Logical OR with immediate
+00000279:	1F33	ROL	R19	Rotate Left Through Carry
+0000027A:	BB35	OUT	0x15,R19	Out to I/O location
+0000027B:	0FE7	ADD	R30,R23	Add without carry
+0000027C:	1F33	ROL	R19	Rotate Left Through Carry
+0000027D:	BB35	OUT	0x15,R19	Out to I/O location
+0000027E:	9134	LPM	R19,Z	Load program memory
+0000027F:	BB35	OUT	0x15,R19	Out to I/O location
+00000280:	9189	LD	R24,Y+	Load indirect and postincrement
+00000281:	1F33	ROL	R19	Rotate Left Through Carry
+00000282:	BB35	OUT	0x15,R19	Out to I/O location
+00000283:	9F85	MUL	R24,R21	Multiply unsigned
+00000284:	1F33	ROL	R19	Rotate Left Through Carry
+00000285:	BB35	OUT	0x15,R19	Out to I/O location
+00000286:	01F0	MOVW	R30,R0	Copy register pair
+00000287:	1F33	ROL	R19	Rotate Left Through Carry
+00000288:	BB35	OUT	0x15,R19	Out to I/O location
+00000289:	61F0	ORI	R31,0x10	Logical OR with immediate
+0000028A:	1F33	ROL	R19	Rotate Left Through Carry
+0000028B:	BB35	OUT	0x15,R19	Out to I/O location
+0000028C:	0FE7	ADD	R30,R23	Add without carry
+0000028D:	1F33	ROL	R19	Rotate Left Through Carry
+0000028E:	BB35	OUT	0x15,R19	Out to I/O location
+0000028F:	9134	LPM	R19,Z	Load program memory
+00000290:	BB35	OUT	0x15,R19	Out to I/O location
+00000291:	9189	LD	R24,Y+	Load indirect and postincrement
+00000292:	1F33	ROL	R19	Rotate Left Through Carry

+00000293:	BB35	OUT	0x15,R19	Out to I/O location
+00000294:	9F85	MUL	R24,R21	Multiply unsigned
+00000295:	1F33	ROL	R19	Rotate Left Through Carry
+00000296:	BB35	OUT	0x15,R19	Out to I/O location
+00000297:	01F0	MOVW	R30,R0	Copy register pair
+00000298:	1F33	ROL	R19	Rotate Left Through Carry
+00000299:	BB35	OUT	0x15,R19	Out to I/O location
+0000029A:	61F0	ORI	R31,0x10	Logical OR with immediate
+0000029B:	1F33	ROL	R19	Rotate Left Through Carry
+0000029C:	BB35	OUT	0x15,R19	Out to I/O location
+0000029D:	0FE7	ADD	R30,R23	Add without carry
+0000029E:	1F33	ROL	R19	Rotate Left Through Carry
+0000029F:	BB35	OUT	0x15,R19	Out to I/O location
+000002A0:	9134	LPM	R19,Z	Load program memory
+000002A1:	BB35	OUT	0x15,R19	Out to I/O location
+000002A2:	9189	LD	R24,Y+	Load indirect and postincrement
+000002A3:	1F33	ROL	R19	Rotate Left Through Carry
+000002A4:	BB35	OUT	0x15,R19	Out to I/O location
+000002A5:	9F85	MUL	R24,R21	Multiply unsigned
+000002A6:	1F33	ROL	R19	Rotate Left Through Carry
+000002A7:	BB35	OUT	0x15,R19	Out to I/O location
+000002A8:	01F0	MOVW	R30,R0	Copy register pair
+000002A9:	1F33	ROL	R19	Rotate Left Through Carry
+000002AA:	BB35	OUT	0x15,R19	Out to I/O location
+000002AB:	61F0	ORI	R31,0x10	Logical OR with immediate
+000002AC:	1F33	ROL	R19	Rotate Left Through Carry
+000002AD:	BB35	OUT	0x15,R19	Out to I/O location
+000002AE:	0FE7	ADD	R30,R23	Add without carry
+000002AF:	1F33	ROL	R19	Rotate Left Through Carry
+000002B0:	BB35	OUT	0x15,R19	Out to I/O location
+000002B1:	9134	LPM	R19,Z	Load program memory
+000002B2:	BB35	OUT	0x15,R19	Out to I/O location
+000002B3:	9189	LD	R24,Y+	Load indirect and postincrement
+000002B4:	1F33	ROL	R19	Rotate Left Through Carry

+000002B5:	BB35	OUT	0x15,R19	Out to I/O location
+000002B6:	9F85	MUL	R24,R21	Multiply unsigned
+000002B7:	1F33	ROL	R19	Rotate Left Through Carry
+000002B8:	BB35	OUT	0x15,R19	Out to I/O location
+000002B9:	01F0	MOVW	R30,R0	Copy register pair
+000002BA:	1F33	ROL	R19	Rotate Left Through Carry
+000002BB:	BB35	OUT	0x15,R19	Out to I/O location
+000002BC:	61F0	ORI	R31,0x10	Logical OR with immediate
+000002BD:	1F33	ROL	R19	Rotate Left Through Carry
+000002BE:	BB35	OUT	0x15,R19	Out to I/O location
+000002BF:	0FE7	ADD	R30,R23	Add without carry
+000002C0:	1F33	ROL	R19	Rotate Left Through Carry
+000002C1:	BB35	OUT	0x15,R19	Out to I/O location
+000002C2:	9134	LPM	R19,Z	Load program memory
+000002C3:	BB35	OUT	0x15,R19	Out to I/O location
+000002C4:	9189	LD	R24,Y+	Load indirect and postincrement
+000002C5:	1F33	ROL	R19	Rotate Left Through Carry
+000002C6:	BB35	OUT	0x15,R19	Out to I/O location
+000002C7:	9F85	MUL	R24,R21	Multiply unsigned
+000002C8:	1F33	ROL	R19	Rotate Left Through Carry
+000002C9:	BB35	OUT	0x15,R19	Out to I/O location
+000002CA:	01F0	MOVW	R30,R0	Copy register pair
+000002CB:	1F33	ROL	R19	Rotate Left Through Carry
+000002CC:	BB35	OUT	0x15,R19	Out to I/O location
+000002CD:	61F0	ORI	R31,0x10	Logical OR with immediate
+000002CE:	1F33	ROL	R19	Rotate Left Through Carry
+000002CF:	BB35	OUT	0x15,R19	Out to I/O location
+000002D0:	0FE7	ADD	R30,R23	Add without carry
+000002D1:	1F33	ROL	R19	Rotate Left Through Carry
+000002D2:	BB35	OUT	0x15,R19	Out to I/O location
+000002D3:	9134	LPM	R19,Z	Load program memory
+000002D4:	BB35	OUT	0x15,R19	Out to I/O location
+000002D5:	9189	LD	R24,Y+	Load indirect and postincrement
+000002D6:	1F33	ROL	R19	Rotate Left Through Carry

+000002D7:	BB35	OUT	0x15,R19	Out to I/O location
+000002D8:	9F85	MUL	R24,R21	Multiply unsigned
+000002D9:	1F33	ROL	R19	Rotate Left Through Carry
+000002DA:	BB35	OUT	0x15,R19	Out to I/O location
+000002DB:	01F0	MOVW	R30,R0	Copy register pair
+000002DC:	1F33	ROL	R19	Rotate Left Through Carry
+000002DD:	BB35	OUT	0x15,R19	Out to I/O location
+000002DE:	61F0	ORI	R31,0x10	Logical OR with immediate
+000002DF:	1F33	ROL	R19	Rotate Left Through Carry
+000002E0:	BB35	OUT	0x15,R19	Out to I/O location
+000002E1:	0FE7	ADD	R30,R23	Add without carry
+000002E2:	1F33	ROL	R19	Rotate Left Through Carry
+000002E3:	BB35	OUT	0x15,R19	Out to I/O location
+000002E4:	9134	LPM	R19,Z	Load program memory
+000002E5:	BB35	OUT	0x15,R19	Out to I/O location
+000002E6:	9189	LD	R24,Y+	Load indirect and postincrement
+000002E7:	1F33	ROL	R19	Rotate Left Through Carry
+000002E8:	BB35	OUT	0x15,R19	Out to I/O location
+000002E9:	9F85	MUL	R24,R21	Multiply unsigned
+000002EA:	1F33	ROL	R19	Rotate Left Through Carry
+000002EB:	BB35	OUT	0x15,R19	Out to I/O location
+000002EC:	01F0	MOVW	R30,R0	Copy register pair
+000002ED:	1F33	ROL	R19	Rotate Left Through Carry
+000002EE:	BB35	OUT	0x15,R19	Out to I/O location
+000002EF:	61F0	ORI	R31,0x10	Logical OR with immediate
+000002F0:	1F33	ROL	R19	Rotate Left Through Carry
+000002F1:	BB35	OUT	0x15,R19	Out to I/O location
+000002F2:	0FE7	ADD	R30,R23	Add without carry
+000002F3:	1F33	ROL	R19	Rotate Left Through Carry
+000002F4:	BB35	OUT	0x15,R19	Out to I/O location
+000002F5:	9134	LPM	R19,Z	Load program memory
+000002F6:	BB35	OUT	0x15,R19	Out to I/O location
+000002F7:	9189	LD	R24,Y+	Load indirect and postincrement
+000002F8:	1F33	ROL	R19	Rotate Left Through Carry

+000002F9:	BB35	OUT	0x15,R19	Out to I/O location
+000002FA:	9F85	MUL	R24,R21	Multiply unsigned
+000002FB:	1F33	ROL	R19	Rotate Left Through Carry
+000002FC:	BB35	OUT	0x15,R19	Out to I/O location
+000002FD:	01F0	MOVW	R30,R0	Copy register pair
+000002FE:	1F33	ROL	R19	Rotate Left Through Carry
+000002FF:	BB35	OUT	0x15,R19	Out to I/O location
+00000300:	61F0	ORI	R31,0x10	Logical OR with immediate
+00000301:	1F33	ROL	R19	Rotate Left Through Carry
+00000302:	BB35	OUT	0x15,R19	Out to I/O location
+00000303:	0FE7	ADD	R30,R23	Add without carry
+00000304:	1F33	ROL	R19	Rotate Left Through Carry
+00000305:	BB35	OUT	0x15,R19	Out to I/O location
+00000306:	9134	LPM	R19,Z	Load program memory
+00000307:	BB35	OUT	0x15,R19	Out to I/O location
+00000308:	9189	LD	R24,Y+	Load indirect and postincrement
+00000309:	1F33	ROL	R19	Rotate Left Through Carry
+0000030A:	BB35	OUT	0x15,R19	Out to I/O location
+0000030B:	9F85	MUL	R24,R21	Multiply unsigned
+0000030C:	1F33	ROL	R19	Rotate Left Through Carry
+0000030D:	BB35	OUT	0x15,R19	Out to I/O location
+0000030E:	01F0	MOVW	R30,R0	Copy register pair
+0000030F:	1F33	ROL	R19	Rotate Left Through Carry
+00000310:	BB35	OUT	0x15,R19	Out to I/O location
+00000311:	61F0	ORI	R31,0x10	Logical OR with immediate
+00000312:	1F33	ROL	R19	Rotate Left Through Carry
+00000313:	BB35	OUT	0x15,R19	Out to I/O location
+00000314:	0FE7	ADD	R30,R23	Add without carry
+00000315:	1F33	ROL	R19	Rotate Left Through Carry
+00000316:	BB35	OUT	0x15,R19	Out to I/O location
+00000317:	9134	LPM	R19,Z	Load program memory
+00000318:	BB35	OUT	0x15,R19	Out to I/O location
+00000319:	9189	LD	R24,Y+	Load indirect and postincrement
+0000031A:	1F33	ROL	R19	Rotate Left Through Carry

+0000031B:	BB35	OUT	0x15,R19	Out to I/O location
+0000031C:	9F85	MUL	R24,R21	Multiply unsigned
+0000031D:	1F33	ROL	R19	Rotate Left Through Carry
+0000031E:	BB35	OUT	0x15,R19	Out to I/O location
+0000031F:	01F0	MOVW	R30,R0	Copy register pair
+00000320:	1F33	ROL	R19	Rotate Left Through Carry
+00000321:	BB35	OUT	0x15,R19	Out to I/O location
+00000322:	61F0	ORI	R31,0x10	Logical OR with immediate
+00000323:	1F33	ROL	R19	Rotate Left Through Carry
+00000324:	BB35	OUT	0x15,R19	Out to I/O location
+00000325:	0FE7	ADD	R30,R23	Add without carry
+00000326:	1F33	ROL	R19	Rotate Left Through Carry
+00000327:	BB35	OUT	0x15,R19	Out to I/O location
+00000328:	98AD	CBI	0x15,5	Clear bit in I/O register
+00000329:	9573	INC	R23	Increment
+0000032A:	91FF	POP	R31	Pop register from stack
+0000032B:	91EF	POP	R30	Pop register from stack
+0000032C:	915F	POP	R21	Pop register from stack
+0000032D:	BF5F	OUT	0x3F,R21	Out to I/O location
+0000032E:	915F	POP	R21	Pop register from stack
+0000032F:	915F	POP	R21	Pop register from stack
+00000330:	9518	RETI		Interrupt return
+00000331:	E50F	LDI	R16,0x5F	Load immediate
+00000332:	BF0D	OUT	0x3D,R16	Out to I/O location
+00000333:	E004	LDI	R16,0x04	Load immediate
+00000334:	BF0E	OUT	0x3E,R16	Out to I/O location
+00000335:	EC03	LDI	R16,0xC3	Load immediate
+00000336:	BB07	OUT	0x17,R16	Out to I/O location
+00000337:	EF08	LDI	R16,0xF8	Load immediate
+00000338:	BB04	OUT	0x14,R16	Out to I/O location
+00000339:	E007	LDI	R16,0x07	Load immediate
+0000033A:	BB05	OUT	0x15,R16	Out to I/O location
+0000033B:	EE0E	LDI	R16,0xEE	Load immediate
+0000033C:	BB01	OUT	0x11,R16	Out to I/O location

+0000033D:	9A93	SBI	0x12,3	Set bit in I/O register
+0000033E:	2766	CLR	R22	Clear Register
+0000033F:	2799	CLR	R25	Clear Register
+00000340:	24CC	CLR	R12	Clear Register
+00000341:	2422	CLR	R2	Clear Register
+00000342:	24BB	CLR	R11	Clear Register
+00000343:	24AA	CLR	R10	Clear Register
+00000344:	E6A0	LDI	R26,0x60	Load immediate
+00000345:	27BB	CLR	R27	Clear Register
+00000346:	012D	MOVW	R4,R26	Copy register pair
+00000347:	017D	MOVW	R14,R26	Copy register pair
+00000348:	E04C	LDI	R20,0x0C	Load immediate
+00000349:	D19C	RCALL	PC+0x019D	Relative call subroutine
+0000034A:	99E1	SBIC	0x1C,1	Skip if bit in I/O register cleared
+0000034B:	CFFE	RJMP	PC-0x0001	Relative jump
+0000034C:	2700	CLR	R16	Clear Register
+0000034D:	BB0F	OUT	0x1F,R16	Out to I/O location
+0000034E:	BB0E	OUT	0x1E,R16	Out to I/O location
+0000034F:	9AE0	SBI	0x1C,0	Set bit in I/O register
+00000350:	B2DD	IN	R13,0x1D	In from I/O location
+00000351:	E4E0	LDI	R30,0x40	Load immediate
+00000352:	E0FF	LDI	R31,0x0F	Load immediate
+00000353:	9145	LPM	R20,Z+	Load program memory and postincrement
+00000354:	2344	TST	R20	Test for Zero or Minus
+00000355:	F011	BREQ	PC+0x03	Branch if equal
+00000356:	D18F	RCALL	PC+0x0190	Relative call subroutine
+00000357:	CFFB	RJMP	PC-0x0004	Relative jump
+00000358:	E000	LDI	R16,0x00	Load immediate
+00000359:	BD0B	OUT	0x2B,R16	Out to I/O location
+0000035A:	E009	LDI	R16,0x09	Load immediate
+0000035B:	BD0A	OUT	0x2A,R16	Out to I/O location
+0000035C:	E000	LDI	R16,0x00	Load immediate
+0000035D:	BD09	OUT	0x29,R16	Out to I/O location
+0000035E:	E200	LDI	R16,0x20	Load immediate

+0000035F:	BD08	OUT	0x28,R16	Out to I/O location
+00000360:	E000	LDI	R16,0x00	Load immediate
+00000361:	BD07	OUT	0x27,R16	Out to I/O location
+00000362:	EA00	LDI	R16,0xA0	Load immediate
+00000363:	BD06	OUT	0x26,R16	Out to I/O location
+00000364:	E000	LDI	R16,0x00	Load immediate
+00000365:	BD0D	OUT	0x2D,R16	Out to I/O location
+00000366:	E10D	LDI	R16,0x1D	Load immediate
+00000367:	BD0C	OUT	0x2C,R16	Out to I/O location
+00000368:	EC02	LDI	R16,0xC2	Load immediate
+00000369:	BD0F	OUT	0x2F,R16	Out to I/O location
+0000036A:	E808	LDI	R16,0x88	Load immediate
+0000036B:	BF09	OUT	0x39,R16	Out to I/O location
+0000036C:	E90F	LDI	R16,0x9F	Load immediate
+0000036D:	BD04	OUT	0x24,R16	Out to I/O location
+0000036E:	EA00	LDI	R16,0xA0	Load immediate
+0000036F:	BD03	OUT	0x23,R16	Out to I/O location
+00000370:	E001	LDI	R16,0x01	Load immediate
+00000371:	BF00	OUT	0x30,R16	Out to I/O location
+00000372:	E00A	LDI	R16,0x0A	Load immediate
+00000373:	BD05	OUT	0x25,R16	Out to I/O location
+00000374:	E10A	LDI	R16,0x1A	Load immediate
+00000375:	BD0E	OUT	0x2E,R16	Out to I/O location
+00000376:	9478	SEI		Global Interrupt Enable
+00000377:	B303	IN	R16,0x13	In from I/O location
+00000378:	7007	ANDI	R16,0x07	Logical AND with immediate
+00000379:	F479	BRNE	PC+0x10	Branch if not equal
+0000037A:	E301	LDI	R16,0x31	Load immediate
+0000037B:	2F40	MOV	R20,R16	Copy register
+0000037C:	D169	RCALL	PC+0x016A	Relative call subroutine
+0000037D:	D168	RCALL	PC+0x0169	Relative call subroutine
+0000037E:	E305	LDI	R16,0x35	Load immediate
+0000037F:	2F40	MOV	R20,R16	Copy register
+00000380:	D165	RCALL	PC+0x0166	Relative call subroutine

+00000381:	E302	LDI	R16,0x32	Load immediate
+00000382:	2F40	MOV	R20,R16	Copy register
+00000383:	D162	RCALL	PC+0x0163	Relative call subroutine
+00000384:	E00A	LDI	R16,0x0A	Load immediate
+00000385:	B909	OUT	0x09,R16	Out to I/O location
+00000386:	2700	CLR	R16	Clear Register
+00000387:	BD00	OUT	0x20,R16	Out to I/O location
+00000388:	C061	RJMP	PC+0x0062	Relative jump
+00000389:	950A	DEC	R16	Decrement
+0000038A:	F471	BRNE	PC+0x0F	Branch if not equal
+0000038B:	E305	LDI	R16,0x35	Load immediate
+0000038C:	2F40	MOV	R20,R16	Copy register
+0000038D:	D158	RCALL	PC+0x0159	Relative call subroutine
+0000038E:	E307	LDI	R16,0x37	Load immediate
+0000038F:	2F40	MOV	R20,R16	Copy register
+00000390:	D155	RCALL	PC+0x0156	Relative call subroutine
+00000391:	E306	LDI	R16,0x36	Load immediate
+00000392:	2F40	MOV	R20,R16	Copy register
+00000393:	D152	RCALL	PC+0x0153	Relative call subroutine
+00000394:	E105	LDI	R16,0x15	Load immediate
+00000395:	B909	OUT	0x09,R16	Out to I/O location
+00000396:	2700	CLR	R16	Clear Register
+00000397:	BD00	OUT	0x20,R16	Out to I/O location
+00000398:	C051	RJMP	PC+0x0052	Relative jump
+00000399:	950A	DEC	R16	Decrement
+0000039A:	F471	BRNE	PC+0x0F	Branch if not equal
+0000039B:	E303	LDI	R16,0x33	Load immediate
+0000039C:	2F40	MOV	R20,R16	Copy register
+0000039D:	D148	RCALL	PC+0x0149	Relative call subroutine
+0000039E:	E308	LDI	R16,0x38	Load immediate
+0000039F:	2F40	MOV	R20,R16	Copy register
+000003A0:	D145	RCALL	PC+0x0146	Relative call subroutine
+000003A1:	E304	LDI	R16,0x34	Load immediate
+000003A2:	2F40	MOV	R20,R16	Copy register

+000003A3:	D142	RCALL	PC+0x0143	Relative call subroutine
+000003A4:	E200	LDI	R16,0x20	Load immediate
+000003A5:	B909	OUT	0x09,R16	Out to I/O location
+000003A6:	2700	CLR	R16	Clear Register
+000003A7:	BD00	OUT	0x20,R16	Out to I/O location
+000003A8:	C041	RJMP	PC+0x0042	Relative jump
+000003A9:	950A	DEC	R16	Decrement
+000003AA:	F471	BRNE	PC+0x0F	Branch if not equal
+000003AB:	E301	LDI	R16,0x31	Load immediate
+000003AC:	2F40	MOV	R20,R16	Copy register
+000003AD:	D138	RCALL	PC+0x0139	Relative call subroutine
+000003AE:	E309	LDI	R16,0x39	Load immediate
+000003AF:	2F40	MOV	R20,R16	Copy register
+000003B0:	D135	RCALL	PC+0x0136	Relative call subroutine
+000003B1:	E302	LDI	R16,0x32	Load immediate
+000003B2:	2F40	MOV	R20,R16	Copy register
+000003B3:	D132	RCALL	PC+0x0133	Relative call subroutine
+000003B4:	E400	LDI	R16,0x40	Load immediate
+000003B5:	B909	OUT	0x09,R16	Out to I/O location
+000003B6:	2700	CLR	R16	Clear Register
+000003B7:	BD00	OUT	0x20,R16	Out to I/O location
+000003B8:	C031	RJMP	PC+0x0032	Relative jump
+000003B9:	950A	DEC	R16	Decrement
+000003BA:	F459	BRNE	PC+0x0C	Branch if not equal
+000003BB:	E309	LDI	R16,0x39	Load immediate
+000003BC:	2F40	MOV	R20,R16	Copy register
+000003BD:	D128	RCALL	PC+0x0129	Relative call subroutine
+000003BE:	E306	LDI	R16,0x36	Load immediate
+000003BF:	2F40	MOV	R20,R16	Copy register
+000003C0:	D125	RCALL	PC+0x0126	Relative call subroutine
+000003C1:	E801	LDI	R16,0x81	Load immediate
+000003C2:	B909	OUT	0x09,R16	Out to I/O location
+000003C3:	2700	CLR	R16	Clear Register
+000003C4:	BD00	OUT	0x20,R16	Out to I/O location

+000003C5:	C024	RJMP	PC+0x0025	Relative jump
+000003C6:	950A	DEC	R16	Decrement
+000003C7:	F459	BRNE	PC+0x0C	Branch if not equal
+000003C8:	E304	LDI	R16,0x34	Load immediate
+000003C9:	2F40	MOV	R20,R16	Copy register
+000003CA:	D11B	RCALL	PC+0x011C	Relative call subroutine
+000003CB:	E308	LDI	R16,0x38	Load immediate
+000003CC:	2F40	MOV	R20,R16	Copy register
+000003CD:	D118	RCALL	PC+0x0119	Relative call subroutine
+000003CE:	E003	LDI	R16,0x03	Load immediate
+000003CF:	B909	OUT	0x09,R16	Out to I/O location
+000003D0:	E001	LDI	R16,0x01	Load immediate
+000003D1:	BD00	OUT	0x20,R16	Out to I/O location
+000003D2:	C017	RJMP	PC+0x0018	Relative jump
+000003D3:	950A	DEC	R16	Decrement
+000003D4:	F459	BRNE	PC+0x0C	Branch if not equal
+000003D5:	E302	LDI	R16,0x32	Load immediate
+000003D6:	2F40	MOV	R20,R16	Copy register
+000003D7:	D10E	RCALL	PC+0x010F	Relative call subroutine
+000003D8:	E304	LDI	R16,0x34	Load immediate
+000003D9:	2F40	MOV	R20,R16	Copy register
+000003DA:	D10B	RCALL	PC+0x010C	Relative call subroutine
+000003DB:	E008	LDI	R16,0x08	Load immediate
+000003DC:	B909	OUT	0x09,R16	Out to I/O location
+000003DD:	E002	LDI	R16,0x02	Load immediate
+000003DE:	BD00	OUT	0x20,R16	Out to I/O location
+000003DF:	C00A	RJMP	PC+0x000B	Relative jump
+000003E0:	E301	LDI	R16,0x31	Load immediate
+000003E1:	2F40	MOV	R20,R16	Copy register
+000003E2:	D103	RCALL	PC+0x0104	Relative call subroutine
+000003E3:	E302	LDI	R16,0x32	Load immediate
+000003E4:	2F40	MOV	R20,R16	Copy register
+000003E5:	D100	RCALL	PC+0x0101	Relative call subroutine
+000003E6:	E101	LDI	R16,0x11	Load immediate

+000003E7:	B909	OUT	0x09,R16	Out to I/O location
+000003E8:	E004	LDI	R16,0x04	Load immediate
+000003E9:	BD00	OUT	0x20,R16	Out to I/O location
+000003EA:	E108	LDI	R16,0x18	Load immediate
+000003EB:	B90A	OUT	0x0A,R16	Out to I/O location
+000003EC:	E806	LDI	R16,0x86	Load immediate
+000003ED:	BD00	OUT	0x20,R16	Out to I/O location
+000003EE:	E300	LDI	R16,0x30	Load immediate
+000003EF:	2F40	MOV	R20,R16	Copy register
+000003F0:	D0F5	RCALL	PC+0x00F6	Relative call subroutine
+000003F1:	D0F4	RCALL	PC+0x00F5	Relative call subroutine
+000003F2:	E200	LDI	R16,0x20	Load immediate
+000003F3:	2F40	MOV	R20,R16	Copy register
+000003F4:	D0F1	RCALL	PC+0x00F2	Relative call subroutine
+000003F5:	E402	LDI	R16,0x42	Load immediate
+000003F6:	2F40	MOV	R20,R16	Copy register
+000003F7:	D0EE	RCALL	PC+0x00EF	Relative call subroutine
+000003F8:	E604	LDI	R16,0x64	Load immediate
+000003F9:	2F40	MOV	R20,R16	Copy register
+000003FA:	D0EB	RCALL	PC+0x00EC	Relative call subroutine
+000003FB:	E608	LDI	R16,0x68	Load immediate
+000003FC:	B90D	OUT	0x0D,R16	Out to I/O location
+000003FD:	E006	LDI	R16,0x06	Load immediate
+000003FE:	BF03	OUT	0x33,R16	Out to I/O location
+000003FF:	9A93	SBI	0x12,3	Set bit in I/O register
+00000400:	E800	LDI	R16,0x80	Load immediate
+00000401:	2744	CLR	R20	Clear Register
+00000402:	2466	CLR	R6	Clear Register
+00000403:	0000	NOP		No operation
+00000404:	946A	DEC	R6	Decrement
+00000405:	F7E9	BRNE	PC-0x02	Branch if not equal
+00000406:	954A	DEC	R20	Decrement
+00000407:	F7D9	BRNE	PC-0x04	Branch if not equal
+00000408:	950A	DEC	R16	Decrement

+00000409:	F7C9	BRNE	PC-0x06	Branch if not equal
+0000040A:	E04C	LDI	R20,0x0C	Load immediate
+0000040B:	D0DA	RCALL	PC+0x00DB	Relative call subroutine
+0000040C:	2700	CLR	R16	Clear Register
+0000040D:	BF02	OUT	0x32,R16	Out to I/O location
+0000040E:	27EE	CLR	R30	Clear Register
+0000040F:	27FF	CLR	R31	Clear Register
+00000410:	2466	CLR	R6	Clear Register
+00000411:	B702	IN	R16,0x32	In from I/O location
+00000412:	2300	TST	R16	Test for Zero or Minus
+00000413:	F059	BREQ	PC+0x0C	Branch if equal
+00000414:	1660	CP	R6,R16	Compare
+00000415:	F021	BREQ	PC+0x05	Branch if equal
+00000416:	27EE	CLR	R30	Clear Register
+00000417:	27FF	CLR	R31	Clear Register
+00000418:	2E60	MOV	R6,R16	Copy register
+00000419:	C00B	RJMP	PC+0x000C	Relative jump
+0000041A:	9631	ADIW	R30,0x01	Add immediate to word
+0000041B:	F419	BRNE	PC+0x04	Branch if not equal
+0000041C:	2700	CLR	R16	Clear Register
+0000041D:	BF02	OUT	0x32,R16	Out to I/O location
+0000041E:	9A93	SBI	0x12,3	Set bit in I/O register
+0000041F:	9B5F	SBIS	0x0B,7	Skip if bit in I/O register set
+00000420:	CFF0	RJMP	PC-0x000F	Relative jump
+00000421:	B10C	IN	R16,0x0C	In from I/O location
+00000422:	2F40	MOV	R20,R16	Copy register
+00000423:	D0C2	RCALL	PC+0x00C3	Relative call subroutine
+00000424:	CFEC	RJMP	PC-0x0013	Relative jump
+00000425:	3001	CPI	R16,0x01	Compare with immediate
+00000426:	F421	BRNE	PC+0x05	Branch if not equal
+00000427:	27EE	CLR	R30	Clear Register
+00000428:	27FF	CLR	R31	Clear Register
+00000429:	9893	CBI	0x12,3	Clear bit in I/O register
+0000042A:	CFF4	RJMP	PC-0x000B	Relative jump

+0000042B:	300B	CPI	R16,0x0B	Compare with immediate
+0000042C:	F421	BRNE	PC+0x05	Branch if not equal
+0000042D:	27EE	CLR	R30	Clear Register
+0000042E:	27FF	CLR	R31	Clear Register
+0000042F:	BFE2	OUT	0x32,R30	Out to I/O location
+00000430:	CFEE	RJMP	PC-0x0011	Relative jump
+00000431:	3009	CPI	R16,0x09	Compare with immediate
+00000432:	F019	BREQ	PC+0x04	Branch if equal
+00000433:	27EE	CLR	R30	Clear Register
+00000434:	27FF	CLR	R31	Clear Register
+00000435:	CFE9	RJMP	PC-0x0016	Relative jump
+00000436:	9B77	SBIS	0x0E,7	Skip if bit in I/O register set
+00000437:	CFFE	RJMP	PC-0x0001	Relative jump
+00000438:	B10F	IN	R16,0x0F	In from I/O location
+00000439:	2F40	MOV	R20,R16	Copy register
+0000043A:	9A93	SBI	0x12,3	Set bit in I/O register
+0000043B:	FCC0	SBRC	R12,0	Skip if bit in register cleared
+0000043C:	C051	RJMP	PC+0x0052	Relative jump
+0000043D:	3F40	CPI	R20,0xF0	Compare with immediate
+0000043E:	F419	BRNE	PC+0x04	Branch if not equal
+0000043F:	E001	LDI	R16,0x01	Load immediate
+00000440:	2AC0	OR	R12,R16	Logical OR
+00000441:	CFDD	RJMP	PC-0x0022	Relative jump
+00000442:	3142	CPI	R20,0x12	Compare with immediate
+00000443:	F419	BRNE	PC+0x04	Branch if not equal
+00000444:	E800	LDI	R16,0x80	Load immediate
+00000445:	2AC0	OR	R12,R16	Logical OR
+00000446:	CFD8	RJMP	PC-0x0027	Relative jump
+00000447:	3549	CPI	R20,0x59	Compare with immediate
+00000448:	F419	BRNE	PC+0x04	Branch if not equal
+00000449:	E800	LDI	R16,0x80	Load immediate
+0000044A:	2AC0	OR	R12,R16	Logical OR
+0000044B:	CFD3	RJMP	PC-0x002C	Relative jump
+0000044C:	3047	CPI	R20,0x07	Compare with immediate

+0000044D:	F419	BRNE	PC+0x04	Branch if not equal
+0000044E:	E001	LDI	R16,0x01	Load immediate
+0000044F:	2A20	OR	R2,R16	Logical OR
+00000450:	CFCE	RJMP	PC-0x0031	Relative jump
+00000451:	3141	CPI	R20,0x11	Compare with immediate
+00000452:	F419	BRNE	PC+0x04	Branch if not equal
+00000453:	2477	CLR	R7	Clear Register
+00000454:	9473	INC	R7	Increment
+00000455:	CFC9	RJMP	PC-0x0036	Relative jump
+00000456:	2077	TST	R7	Test for Zero or Minus
+00000457:	F081	BREQ	PC+0x11	Branch if equal
+00000458:	FE70	SBRS	R7,0	Skip if bit in register set
+00000459:	C005	RJMP	PC+0x0006	Relative jump
+0000045A:	9473	INC	R7	Increment
+0000045B:	D126	RCALL	PC+0x0127	Relative call subroutine
+0000045C:	9542	SWAP	R20	Swap nibbles
+0000045D:	2E84	MOV	R8,R20	Copy register
+0000045E:	CFC0	RJMP	PC-0x003F	Relative jump
+0000045F:	FE71	SBRS	R7,1	Skip if bit in register set
+00000460:	C005	RJMP	PC+0x0006	Relative jump
+00000461:	2477	CLR	R7	Clear Register
+00000462:	D11F	RCALL	PC+0x0120	Relative call subroutine
+00000463:	2A84	OR	R8,R20	Logical OR
+00000464:	D03B	RCALL	PC+0x003C	Relative call subroutine
+00000465:	CFB9	RJMP	PC-0x0046	Relative jump
+00000466:	2477	CLR	R7	Clear Register
+00000467:	CFB7	RJMP	PC-0x0048	Relative jump
+00000468:	3E40	CPI	R20,0xE0	Compare with immediate
+00000469:	F409	BRNE	PC+0x02	Branch if not equal
+0000046A:	CFB4	RJMP	PC-0x004B	Relative jump
+0000046B:	2022	TST	R2	Test for Zero or Minus
+0000046C:	F019	BREQ	PC+0x04	Branch if equal
+0000046D:	E003	LDI	R16,0x03	Load immediate
+0000046E:	1620	CP	R2,R16	Compare

+0000046F:	F499	BRNE	PC+0x14	Branch if not equal
+00000470:	3548	CPI	R20,0x58	Compare with immediate
+00000471:	F441	BRNE	PC+0x09	Branch if not equal
+00000472:	FCC1	SBRC	R12,1	Skip if bit in register cleared
+00000473:	C003	RJMP	PC+0x0004	Relative jump
+00000474:	E002	LDI	R16,0x02	Load immediate
+00000475:	2AC0	OR	R12,R16	Logical OR
+00000476:	CFA8	RJMP	PC-0x0057	Relative jump
+00000477:	EF0D	LDI	R16,0xFD	Load immediate
+00000478:	22C0	AND	R12,R16	Logical AND
+00000479:	CFA5	RJMP	PC-0x005A	Relative jump
+0000047A:	E0FC	LDI	R31,0x0C	Load immediate
+0000047B:	2FE4	MOV	R30,R20	Copy register
+0000047C:	FCC7	SBRC	R12,7	Skip if bit in register cleared
+0000047D:	68E0	ORI	R30,0x80	Logical OR with immediate
+0000047E:	FCC1	SBRC	R12,1	Skip if bit in register cleared
+0000047F:	68E0	ORI	R30,0x80	Logical OR with immediate
+00000480:	9084	LPM	R8,Z	Load program memory
+00000481:	D01E	RCALL	PC+0x001F	Relative call subroutine
+00000482:	CF9C	RJMP	PC-0x0063	Relative jump
+00000483:	2E84	MOV	R8,R20	Copy register
+00000484:	9482	SWAP	R8	Swap nibbles
+00000485:	D166	RCALL	PC+0x0167	Relative call subroutine
+00000486:	D019	RCALL	PC+0x001A	Relative call subroutine
+00000487:	2E84	MOV	R8,R20	Copy register
+00000488:	D163	RCALL	PC+0x0164	Relative call subroutine
+00000489:	D016	RCALL	PC+0x0017	Relative call subroutine
+0000048A:	E200	LDI	R16,0x20	Load immediate
+0000048B:	2E80	MOV	R8,R16	Copy register
+0000048C:	D013	RCALL	PC+0x0014	Relative call subroutine
+0000048D:	CF91	RJMP	PC-0x006E	Relative jump
+0000048E:	EF0E	LDI	R16,0xFE	Load immediate
+0000048F:	22C0	AND	R12,R16	Logical AND
+00000490:	3142	CPI	R20,0x12	Compare with immediate

+00000491:	F419	BRNE	PC+0x04	Branch if not equal
+00000492:	E70F	LDI	R16,0x7F	Load immediate
+00000493:	22C0	AND	R12,R16	Logical AND
+00000494:	CF8A	RJMP	PC-0x0075	Relative jump
+00000495:	3549	CPI	R20,0x59	Compare with immediate
+00000496:	F419	BRNE	PC+0x04	Branch if not equal
+00000497:	E70F	LDI	R16,0x7F	Load immediate
+00000498:	22C0	AND	R12,R16	Logical AND
+00000499:	CF85	RJMP	PC-0x007A	Relative jump
+0000049A:	3047	CPI	R20,0x07	Compare with immediate
+0000049B:	F419	BRNE	PC+0x04	Branch if not equal
+0000049C:	9423	INC	R2	Increment
+0000049D:	E003	LDI	R16,0x03	Load immediate
+0000049E:	2220	AND	R2,R16	Logical AND
+0000049F:	CF7F	RJMP	PC-0x0080	Relative jump
+000004A0:	9B5D	SBIS	0x0B,5	Skip if bit in I/O register set
+000004A1:	CFFE	RJMP	PC-0x0001	Relative jump
+000004A2:	2D08	MOV	R16,R8	Copy register
+000004A3:	B90C	OUT	0x0C,R16	Out to I/O location
+000004A4:	9508	RET		Subroutine return
+000004A5:	92BF	PUSH	R11	Push register on stack
+000004A6:	D033	RCALL	PC+0x0034	Relative call subroutine
+000004A7:	90BF	POP	R11	Pop register from stack
+000004A8:	C090	RJMP	PC+0x0091	Relative jump
+000004A9:	24BB	CLR	R11	Clear Register
+000004AA:	C08E	RJMP	PC+0x008F	Relative jump
+000004AB:	E6A0	LDI	R26,0x60	Load immediate
+000004AC:	27BB	CLR	R27	Clear Register
+000004AD:	E240	LDI	R20,0x20	Load immediate
+000004AE:	934D	ST	X+,R20	Store indirect and postincrement
+000004AF:	30B4	CPI	R27,0x04	Compare with immediate
+000004B0:	F7E9	BRNE	PC-0x02	Branch if not equal
+000004B1:	34A8	CPI	R26,0x48	Compare with immediate
+000004B2:	F7D9	BRNE	PC-0x04	Branch if not equal

+000004B3:	E6A0	LDI	R26,0x60	Load immediate
+000004B4:	27BB	CLR	R27	Clear Register
+000004B5:	017D	MOVW	R14,R26	Copy register pair
+000004B6:	012D	MOVW	R4,R26	Copy register pair
+000004B7:	24BB	CLR	R11	Clear Register
+000004B8:	24AA	CLR	R10	Clear Register
+000004B9:	9508	RET		Subroutine return
+000004BA:	FB40	BST	R20,0	Bit store from register to T
+000004BB:	F8C6	BLD	R12,6	Bit load from T to register
+000004BC:	9508	RET		Subroutine return
+000004BD:	20BB	TST	R11	Test for Zero or Minus
+000004BE:	F3E9	BREQ	PC-0x02	Branch if equal
+000004BF:	01D2	MOVW	R26,R4	Copy register pair
+000004C0:	9711	SBIW	R26,0x01	Subtract immediate from word
+000004C1:	934C	ST	X,R20	Store indirect
+000004C2:	012D	MOVW	R4,R26	Copy register pair
+000004C3:	94BA	DEC	R11	Decrement
+000004C4:	9508	RET		Subroutine return
+000004C5:	E200	LDI	R16,0x20	Load immediate
+000004C6:	2AC0	OR	R12,R16	Logical OR
+000004C7:	9508	RET		Subroutine return
+000004C8:	E100	LDI	R16,0x10	Load immediate
+000004C9:	2AC0	OR	R12,R16	Logical OR
+000004CA:	9508	RET		Subroutine return
+000004CB:	01D2	MOVW	R26,R4	Copy register pair
+000004CC:	9611	ADIW	R26,0x01	Add immediate to word
+000004CD:	94B3	INC	R11	Increment
+000004CE:	E007	LDI	R16,0x07	Load immediate
+000004CF:	210B	AND	R16,R11	Logical AND
+000004D0:	F7D9	BRNE	PC-0x04	Branch if not equal
+000004D1:	E208	LDI	R16,0x28	Load immediate
+000004D2:	150B	CP	R16,R11	Compare
+000004D3:	F5D1	BRNE	PC+0x3B	Branch if not equal
+000004D4:	C03B	RJMP	PC+0x003C	Relative jump

+000004D5:	FEC3	SBRS	R12,3	Skip if bit in register set
+000004D6:	CFCE	RJMP	PC-0x0031	Relative jump
+000004D7:	C002	RJMP	PC+0x0003	Relative jump
+000004D8:	FEC3	SBRS	R12,3	Skip if bit in register set
+000004D9:	CFCF	RJMP	PC-0x0030	Relative jump
+000004DA:	01D2	MOVW	R26,R4	Copy register pair
+000004DB:	2D0B	MOV	R16,R11	Copy register
+000004DC:	9611	ADIW	R26,0x01	Add immediate to word
+000004DD:	9503	INC	R16	Increment
+000004DE:	3208	CPI	R16,0x28	Compare with immediate
+000004DF:	F7E1	BRNE	PC-0x03	Branch if not equal
+000004E0:	C02F	RJMP	PC+0x0030	Relative jump
+000004E1:	FB40	BST	R20,0	Bit store from register to T
+000004E2:	F8C3	BLD	R12,3	Bit load from T to register
+000004E3:	9508	RET		Subroutine return
+000004E4:	CFC6	RJMP	PC-0x0039	Relative jump
+000004E5:	CFD4	RJMP	PC-0x002B	Relative jump
+000004E6:	E200	LDI	R16,0x20	Load immediate
+000004E7:	210C	AND	R16,R12	Logical AND
+000004E8:	F009	BREQ	PC+0x02	Branch if equal
+000004E9:	C042	RJMP	PC+0x0043	Relative jump
+000004EA:	E100	LDI	R16,0x10	Load immediate
+000004EB:	210C	AND	R16,R12	Logical AND
+000004EC:	F009	BREQ	PC+0x02	Branch if equal
+000004ED:	C045	RJMP	PC+0x0046	Relative jump
+000004EE:	304C	CPI	R20,0x0C	Compare with immediate
+000004EF:	F3A1	BREQ	PC-0x0B	Branch if equal
+000004F0:	3048	CPI	R20,0x08	Compare with immediate
+000004F1:	F259	BREQ	PC-0x34	Branch if equal
+000004F2:	3049	CPI	R20,0x09	Compare with immediate
+000004F3:	F2B9	BREQ	PC-0x28	Branch if equal
+000004F4:	304A	CPI	R20,0x0A	Compare with immediate
+000004F5:	F2F9	BREQ	PC-0x20	Branch if equal
+000004F6:	304D	CPI	R20,0x0D	Compare with immediate

+000004F7:	F301	BREQ	PC-0x1F	Branch if equal
+000004F8:	3041	CPI	R20,0x01	Compare with immediate
+000004F9:	F339	BREQ	PC-0x18	Branch if equal
+000004FA:	3042	CPI	R20,0x02	Compare with immediate
+000004FB:	F329	BREQ	PC-0x1A	Branch if equal
+000004FC:	3141	CPI	R20,0x11	Compare with immediate
+000004FD:	F339	BREQ	PC-0x18	Branch if equal
+000004FE:	3142	CPI	R20,0x12	Compare with immediate
+000004FF:	F329	BREQ	PC-0x1A	Branch if equal
+00000500:	3143	CPI	R20,0x13	Compare with immediate
+00000501:	F219	BREQ	PC-0x3C	Branch if equal
+00000502:	3144	CPI	R20,0x14	Compare with immediate
+00000503:	F221	BREQ	PC-0x3B	Branch if equal
+00000504:	EC00	LDI	R16,0xC0	Load immediate
+00000505:	2304	AND	R16,R20	Logical AND
+00000506:	3C00	CPI	R16,0xC0	Compare with immediate
+00000507:	F039	BREQ	PC+0x08	Branch if equal
+00000508:	01D2	MOVW	R26,R4	Copy register pair
+00000509:	934D	ST	X+,R20	Store indirect and postincrement
+0000050A:	94B3	INC	R11	Increment
+0000050B:	E208	LDI	R16,0x28	Load immediate
+0000050C:	16B0	CP	R11,R16	Compare
+0000050D:	F011	BREQ	PC+0x03	Branch if equal
+0000050E:	012D	MOVW	R4,R26	Copy register pair
+0000050F:	9508	RET		Subroutine return
+00000510:	24BB	CLR	R11	Clear Register
+00000511:	E108	LDI	R16,0x18	Load immediate
+00000512:	16A0	CP	R10,R16	Compare
+00000513:	F011	BREQ	PC+0x03	Branch if equal
+00000514:	94A3	INC	R10	Increment
+00000515:	CFE8	RJMP	PC-0x0007	Relative jump
+00000516:	30B4	CPI	R27,0x04	Compare with immediate
+00000517:	F421	BRNE	PC+0x05	Branch if not equal
+00000518:	34A8	CPI	R26,0x48	Compare with immediate

+00000519:	F411	BRNE	PC+0x03	Branch if not equal
+0000051A:	27BB	CLR	R27	Clear Register
+0000051B:	E6A0	LDI	R26,0x60	Load immediate
+0000051C:	012D	MOVW	R4,R26	Copy register pair
+0000051D:	E208	LDI	R16,0x28	Load immediate
+0000051E:	E240	LDI	R20,0x20	Load immediate
+0000051F:	934D	ST	X+,R20	Store indirect and postincrement
+00000520:	950A	DEC	R16	Decrement
+00000521:	F7E9	BRNE	PC-0x02	Branch if not equal
+00000522:	01D7	MOVW	R26,R14	Copy register pair
+00000523:	9698	ADIW	R26,0x28	Add immediate to word
+00000524:	30B4	CPI	R27,0x04	Compare with immediate
+00000525:	F421	BRNE	PC+0x05	Branch if not equal
+00000526:	34A8	CPI	R26,0x48	Compare with immediate
+00000527:	F411	BRNE	PC+0x03	Branch if not equal
+00000528:	27BB	CLR	R27	Clear Register
+00000529:	E6A0	LDI	R26,0x60	Load immediate
+0000052A:	017D	MOVW	R14,R26	Copy register pair
+0000052B:	9508	RET		Subroutine return
+0000052C:	ED0F	LDI	R16,0xDF	Load immediate
+0000052D:	22C0	AND	R12,R16	Logical AND
+0000052E:	ED08	LDI	R16,0xD8	Load immediate
+0000052F:	0F04	ADD	R16,R20	Add without carry
+00000530:	F3D0	BRCS	PC-0x05	Branch if carry set
+00000531:	2EB4	MOV	R11,R20	Copy register
+00000532:	C006	RJMP	PC+0x0007	Relative jump
+00000533:	EE0F	LDI	R16,0xEF	Load immediate
+00000534:	22C0	AND	R12,R16	Logical AND
+00000535:	EE07	LDI	R16,0xE7	Load immediate
+00000536:	0F04	ADD	R16,R20	Add without carry
+00000537:	F398	BRCS	PC-0x0C	Branch if carry set
+00000538:	2EA4	MOV	R10,R20	Copy register
+00000539:	01D7	MOVW	R26,R14	Copy register pair
+0000053A:	2D0A	MOV	R16,R10	Copy register

+0000053B:	2300	TST	R16	Test for Zero or Minus
+0000053C:	F049	BREQ	PC+0x0A	Branch if equal
+0000053D:	9698	ADIW	R26,0x28	Add immediate to word
+0000053E:	30B4	CPI	R27,0x04	Compare with immediate
+0000053F:	F421	BRNE	PC+0x05	Branch if not equal
+00000540:	34A8	CPI	R26,0x48	Compare with immediate
+00000541:	F411	BRNE	PC+0x03	Branch if not equal
+00000542:	27BB	CLR	R27	Clear Register
+00000543:	E6A0	LDI	R26,0x60	Load immediate
+00000544:	950A	DEC	R16	Decrement
+00000545:	CF5	RJMP	PC-0x000A	Relative jump
+00000546:	0DAB	ADD	R26,R11	Add without carry
+00000547:	F408	BRCC	PC+0x02	Branch if carry cleared
+00000548:	95B3	INC	R27	Increment
+00000549:	012D	MOVW	R4,R26	Copy register pair
+0000054A:	9508	RET		Subroutine return
+0000054B:	9478	SEI		Global Interrupt Enable
+0000054C:	0000	NOP		No operation
+0000054D:	0000	NOP		No operation
+0000054E:	0000	NOP		No operation
+0000054F:	0000	NOP		No operation
+00000550:	0000	NOP		No operation
+00000551:	0000	NOP		No operation
+00000552:	0000	NOP		No operation
+00000553:	0000	NOP		No operation
+00000554:	0000	NOP		No operation
+00000555:	0000	NOP		No operation
+00000556:	0000	NOP		No operation
+00000557:	0000	NOP		No operation
+00000558:	0000	NOP		No operation
+00000559:	0000	NOP		No operation
+0000055A:	0000	NOP		No operation
+0000055B:	0000	NOP		No operation
+0000055C:	0000	NOP		No operation

+0000055D:	0000	NOP	No operation
+0000055E:	0000	NOP	No operation
+0000055F:	0000	NOP	No operation
+00000560:	0000	NOP	No operation
+00000561:	0000	NOP	No operation
+00000562:	0000	NOP	No operation
+00000563:	0000	NOP	No operation
+00000564:	0000	NOP	No operation
+00000565:	0000	NOP	No operation
+00000566:	0000	NOP	No operation
+00000567:	0000	NOP	No operation
+00000568:	0000	NOP	No operation
+00000569:	0000	NOP	No operation
+0000056A:	0000	NOP	No operation
+0000056B:	0000	NOP	No operation
+0000056C:	0000	NOP	No operation
+0000056D:	0000	NOP	No operation
+0000056E:	0000	NOP	No operation
+0000056F:	0000	NOP	No operation
+00000570:	0000	NOP	No operation
+00000571:	0000	NOP	No operation
+00000572:	0000	NOP	No operation
+00000573:	0000	NOP	No operation
+00000574:	0000	NOP	No operation
+00000575:	0000	NOP	No operation
+00000576:	0000	NOP	No operation
+00000577:	0000	NOP	No operation
+00000578:	0000	NOP	No operation
+00000579:	0000	NOP	No operation
+0000057A:	0000	NOP	No operation
+0000057B:	0000	NOP	No operation
+0000057C:	0000	NOP	No operation
+0000057D:	0000	NOP	No operation
+0000057E:	0000	NOP	No operation

+0000057F:	0000	NOP		No operation
+00000580:	0000	NOP		No operation
+00000581:	CFCA	RJMP	PC-0x0035	Relative jump
+00000582:	3740	CPI	R20,0x70	Compare with immediate
+00000583:	F411	BRNE	PC+0x03	Branch if not equal
+00000584:	E040	LDI	R20,0x00	Load immediate
+00000585:	9508	RET		Subroutine return
+00000586:	3445	CPI	R20,0x45	Compare with immediate
+00000587:	F411	BRNE	PC+0x03	Branch if not equal
+00000588:	E040	LDI	R20,0x00	Load immediate
+00000589:	9508	RET		Subroutine return
+0000058A:	3649	CPI	R20,0x69	Compare with immediate
+0000058B:	F411	BRNE	PC+0x03	Branch if not equal
+0000058C:	E041	LDI	R20,0x01	Load immediate
+0000058D:	9508	RET		Subroutine return
+0000058E:	3146	CPI	R20,0x16	Compare with immediate
+0000058F:	F411	BRNE	PC+0x03	Branch if not equal
+00000590:	E041	LDI	R20,0x01	Load immediate
+00000591:	9508	RET		Subroutine return
+00000592:	3742	CPI	R20,0x72	Compare with immediate
+00000593:	F411	BRNE	PC+0x03	Branch if not equal
+00000594:	E042	LDI	R20,0x02	Load immediate
+00000595:	9508	RET		Subroutine return
+00000596:	314E	CPI	R20,0x1E	Compare with immediate
+00000597:	F411	BRNE	PC+0x03	Branch if not equal
+00000598:	E042	LDI	R20,0x02	Load immediate
+00000599:	9508	RET		Subroutine return
+0000059A:	374A	CPI	R20,0x7A	Compare with immediate
+0000059B:	F411	BRNE	PC+0x03	Branch if not equal
+0000059C:	E043	LDI	R20,0x03	Load immediate
+0000059D:	9508	RET		Subroutine return
+0000059E:	3246	CPI	R20,0x26	Compare with immediate
+0000059F:	F411	BRNE	PC+0x03	Branch if not equal
+000005A0:	E043	LDI	R20,0x03	Load immediate

+000005A1:	9508	RET	Subroutine return
+000005A2:	364B	CPI R20,0x6B	Compare with immediate
+000005A3:	F411	BRNE PC+0x03	Branch if not equal
+000005A4:	E044	LDI R20,0x04	Load immediate
+000005A5:	9508	RET	Subroutine return
+000005A6:	3245	CPI R20,0x25	Compare with immediate
+000005A7:	F411	BRNE PC+0x03	Branch if not equal
+000005A8:	E044	LDI R20,0x04	Load immediate
+000005A9:	9508	RET	Subroutine return
+000005AA:	3743	CPI R20,0x73	Compare with immediate
+000005AB:	F411	BRNE PC+0x03	Branch if not equal
+000005AC:	E045	LDI R20,0x05	Load immediate
+000005AD:	9508	RET	Subroutine return
+000005AE:	324E	CPI R20,0x2E	Compare with immediate
+000005AF:	F411	BRNE PC+0x03	Branch if not equal
+000005B0:	E045	LDI R20,0x05	Load immediate
+000005B1:	9508	RET	Subroutine return
+000005B2:	3744	CPI R20,0x74	Compare with immediate
+000005B3:	F411	BRNE PC+0x03	Branch if not equal
+000005B4:	E046	LDI R20,0x06	Load immediate
+000005B5:	9508	RET	Subroutine return
+000005B6:	3346	CPI R20,0x36	Compare with immediate
+000005B7:	F411	BRNE PC+0x03	Branch if not equal
+000005B8:	E046	LDI R20,0x06	Load immediate
+000005B9:	9508	RET	Subroutine return
+000005BA:	364C	CPI R20,0x6C	Compare with immediate
+000005BB:	F411	BRNE PC+0x03	Branch if not equal
+000005BC:	E047	LDI R20,0x07	Load immediate
+000005BD:	9508	RET	Subroutine return
+000005BE:	334D	CPI R20,0x3D	Compare with immediate
+000005BF:	F411	BRNE PC+0x03	Branch if not equal
+000005C0:	E047	LDI R20,0x07	Load immediate
+000005C1:	9508	RET	Subroutine return
+000005C2:	3745	CPI R20,0x75	Compare with immediate

+000005C3:	F411	BRNE	PC+0x03	Branch if not equal
+000005C4:	E048	LDI	R20,0x08	Load immediate
+000005C5:	9508	RET		Subroutine return
+000005C6:	334E	CPI	R20,0x3E	Compare with immediate
+000005C7:	F411	BRNE	PC+0x03	Branch if not equal
+000005C8:	E048	LDI	R20,0x08	Load immediate
+000005C9:	9508	RET		Subroutine return
+000005CA:	374D	CPI	R20,0x7D	Compare with immediate
+000005CB:	F411	BRNE	PC+0x03	Branch if not equal
+000005CC:	E049	LDI	R20,0x09	Load immediate
+000005CD:	9508	RET		Subroutine return
+000005CE:	3446	CPI	R20,0x46	Compare with immediate
+000005CF:	F411	BRNE	PC+0x03	Branch if not equal
+000005D0:	E049	LDI	R20,0x09	Load immediate
+000005D1:	9508	RET		Subroutine return
+000005D2:	314C	CPI	R20,0x1C	Compare with immediate
+000005D3:	F411	BRNE	PC+0x03	Branch if not equal
+000005D4:	E04A	LDI	R20,0x0A	Load immediate
+000005D5:	9508	RET		Subroutine return
+000005D6:	3342	CPI	R20,0x32	Compare with immediate
+000005D7:	F411	BRNE	PC+0x03	Branch if not equal
+000005D8:	E04B	LDI	R20,0x0B	Load immediate
+000005D9:	9508	RET		Subroutine return
+000005DA:	3241	CPI	R20,0x21	Compare with immediate
+000005DB:	F411	BRNE	PC+0x03	Branch if not equal
+000005DC:	E04C	LDI	R20,0x0C	Load immediate
+000005DD:	9508	RET		Subroutine return
+000005DE:	3243	CPI	R20,0x23	Compare with immediate
+000005DF:	F411	BRNE	PC+0x03	Branch if not equal
+000005E0:	E04D	LDI	R20,0x0D	Load immediate
+000005E1:	9508	RET		Subroutine return
+000005E2:	3244	CPI	R20,0x24	Compare with immediate
+000005E3:	F411	BRNE	PC+0x03	Branch if not equal
+000005E4:	E04E	LDI	R20,0x0E	Load immediate

+000005E5:	9508	RET		Subroutine return
+000005E6:	324B	CPI	R20,0x2B	Compare with immediate
+000005E7:	F411	BRNE	PC+0x03	Branch if not equal
+000005E8:	E04F	LDI	R20,0x0F	Load immediate
+000005E9:	9508	RET		Subroutine return
+000005EA:	2744	CLR	R20	Clear Register
+000005EB:	9508	RET		Subroutine return
+000005EC:	2D08	MOV	R16,R8	Copy register
+000005ED:	700F	ANDI	R16,0x0F	Logical AND with immediate
+000005EE:	6300	ORI	R16,0x30	Logical OR with immediate
+000005EF:	330A	CPI	R16,0x3A	Compare with immediate
+000005F0:	F008	BRCS	PC+0x02	Branch if carry set
+000005F1:	5F09	SUBI	R16,0xF9	Subtract immediate
+000005F2:	2E80	MOV	R8,R16	Copy register
+000005F3:	9508	RET		Subroutine return
+000005F4:	FFFF	???		Data or unknown opcode
+000005F5:	FFFF	???		Data or unknown opcode
+000005F6:	FFFF	???		Data or unknown opcode
+000005F7:	FFFF	???		Data or unknown opcode
+000005F8:	FFFF	???		Data or unknown opcode
+000005F9:	FFFF	???		Data or unknown opcode
+000005FA:	FFFF	???		Data or unknown opcode
+000005FB:	FFFF	???		Data or unknown opcode
+000005FC:	FFFF	???		Data or unknown opcode
+000005FD:	FFFF	???		Data or unknown opcode
+000005FE:	FFFF	???		Data or unknown opcode
+000005FF:	FFFF	???		Data or unknown opcode
+00000600:	F920	BLD	R18,0	Bit load from T to register
+00000601:	F520	BRCC	PC+0x25	Branch if carry cleared
+00000602:	F1F3	BRVS	PC+0x3F	Branch if overflow flag is set
+00000603:	20F2	AND	R15,R2	Logical AND
+00000604:	FA20	BST	R2,0	Bit store from register to T
+00000605:	F6F8	BRCC	PC-0x20	Branch if carry cleared
+00000606:	09F4	SBC	R31,R4	Subtract with carry

+00000607:	2060	AND	R6,R0	Logical AND
+00000608:	2020	AND	R2,R0	Logical AND
+00000609:	2020	AND	R2,R0	Logical AND
+0000060A:	7120	ANDI	R18,0x10	Logical AND with immediate
+0000060B:	2031	AND	R3,R1	Logical AND
+0000060C:	2020	AND	R2,R0	Logical AND
+0000060D:	737A	ANDI	R23,0x3A	Logical AND with immediate
+0000060E:	7761	ANDI	R22,0x71	Logical AND with immediate
+0000060F:	2032	AND	R3,R2	Logical AND
+00000610:	6320	ORI	R18,0x30	Logical OR with immediate
+00000611:	6478	ORI	R23,0x48	Logical OR with immediate
+00000612:	3465	CPI	R22,0x45	Compare with immediate
+00000613:	2033	TST	R3	Test for Zero or Minus
+00000614:	2020	AND	R2,R0	Logical AND
+00000615:	6676	ORI	R23,0x66	Logical OR with immediate
+00000616:	7274	ANDI	R23,0x24	Logical AND with immediate
+00000617:	2035	AND	R3,R5	Logical AND
+00000618:	6E20	ORI	R18,0xE0	Logical OR with immediate
+00000619:	6862	ORI	R22,0x82	Logical OR with immediate
+0000061A:	7967	ANDI	R22,0x97	Logical AND with immediate
+0000061B:	2036	AND	R3,R6	Logical AND
+0000061C:	2C20	MOV	R2,R0	Copy register
+0000061D:	6A6D	ORI	R22,0xAD	Logical OR with immediate
+0000061E:	3775	CPI	R23,0x75	Compare with immediate
+0000061F:	2038	AND	R3,R8	Logical AND
+00000620:	2C20	MOV	R2,R0	Copy register
+00000621:	696B	ORI	R22,0x9B	Logical OR with immediate
+00000622:	306F	CPI	R22,0x0F	Compare with immediate
+00000623:	2039	AND	R3,R9	Logical AND
+00000624:	2E20	MOV	R2,R16	Copy register
+00000625:	6C2F	ORI	R18,0xCF	Logical OR with immediate
+00000626:	703B	ANDI	R19,0x0B	Logical AND with immediate
+00000627:	202D	AND	R2,R13	Logical AND
+00000628:	2020	AND	R2,R0	Logical AND

+00000629:	2027	AND	R2,R7	Logical AND
+0000062A:	3D5B	CPI	R21,0xDB	Compare with immediate
+0000062B:	2020	AND	R2,R0	Logical AND
+0000062C:	2020	AND	R2,R0	Logical AND
+0000062D:	5D0D	SUBI	R16,0xDD	Subtract immediate
+0000062E:	5C20	SUBI	R18,0xC0	Subtract immediate
+0000062F:	2720	EOR	R18,R16	Exclusive OR
+00000630:	3C20	CPI	R18,0xC0	Compare with immediate
+00000631:	2020	AND	R2,R0	Logical AND
+00000632:	2020	AND	R2,R0	Logical AND
+00000633:	2008	AND	R0,R8	Logical AND
+00000634:	3120	CPI	R18,0x10	Compare with immediate
+00000635:	3420	CPI	R18,0x40	Compare with immediate
+00000636:	2037	AND	R3,R7	Logical AND
+00000637:	2020	AND	R2,R0	Logical AND
+00000638:	2C30	MOV	R3,R0	Copy register
+00000639:	3532	CPI	R19,0x52	Compare with immediate
+0000063A:	3836	CPI	R19,0x86	Compare with immediate
+0000063B:	201B	AND	R1,R11	Logical AND
+0000063C:	2B20	OR	R18,R16	Logical OR
+0000063D:	2D33	MOV	R19,R3	Copy register
+0000063E:	392A	CPI	R18,0x9A	Compare with immediate
+0000063F:	2020	AND	R2,R0	Logical AND
+00000640:	F920	BLD	R18,0	Bit load from T to register
+00000641:	F720	BRCC	PC-0x1B	Branch if carry cleared
+00000642:	F1F3	BRVS	PC+0x3F	Branch if overflow flag is set
+00000643:	20F2	AND	R15,R2	Logical AND
+00000644:	FA20	BST	R2,0	Bit store from register to T
+00000645:	F6F8	BRCC	PC-0x20	Branch if carry cleared
+00000646:	09F4	SBC	R31,R4	Subtract with carry
+00000647:	207E	AND	R7,R14	Logical AND
+00000648:	2020	AND	R2,R0	Logical AND
+00000649:	2020	AND	R2,R0	Logical AND
+0000064A:	5120	SUBI	R18,0x10	Subtract immediate

+0000064B:	2021	AND	R2,R1	Logical AND
+0000064C:	2020	AND	R2,R0	Logical AND
+0000064D:	535A	SUBI	R21,0x3A	Subtract immediate
+0000064E:	5741	SUBI	R20,0x71	Subtract immediate
+0000064F:	2040	AND	R4,R0	Logical AND
+00000650:	4320	SBCI	R18,0x30	Subtract immediate with carry
+00000651:	4458	SBCI	R21,0x48	Subtract immediate with carry
+00000652:	2445	EOR	R4,R5	Exclusive OR
+00000653:	2023	AND	R2,R3	Logical AND
+00000654:	2020	AND	R2,R0	Logical AND
+00000655:	4656	SBCI	R21,0x66	Subtract immediate with carry
+00000656:	5254	SUBI	R21,0x24	Subtract immediate
+00000657:	2025	AND	R2,R5	Logical AND
+00000658:	4E20	SBCI	R18,0xE0	Subtract immediate with carry
+00000659:	4842	SBCI	R20,0x82	Subtract immediate with carry
+0000065A:	5947	SUBI	R20,0x97	Subtract immediate
+0000065B:	205E	AND	R5,R14	Logical AND
+0000065C:	3A20	CPI	R18,0xA0	Compare with immediate
+0000065D:	4A4D	SBCI	R20,0xAD	Subtract immediate with carry
+0000065E:	2655	EOR	R5,R21	Exclusive OR
+0000065F:	202A	AND	R2,R10	Logical AND
+00000660:	3C20	CPI	R18,0xC0	Compare with immediate
+00000661:	494B	SBCI	R20,0x9B	Subtract immediate with carry
+00000662:	294F	OR	R20,R15	Logical OR
+00000663:	2028	AND	R2,R8	Logical AND
+00000664:	3E20	CPI	R18,0xE0	Compare with immediate
+00000665:	4C3F	SBCI	R19,0xCF	Subtract immediate with carry
+00000666:	503A	SUBI	R19,0x0A	Subtract immediate
+00000667:	205F	AND	R5,R15	Logical AND
+00000668:	2020	AND	R2,R0	Logical AND
+00000669:	2022	TST	R2	Test for Zero or Minus
+0000066A:	2B7B	OR	R23,R27	Logical OR
+0000066B:	2020	AND	R2,R0	Logical AND
+0000066C:	2020	AND	R2,R0	Logical AND

+0000066D:	7D0D	ANDI	R16,0xDD	Logical AND with immediate
+0000066E:	7C20	ANDI	R18,0xC0	Logical AND with immediate
+0000066F:	2720	EOR	R18,R16	Exclusive OR
+00000670:	3EE0	CPI	R30,0xE0	Compare with immediate
+00000671:	2020	AND	R2,R0	Logical AND
+00000672:	2020	AND	R2,R0	Logical AND
+00000673:	2008	AND	R0,R8	Logical AND
+00000674:	3120	CPI	R18,0x10	Compare with immediate
+00000675:	3420	CPI	R18,0x40	Compare with immediate
+00000676:	2037	AND	R3,R7	Logical AND
+00000677:	2020	AND	R2,R0	Logical AND
+00000678:	2C30	MOV	R3,R0	Copy register
+00000679:	3532	CPI	R19,0x52	Compare with immediate
+0000067A:	3836	CPI	R19,0x86	Compare with immediate
+0000067B:	201B	AND	R1,R11	Logical AND
+0000067C:	2B20	OR	R18,R16	Logical OR
+0000067D:	2D33	MOV	R19,R3	Copy register
+0000067E:	392A	CPI	R18,0x9A	Compare with immediate
+0000067F:	2020	AND	R2,R0	Logical AND
+00000680:	FFFF	???		Data or unknown opcode
+00000681:	FFFF	???		Data or unknown opcode
+00000682:	FFFF	???		Data or unknown opcode
+00000683:	FFFF	???		Data or unknown opcode
+00000684:	FFFF	???		Data or unknown opcode
+00000685:	FFFF	???		Data or unknown opcode
+00000686:	FFFF	???		Data or unknown opcode
+00000687:	FFFF	???		Data or unknown opcode
+00000688:	FFFF	???		Data or unknown opcode
+00000689:	FFFF	???		Data or unknown opcode
+0000068A:	FFFF	???		Data or unknown opcode
+0000068B:	FFFF	???		Data or unknown opcode
+0000068C:	FFFF	???		Data or unknown opcode
+0000068D:	FFFF	???		Data or unknown opcode
+0000068E:	FFFF	???		Data or unknown opcode

+0000068F:	FFFF	???	Data or unknown opcode
+00000690:	FFFF	???	Data or unknown opcode
+00000691:	FFFF	???	Data or unknown opcode
+00000692:	FFFF	???	Data or unknown opcode
+00000693:	FFFF	???	Data or unknown opcode
+00000694:	FFFF	???	Data or unknown opcode
+00000695:	FFFF	???	Data or unknown opcode
+00000696:	FFFF	???	Data or unknown opcode
+00000697:	FFFF	???	Data or unknown opcode
+00000698:	FFFF	???	Data or unknown opcode
+00000699:	FFFF	???	Data or unknown opcode
+0000069A:	FFFF	???	Data or unknown opcode
+0000069B:	FFFF	???	Data or unknown opcode
+0000069C:	FFFF	???	Data or unknown opcode
+0000069D:	FFFF	???	Data or unknown opcode
+0000069E:	FFFF	???	Data or unknown opcode
+0000069F:	FFFF	???	Data or unknown opcode
+000006A0:	FFFF	???	Data or unknown opcode
+000006A1:	FFFF	???	Data or unknown opcode
+000006A2:	FFFF	???	Data or unknown opcode
+000006A3:	FFFF	???	Data or unknown opcode
+000006A4:	FFFF	???	Data or unknown opcode
+000006A5:	FFFF	???	Data or unknown opcode
+000006A6:	FFFF	???	Data or unknown opcode
+000006A7:	FFFF	???	Data or unknown opcode
+000006A8:	FFFF	???	Data or unknown opcode
+000006A9:	FFFF	???	Data or unknown opcode
+000006AA:	FFFF	???	Data or unknown opcode
+000006AB:	FFFF	???	Data or unknown opcode
+000006AC:	FFFF	???	Data or unknown opcode
+000006AD:	FFFF	???	Data or unknown opcode
+000006AE:	FFFF	???	Data or unknown opcode
+000006AF:	FFFF	???	Data or unknown opcode
+000006B0:	FFFF	???	Data or unknown opcode

+000006B1:	FFFF	???	Data or unknown opcode
+000006B2:	FFFF	???	Data or unknown opcode
+000006B3:	FFFF	???	Data or unknown opcode
+000006B4:	FFFF	???	Data or unknown opcode
+000006B5:	FFFF	???	Data or unknown opcode
+000006B6:	FFFF	???	Data or unknown opcode
+000006B7:	FFFF	???	Data or unknown opcode
+000006B8:	FFFF	???	Data or unknown opcode
+000006B9:	FFFF	???	Data or unknown opcode
+000006BA:	FFFF	???	Data or unknown opcode
+000006BB:	FFFF	???	Data or unknown opcode
+000006BC:	FFFF	???	Data or unknown opcode
+000006BD:	FFFF	???	Data or unknown opcode
+000006BE:	FFFF	???	Data or unknown opcode
+000006BF:	FFFF	???	Data or unknown opcode
+000006C0:	FFFF	???	Data or unknown opcode
+000006C1:	FFFF	???	Data or unknown opcode
+000006C2:	FFFF	???	Data or unknown opcode
+000006C3:	FFFF	???	Data or unknown opcode
+000006C4:	FFFF	???	Data or unknown opcode
+000006C5:	FFFF	???	Data or unknown opcode
+000006C6:	FFFF	???	Data or unknown opcode
+000006C7:	FFFF	???	Data or unknown opcode
+000006C8:	FFFF	???	Data or unknown opcode
+000006C9:	FFFF	???	Data or unknown opcode
+000006CA:	FFFF	???	Data or unknown opcode
+000006CB:	FFFF	???	Data or unknown opcode
+000006CC:	FFFF	???	Data or unknown opcode
+000006CD:	FFFF	???	Data or unknown opcode
+000006CE:	FFFF	???	Data or unknown opcode
+000006CF:	FFFF	???	Data or unknown opcode
+000006D0:	FFFF	???	Data or unknown opcode
+000006D1:	FFFF	???	Data or unknown opcode
+000006D2:	FFFF	???	Data or unknown opcode

+000006D3:	FFFF	???	Data or unknown opcode
+000006D4:	FFFF	???	Data or unknown opcode
+000006D5:	FFFF	???	Data or unknown opcode
+000006D6:	FFFF	???	Data or unknown opcode
+000006D7:	FFFF	???	Data or unknown opcode
+000006D8:	FFFF	???	Data or unknown opcode
+000006D9:	FFFF	???	Data or unknown opcode
+000006DA:	FFFF	???	Data or unknown opcode
+000006DB:	FFFF	???	Data or unknown opcode
+000006DC:	FFFF	???	Data or unknown opcode
+000006DD:	FFFF	???	Data or unknown opcode
+000006DE:	FFFF	???	Data or unknown opcode
+000006DF:	FFFF	???	Data or unknown opcode
+000006E0:	FFFF	???	Data or unknown opcode
+000006E1:	FFFF	???	Data or unknown opcode
+000006E2:	FFFF	???	Data or unknown opcode
+000006E3:	FFFF	???	Data or unknown opcode
+000006E4:	FFFF	???	Data or unknown opcode
+000006E5:	FFFF	???	Data or unknown opcode
+000006E6:	FFFF	???	Data or unknown opcode
+000006E7:	FFFF	???	Data or unknown opcode
+000006E8:	FFFF	???	Data or unknown opcode
+000006E9:	FFFF	???	Data or unknown opcode
+000006EA:	FFFF	???	Data or unknown opcode
+000006EB:	FFFF	???	Data or unknown opcode
+000006EC:	FFFF	???	Data or unknown opcode
+000006ED:	FFFF	???	Data or unknown opcode
+000006EE:	FFFF	???	Data or unknown opcode
+000006EF:	FFFF	???	Data or unknown opcode
+000006F0:	FFFF	???	Data or unknown opcode
+000006F1:	FFFF	???	Data or unknown opcode
+000006F2:	FFFF	???	Data or unknown opcode
+000006F3:	FFFF	???	Data or unknown opcode
+000006F4:	FFFF	???	Data or unknown opcode

+000006F5:	FFFF	???	Data or unknown opcode
+000006F6:	FFFF	???	Data or unknown opcode
+000006F7:	FFFF	???	Data or unknown opcode
+000006F8:	FFFF	???	Data or unknown opcode
+000006F9:	FFFF	???	Data or unknown opcode
+000006FA:	FFFF	???	Data or unknown opcode
+000006FB:	FFFF	???	Data or unknown opcode
+000006FC:	FFFF	???	Data or unknown opcode
+000006FD:	FFFF	???	Data or unknown opcode
+000006FE:	FFFF	???	Data or unknown opcode
+000006FF:	FFFF	???	Data or unknown opcode
+00000700:	FFFF	???	Data or unknown opcode
+00000701:	FFFF	???	Data or unknown opcode
+00000702:	FFFF	???	Data or unknown opcode
+00000703:	FFFF	???	Data or unknown opcode
+00000704:	FFFF	???	Data or unknown opcode
+00000705:	FFFF	???	Data or unknown opcode
+00000706:	FFFF	???	Data or unknown opcode
+00000707:	FFFF	???	Data or unknown opcode
+00000708:	FFFF	???	Data or unknown opcode
+00000709:	FFFF	???	Data or unknown opcode
+0000070A:	FFFF	???	Data or unknown opcode
+0000070B:	FFFF	???	Data or unknown opcode
+0000070C:	FFFF	???	Data or unknown opcode
+0000070D:	FFFF	???	Data or unknown opcode
+0000070E:	FFFF	???	Data or unknown opcode
+0000070F:	FFFF	???	Data or unknown opcode
+00000710:	FFFF	???	Data or unknown opcode
+00000711:	FFFF	???	Data or unknown opcode
+00000712:	FFFF	???	Data or unknown opcode
+00000713:	FFFF	???	Data or unknown opcode
+00000714:	FFFF	???	Data or unknown opcode
+00000715:	FFFF	???	Data or unknown opcode
+00000716:	FFFF	???	Data or unknown opcode

+00000717:	FFFF	???	Data or unknown opcode
+00000718:	FFFF	???	Data or unknown opcode
+00000719:	FFFF	???	Data or unknown opcode
+0000071A:	FFFF	???	Data or unknown opcode
+0000071B:	FFFF	???	Data or unknown opcode
+0000071C:	FFFF	???	Data or unknown opcode
+0000071D:	FFFF	???	Data or unknown opcode
+0000071E:	FFFF	???	Data or unknown opcode
+0000071F:	FFFF	???	Data or unknown opcode
+00000720:	FFFF	???	Data or unknown opcode
+00000721:	FFFF	???	Data or unknown opcode
+00000722:	FFFF	???	Data or unknown opcode
+00000723:	FFFF	???	Data or unknown opcode
+00000724:	FFFF	???	Data or unknown opcode
+00000725:	FFFF	???	Data or unknown opcode
+00000726:	FFFF	???	Data or unknown opcode
+00000727:	FFFF	???	Data or unknown opcode
+00000728:	FFFF	???	Data or unknown opcode
+00000729:	FFFF	???	Data or unknown opcode
+0000072A:	FFFF	???	Data or unknown opcode
+0000072B:	FFFF	???	Data or unknown opcode
+0000072C:	FFFF	???	Data or unknown opcode
+0000072D:	FFFF	???	Data or unknown opcode
+0000072E:	FFFF	???	Data or unknown opcode
+0000072F:	FFFF	???	Data or unknown opcode
+00000730:	FFFF	???	Data or unknown opcode
+00000731:	FFFF	???	Data or unknown opcode
+00000732:	FFFF	???	Data or unknown opcode
+00000733:	FFFF	???	Data or unknown opcode
+00000734:	FFFF	???	Data or unknown opcode
+00000735:	FFFF	???	Data or unknown opcode
+00000736:	FFFF	???	Data or unknown opcode
+00000737:	FFFF	???	Data or unknown opcode
+00000738:	FFFF	???	Data or unknown opcode

+00000739:	FFFF	???	Data or unknown opcode
+0000073A:	FFFF	???	Data or unknown opcode
+0000073B:	FFFF	???	Data or unknown opcode
+0000073C:	FFFF	???	Data or unknown opcode
+0000073D:	FFFF	???	Data or unknown opcode
+0000073E:	FFFF	???	Data or unknown opcode
+0000073F:	FFFF	???	Data or unknown opcode
+00000740:	FFFF	???	Data or unknown opcode
+00000741:	FFFF	???	Data or unknown opcode
+00000742:	FFFF	???	Data or unknown opcode
+00000743:	FFFF	???	Data or unknown opcode
+00000744:	FFFF	???	Data or unknown opcode
+00000745:	FFFF	???	Data or unknown opcode
+00000746:	FFFF	???	Data or unknown opcode
+00000747:	FFFF	???	Data or unknown opcode
+00000748:	FFFF	???	Data or unknown opcode
+00000749:	FFFF	???	Data or unknown opcode
+0000074A:	FFFF	???	Data or unknown opcode
+0000074B:	FFFF	???	Data or unknown opcode
+0000074C:	FFFF	???	Data or unknown opcode
+0000074D:	FFFF	???	Data or unknown opcode
+0000074E:	FFFF	???	Data or unknown opcode
+0000074F:	FFFF	???	Data or unknown opcode
+00000750:	FFFF	???	Data or unknown opcode
+00000751:	FFFF	???	Data or unknown opcode
+00000752:	FFFF	???	Data or unknown opcode
+00000753:	FFFF	???	Data or unknown opcode
+00000754:	FFFF	???	Data or unknown opcode
+00000755:	FFFF	???	Data or unknown opcode
+00000756:	FFFF	???	Data or unknown opcode
+00000757:	FFFF	???	Data or unknown opcode
+00000758:	FFFF	???	Data or unknown opcode
+00000759:	FFFF	???	Data or unknown opcode
+0000075A:	FFFF	???	Data or unknown opcode

+0000075B:	FFFF	???	Data or unknown opcode
+0000075C:	FFFF	???	Data or unknown opcode
+0000075D:	FFFF	???	Data or unknown opcode
+0000075E:	FFFF	???	Data or unknown opcode
+0000075F:	FFFF	???	Data or unknown opcode
+00000760:	FFFF	???	Data or unknown opcode
+00000761:	FFFF	???	Data or unknown opcode
+00000762:	FFFF	???	Data or unknown opcode
+00000763:	FFFF	???	Data or unknown opcode
+00000764:	FFFF	???	Data or unknown opcode
+00000765:	FFFF	???	Data or unknown opcode
+00000766:	FFFF	???	Data or unknown opcode
+00000767:	FFFF	???	Data or unknown opcode
+00000768:	FFFF	???	Data or unknown opcode
+00000769:	FFFF	???	Data or unknown opcode
+0000076A:	FFFF	???	Data or unknown opcode
+0000076B:	FFFF	???	Data or unknown opcode
+0000076C:	FFFF	???	Data or unknown opcode
+0000076D:	FFFF	???	Data or unknown opcode
+0000076E:	FFFF	???	Data or unknown opcode
+0000076F:	FFFF	???	Data or unknown opcode
+00000770:	FFFF	???	Data or unknown opcode
+00000771:	FFFF	???	Data or unknown opcode
+00000772:	FFFF	???	Data or unknown opcode
+00000773:	FFFF	???	Data or unknown opcode
+00000774:	FFFF	???	Data or unknown opcode
+00000775:	FFFF	???	Data or unknown opcode
+00000776:	FFFF	???	Data or unknown opcode
+00000777:	FFFF	???	Data or unknown opcode
+00000778:	FFFF	???	Data or unknown opcode
+00000779:	FFFF	???	Data or unknown opcode
+0000077A:	FFFF	???	Data or unknown opcode
+0000077B:	FFFF	???	Data or unknown opcode
+0000077C:	FFFF	???	Data or unknown opcode

+0000077D:	FFFF	???	Data or unknown opcode
+0000077E:	FFFF	???	Data or unknown opcode
+0000077F:	FFFF	???	Data or unknown opcode
+00000780:	FFFF	???	Data or unknown opcode
+00000781:	FFFF	???	Data or unknown opcode
+00000782:	FFFF	???	Data or unknown opcode
+00000783:	FFFF	???	Data or unknown opcode
+00000784:	FFFF	???	Data or unknown opcode
+00000785:	FFFF	???	Data or unknown opcode
+00000786:	FFFF	???	Data or unknown opcode
+00000787:	FFFF	???	Data or unknown opcode
+00000788:	FFFF	???	Data or unknown opcode
+00000789:	FFFF	???	Data or unknown opcode
+0000078A:	FFFF	???	Data or unknown opcode
+0000078B:	FFFF	???	Data or unknown opcode
+0000078C:	FFFF	???	Data or unknown opcode
+0000078D:	FFFF	???	Data or unknown opcode
+0000078E:	FFFF	???	Data or unknown opcode
+0000078F:	FFFF	???	Data or unknown opcode
+00000790:	FFFF	???	Data or unknown opcode
+00000791:	FFFF	???	Data or unknown opcode
+00000792:	FFFF	???	Data or unknown opcode
+00000793:	FFFF	???	Data or unknown opcode
+00000794:	FFFF	???	Data or unknown opcode
+00000795:	FFFF	???	Data or unknown opcode
+00000796:	FFFF	???	Data or unknown opcode
+00000797:	FFFF	???	Data or unknown opcode
+00000798:	FFFF	???	Data or unknown opcode
+00000799:	FFFF	???	Data or unknown opcode
+0000079A:	FFFF	???	Data or unknown opcode
+0000079B:	FFFF	???	Data or unknown opcode
+0000079C:	FFFF	???	Data or unknown opcode
+0000079D:	FFFF	???	Data or unknown opcode
+0000079E:	FFFF	???	Data or unknown opcode

+0000079F:	FFFF	???		Data or unknown opcode
+000007A0:	5654	SUBI	R21,0x64	Subtract immediate
+000007A1:	5420	SUBI	R18,0x40	Subtract immediate
+000007A2:	7265	ANDI	R22,0x25	Logical AND with immediate
+000007A3:	696D	ORI	R22,0x9D	Logical OR with immediate
+000007A4:	616E	ORI	R22,0x1E	Logical OR with immediate
+000007A5:	096C	SBC	R22,R12	Subtract with carry
+000007A6:	2809	OR	R0,R9	Logical OR
+000007A7:	2963	OR	R22,R3	Logical OR
+000007A8:	5320	SUBI	R18,0x30	Subtract immediate
+000007A9:	2050	AND	R5,R0	Logical AND
+000007AA:	3032	CPI	R19,0x02	Compare with immediate
+000007AB:	3730	CPI	R19,0x70	Compare with immediate
+000007AC:	5620	SUBI	R18,0x60	Subtract immediate
+000007AD:	2E31	MOV	R3,R17	Copy register
+000007AE:	0D30	ADD	R19,R0	Add without carry
+000007AF:	5352	SUBI	R21,0x32	Subtract immediate
+000007B0:	3332	CPI	R19,0x32	Compare with immediate
+000007B1:	2032	AND	R3,R2	Logical AND
+000007B2:	2C38	MOV	R3,R8	Copy register
+000007B3:	2C4E	MOV	R4,R14	Copy register
+000007B4:	2031	AND	R3,R1	Logical AND
+000007B5:	0000	NOP		No operation
+000007B6:	FFFF	???		Data or unknown opcode
+000007B7:	FFFF	???		Data or unknown opcode
+000007B8:	FFFF	???		Data or unknown opcode
+000007B9:	FFFF	???		Data or unknown opcode
+000007BA:	FFFF	???		Data or unknown opcode
+000007BB:	FFFF	???		Data or unknown opcode
+000007BC:	FFFF	???		Data or unknown opcode
+000007BD:	FFFF	???		Data or unknown opcode
+000007BE:	FFFF	???		Data or unknown opcode
+000007BF:	FFFF	???		Data or unknown opcode
+000007C0:	FFFF	???		Data or unknown opcode

+000007C1:	FFFF	???	Data or unknown opcode
+000007C2:	FFFF	???	Data or unknown opcode
+000007C3:	FFFF	???	Data or unknown opcode
+000007C4:	FFFF	???	Data or unknown opcode
+000007C5:	FFFF	???	Data or unknown opcode
+000007C6:	FFFF	???	Data or unknown opcode
+000007C7:	FFFF	???	Data or unknown opcode
+000007C8:	FFFF	???	Data or unknown opcode
+000007C9:	FFFF	???	Data or unknown opcode
+000007CA:	FFFF	???	Data or unknown opcode
+000007CB:	FFFF	???	Data or unknown opcode
+000007CC:	FFFF	???	Data or unknown opcode
+000007CD:	FFFF	???	Data or unknown opcode
+000007CE:	FFFF	???	Data or unknown opcode
+000007CF:	FFFF	???	Data or unknown opcode
+000007D0:	FFFF	???	Data or unknown opcode
+000007D1:	FFFF	???	Data or unknown opcode
+000007D2:	FFFF	???	Data or unknown opcode
+000007D3:	FFFF	???	Data or unknown opcode
+000007D4:	FFFF	???	Data or unknown opcode
+000007D5:	FFFF	???	Data or unknown opcode
+000007D6:	FFFF	???	Data or unknown opcode
+000007D7:	FFFF	???	Data or unknown opcode
+000007D8:	FFFF	???	Data or unknown opcode
+000007D9:	FFFF	???	Data or unknown opcode
+000007DA:	FFFF	???	Data or unknown opcode
+000007DB:	FFFF	???	Data or unknown opcode
+000007DC:	FFFF	???	Data or unknown opcode
+000007DD:	FFFF	???	Data or unknown opcode
+000007DE:	FFFF	???	Data or unknown opcode
+000007DF:	FFFF	???	Data or unknown opcode
+000007E0:	FFFF	???	Data or unknown opcode
+000007E1:	FFFF	???	Data or unknown opcode
+000007E2:	FFFF	???	Data or unknown opcode

+000007E3:	FFFF	???		Data or unknown opcode
+000007E4:	FFFF	???		Data or unknown opcode
+000007E5:	FFFF	???		Data or unknown opcode
+000007E6:	FFFF	???		Data or unknown opcode
+000007E7:	FFFF	???		Data or unknown opcode
+000007E8:	FFFF	???		Data or unknown opcode
+000007E9:	FFFF	???		Data or unknown opcode
+000007EA:	FFFF	???		Data or unknown opcode
+000007EB:	FFFF	???		Data or unknown opcode
+000007EC:	FFFF	???		Data or unknown opcode
+000007ED:	FFFF	???		Data or unknown opcode
+000007EE:	FFFF	???		Data or unknown opcode
+000007EF:	FFFF	???		Data or unknown opcode
+000007F0:	FFFF	???		Data or unknown opcode
+000007F1:	FFFF	???		Data or unknown opcode
+000007F2:	FFFF	???		Data or unknown opcode
+000007F3:	FFFF	???		Data or unknown opcode
+000007F4:	FFFF	???		Data or unknown opcode
+000007F5:	FFFF	???		Data or unknown opcode
+000007F6:	FFFF	???		Data or unknown opcode
+000007F7:	FFFF	???		Data or unknown opcode
+000007F8:	FFFF	???		Data or unknown opcode
+000007F9:	FFFF	???		Data or unknown opcode
+000007FA:	FFFF	???		Data or unknown opcode
+000007FB:	FFFF	???		Data or unknown opcode
+000007FC:	FFFF	???		Data or unknown opcode
+000007FD:	FFFF	???		Data or unknown opcode
+000007FE:	FFFF	???		Data or unknown opcode
+000007FF:	FFFF	???		Data or unknown opcode
+00000800:	3F3F	CPI	R19,0xFF	Compare with immediate
+00000801:	3F3F	CPI	R19,0xFF	Compare with immediate
+00000802:	3F3F	CPI	R19,0xFF	Compare with immediate
+00000803:	003F	???		Data or unknown opcode
+00000804:	3F3F	CPI	R19,0xFF	Compare with immediate

+00000805:	3F3F	CPI	R19,0xFF	Compare with immediate
+00000806:	3F3F	CPI	R19,0xFF	Compare with immediate
+00000807:	003F	???		Data or unknown opcode
+00000808:	3F3F	CPI	R19,0xFF	Compare with immediate
+00000809:	3F3F	CPI	R19,0xFF	Compare with immediate
+0000080A:	3F3F	CPI	R19,0xFF	Compare with immediate
+0000080B:	003F	???		Data or unknown opcode
+0000080C:	3F3F	CPI	R19,0xFF	Compare with immediate
+0000080D:	3F3F	CPI	R19,0xFF	Compare with immediate
+0000080E:	3F3F	CPI	R19,0xFF	Compare with immediate
+0000080F:	003F	???		Data or unknown opcode
+00000810:	3F3F	CPI	R19,0xFF	Compare with immediate
+00000811:	3F3F	CPI	R19,0xFF	Compare with immediate
+00000812:	3F3F	CPI	R19,0xFF	Compare with immediate
+00000813:	003F	???		Data or unknown opcode
+00000814:	3F3F	CPI	R19,0xFF	Compare with immediate
+00000815:	3F3F	CPI	R19,0xFF	Compare with immediate
+00000816:	3F3F	CPI	R19,0xFF	Compare with immediate
+00000817:	003F	???		Data or unknown opcode
+00000818:	3F3F	CPI	R19,0xFF	Compare with immediate
+00000819:	3F3F	CPI	R19,0xFF	Compare with immediate
+0000081A:	3F3F	CPI	R19,0xFF	Compare with immediate
+0000081B:	003F	???		Data or unknown opcode
+0000081C:	3F3F	CPI	R19,0xFF	Compare with immediate
+0000081D:	3F3F	CPI	R19,0xFF	Compare with immediate
+0000081E:	3F3F	CPI	R19,0xFF	Compare with immediate
+0000081F:	003F	???		Data or unknown opcode
+00000820:	0000	NOP		No operation
+00000821:	0000	NOP		No operation
+00000822:	0000	NOP		No operation
+00000823:	0000	NOP		No operation
+00000824:	3F3F	CPI	R19,0xFF	Compare with immediate
+00000825:	3F3F	CPI	R19,0xFF	Compare with immediate
+00000826:	3F3F	CPI	R19,0xFF	Compare with immediate

+00000827:	003F	???		Data or unknown opcode
+00000828:	3F3F	CPI	R19,0xFF	Compare with immediate
+00000829:	3F3F	CPI	R19,0xFF	Compare with immediate
+0000082A:	3F3F	CPI	R19,0xFF	Compare with immediate
+0000082B:	003F	???		Data or unknown opcode
+0000082C:	3F3F	CPI	R19,0xFF	Compare with immediate
+0000082D:	3F3F	CPI	R19,0xFF	Compare with immediate
+0000082E:	3F3F	CPI	R19,0xFF	Compare with immediate
+0000082F:	003F	???		Data or unknown opcode
+00000830:	3F3F	CPI	R19,0xFF	Compare with immediate
+00000831:	3F3F	CPI	R19,0xFF	Compare with immediate
+00000832:	3F3F	CPI	R19,0xFF	Compare with immediate
+00000833:	003F	???		Data or unknown opcode
+00000834:	3F3F	CPI	R19,0xFF	Compare with immediate
+00000835:	3F3F	CPI	R19,0xFF	Compare with immediate
+00000836:	3F3F	CPI	R19,0xFF	Compare with immediate
+00000837:	003F	???		Data or unknown opcode
+00000838:	3F3F	CPI	R19,0xFF	Compare with immediate
+00000839:	3F3F	CPI	R19,0xFF	Compare with immediate
+0000083A:	3F3F	CPI	R19,0xFF	Compare with immediate
+0000083B:	003F	???		Data or unknown opcode
+0000083C:	3F3F	CPI	R19,0xFF	Compare with immediate
+0000083D:	3F3F	CPI	R19,0xFF	Compare with immediate
+0000083E:	3F3F	CPI	R19,0xFF	Compare with immediate
+0000083F:	003F	???		Data or unknown opcode
+00000840:	3F3F	CPI	R19,0xFF	Compare with immediate
+00000841:	3F3F	CPI	R19,0xFF	Compare with immediate
+00000842:	3F3F	CPI	R19,0xFF	Compare with immediate
+00000843:	003F	???		Data or unknown opcode
+00000844:	3F3F	CPI	R19,0xFF	Compare with immediate
+00000845:	3F3F	CPI	R19,0xFF	Compare with immediate
+00000846:	3F3F	CPI	R19,0xFF	Compare with immediate
+00000847:	003F	???		Data or unknown opcode
+00000848:	3F3F	CPI	R19,0xFF	Compare with immediate

+00000849:	3F3F	CPI	R19,0xFF	Compare with immediate
+0000084A:	3F3F	CPI	R19,0xFF	Compare with immediate
+0000084B:	003F	???		Data or unknown opcode
+0000084C:	3F3F	CPI	R19,0xFF	Compare with immediate
+0000084D:	3F3F	CPI	R19,0xFF	Compare with immediate
+0000084E:	3F3F	CPI	R19,0xFF	Compare with immediate
+0000084F:	003F	???		Data or unknown opcode
+00000850:	3F3F	CPI	R19,0xFF	Compare with immediate
+00000851:	3F3F	CPI	R19,0xFF	Compare with immediate
+00000852:	3F3F	CPI	R19,0xFF	Compare with immediate
+00000853:	003F	???		Data or unknown opcode
+00000854:	3F3F	CPI	R19,0xFF	Compare with immediate
+00000855:	3F3F	CPI	R19,0xFF	Compare with immediate
+00000856:	3F3F	CPI	R19,0xFF	Compare with immediate
+00000857:	003F	???		Data or unknown opcode
+00000858:	3F3F	CPI	R19,0xFF	Compare with immediate
+00000859:	3F3F	CPI	R19,0xFF	Compare with immediate
+0000085A:	3F3F	CPI	R19,0xFF	Compare with immediate
+0000085B:	003F	???		Data or unknown opcode
+0000085C:	3F3F	CPI	R19,0xFF	Compare with immediate
+0000085D:	3F3F	CPI	R19,0xFF	Compare with immediate
+0000085E:	3F3F	CPI	R19,0xFF	Compare with immediate
+0000085F:	003F	???		Data or unknown opcode
+00000860:	3F3F	CPI	R19,0xFF	Compare with immediate
+00000861:	3F3F	CPI	R19,0xFF	Compare with immediate
+00000862:	3F3F	CPI	R19,0xFF	Compare with immediate
+00000863:	003F	???		Data or unknown opcode
+00000864:	3F3F	CPI	R19,0xFF	Compare with immediate
+00000865:	3F3F	CPI	R19,0xFF	Compare with immediate
+00000866:	3F3F	CPI	R19,0xFF	Compare with immediate
+00000867:	003F	???		Data or unknown opcode
+00000868:	3F3F	CPI	R19,0xFF	Compare with immediate
+00000869:	3F3F	CPI	R19,0xFF	Compare with immediate
+0000086A:	3F3F	CPI	R19,0xFF	Compare with immediate

+0000086B:	003F	???		Data or unknown opcode
+0000086C:	3F3F	CPI	R19,0xFF	Compare with immediate
+0000086D:	3F3F	CPI	R19,0xFF	Compare with immediate
+0000086E:	3F3F	CPI	R19,0xFF	Compare with immediate
+0000086F:	003F	???		Data or unknown opcode
+00000870:	3F3F	CPI	R19,0xFF	Compare with immediate
+00000871:	3F3F	CPI	R19,0xFF	Compare with immediate
+00000872:	3F3F	CPI	R19,0xFF	Compare with immediate
+00000873:	003F	???		Data or unknown opcode
+00000874:	3F3F	CPI	R19,0xFF	Compare with immediate
+00000875:	3F3F	CPI	R19,0xFF	Compare with immediate
+00000876:	3F3F	CPI	R19,0xFF	Compare with immediate
+00000877:	003F	???		Data or unknown opcode
+00000878:	3F3F	CPI	R19,0xFF	Compare with immediate
+00000879:	3F3F	CPI	R19,0xFF	Compare with immediate
+0000087A:	3F3F	CPI	R19,0xFF	Compare with immediate
+0000087B:	003F	???		Data or unknown opcode
+0000087C:	3F3F	CPI	R19,0xFF	Compare with immediate
+0000087D:	3F3F	CPI	R19,0xFF	Compare with immediate
+0000087E:	3F3F	CPI	R19,0xFF	Compare with immediate
+0000087F:	003F	???		Data or unknown opcode
+00000880:	0000	NOP		No operation
+00000881:	0000	NOP		No operation
+00000882:	0000	NOP		No operation
+00000883:	0000	NOP		No operation
+00000884:	0808	SBC	R0,R8	Subtract with carry
+00000885:	0808	SBC	R0,R8	Subtract with carry
+00000886:	0008	???		Data or unknown opcode
+00000887:	0008	???		Data or unknown opcode
+00000888:	1414	CP	R1,R4	Compare
+00000889:	0014	???		Data or unknown opcode
+0000088A:	0000	NOP		No operation
+0000088B:	0000	NOP		No operation
+0000088C:	1414	CP	R1,R4	Compare

+0000088D:	143E	CP	R3,R14	Compare
+0000088E:	143E	CP	R3,R14	Compare
+0000088F:	0014	???		Data or unknown opcode
+00000890:	1E14	ADC	R1,R20	Add with carry
+00000891:	1C20	ADC	R2,R0	Add with carry
+00000892:	3C02	CPI	R16,0xC2	Compare with immediate
+00000893:	0014	???		Data or unknown opcode
+00000894:	3230	CPI	R19,0x20	Compare with immediate
+00000895:	0804	SBC	R0,R4	Subtract with carry
+00000896:	2610	EOR	R1,R16	Exclusive OR
+00000897:	0006	???		Data or unknown opcode
+00000898:	1408	CP	R0,R8	Compare
+00000899:	1814	SUB	R1,R4	Subtract without carry
+0000089A:	242A	EOR	R2,R10	Exclusive OR
+0000089B:	001A	???		Data or unknown opcode
+0000089C:	0404	CPC	R0,R4	Compare with carry
+0000089D:	0008	???		Data or unknown opcode
+0000089E:	0000	NOP		No operation
+0000089F:	0000	NOP		No operation
+000008A0:	0804	SBC	R0,R4	Subtract with carry
+000008A1:	1010	CPSE	R1,R0	Compare, skip if equal
+000008A2:	0810	SBC	R1,R0	Subtract with carry
+000008A3:	0004	???		Data or unknown opcode
+000008A4:	0810	SBC	R1,R0	Subtract with carry
+000008A5:	0404	CPC	R0,R4	Compare with carry
+000008A6:	0804	SBC	R0,R4	Subtract with carry
+000008A7:	0010	???		Data or unknown opcode
+000008A8:	0800	SBC	R0,R0	Subtract with carry
+000008A9:	1C2A	ADC	R2,R10	Add with carry
+000008AA:	082A	SBC	R2,R10	Subtract with carry
+000008AB:	0000	NOP		No operation
+000008AC:	0800	SBC	R0,R0	Subtract with carry
+000008AD:	3E08	CPI	R16,0xE8	Compare with immediate
+000008AE:	0808	SBC	R0,R8	Subtract with carry

+000008AF: 0000	NOP		No operation
+000008B0: 0000	NOP		No operation
+000008B1: 0000	NOP		No operation
+000008B2: 1010	CPSE	R1,R0	Compare, skip if equal
+000008B3: 0020	???		Data or unknown opcode
+000008B4: 0000	NOP		No operation
+000008B5: 3E00	CPI	R16,0xE0	Compare with immediate
+000008B6: 0000	NOP		No operation
+000008B7: 0000	NOP		No operation
+000008B8: 0000	NOP		No operation
+000008B9: 0000	NOP		No operation
+000008BA: 0000	NOP		No operation
+000008BB: 0010	???		Data or unknown opcode
+000008BC: 0200	MULS	R16,R16	Multiply signed
+000008BD: 0804	SBC	R0,R4	Subtract with carry
+000008BE: 2010	AND	R1,R0	Logical AND
+000008BF: 0000	NOP		No operation
+000008C0: 221C	AND	R1,R28	Logical AND
+000008C1: 2A26	OR	R2,R22	Logical OR
+000008C2: 2232	AND	R3,R18	Logical AND
+000008C3: 001C	???		Data or unknown opcode
+000008C4: 1808	SUB	R0,R8	Subtract without carry
+000008C5: 0808	SBC	R0,R8	Subtract with carry
+000008C6: 0808	SBC	R0,R8	Subtract with carry
+000008C7: 001C	???		Data or unknown opcode
+000008C8: 221C	AND	R1,R28	Logical AND
+000008C9: 0C02	ADD	R0,R2	Add without carry
+000008CA: 2010	AND	R1,R0	Logical AND
+000008CB: 003E	???		Data or unknown opcode
+000008CC: 023E	MULS	R19,R30	Multiply signed
+000008CD: 0C04	ADD	R0,R4	Add without carry
+000008CE: 2202	AND	R0,R18	Logical AND
+000008CF: 001C	???		Data or unknown opcode
+000008D0: 0C04	ADD	R0,R4	Add without carry

+000008D1:	2414	EOR	R1,R4	Exclusive OR
+000008D2:	043E	CPC	R3,R14	Compare with carry
+000008D3:	0004	???		Data or unknown opcode
+000008D4:	203E	AND	R3,R14	Logical AND
+000008D5:	023C	MULS	R19,R28	Multiply signed
+000008D6:	2202	AND	R0,R18	Logical AND
+000008D7:	001C	???		Data or unknown opcode
+000008D8:	100E	CPSE	R0,R14	Compare, skip if equal
+000008D9:	3C20	CPI	R18,0xC0	Compare with immediate
+000008DA:	2222	AND	R2,R18	Logical AND
+000008DB:	001C	???		Data or unknown opcode
+000008DC:	023E	MULS	R19,R30	Multiply signed
+000008DD:	0804	SBC	R0,R4	Subtract with carry
+000008DE:	1010	CPSE	R1,R0	Compare, skip if equal
+000008DF:	0010	???		Data or unknown opcode
+000008E0:	221C	AND	R1,R28	Logical AND
+000008E1:	1C22	ROL	R2	Rotate Left Through Carry
+000008E2:	2222	AND	R2,R18	Logical AND
+000008E3:	001C	???		Data or unknown opcode
+000008E4:	221C	AND	R1,R28	Logical AND
+000008E5:	1E22	ADC	R2,R18	Add with carry
+000008E6:	0402	CPC	R0,R2	Compare with carry
+000008E7:	0038	???		Data or unknown opcode
+000008E8:	0000	NOP		No operation
+000008E9:	0000	NOP		No operation
+000008EA:	0010	???		Data or unknown opcode
+000008EB:	0010	???		Data or unknown opcode
+000008EC:	0000	NOP		No operation
+000008ED:	0010	???		Data or unknown opcode
+000008EE:	1010	CPSE	R1,R0	Compare, skip if equal
+000008EF:	0020	???		Data or unknown opcode
+000008F0:	0804	SBC	R0,R4	Subtract with carry
+000008F1:	2010	AND	R1,R0	Logical AND
+000008F2:	0810	SBC	R1,R0	Subtract with carry

+000008F3:	0004	???		Data or unknown opcode
+000008F4:	0000	NOP		No operation
+000008F5:	003E	???		Data or unknown opcode
+000008F6:	003E	???		Data or unknown opcode
+000008F7:	0000	NOP		No operation
+000008F8:	0810	SBC	R1,R0	Subtract with carry
+000008F9:	0204	MULS	R16,R20	Multiply signed
+000008FA:	0804	SBC	R0,R4	Subtract with carry
+000008FB:	0010	???		Data or unknown opcode
+000008FC:	221C	AND	R1,R28	Logical AND
+000008FD:	0402	CPC	R0,R2	Compare with carry
+000008FE:	0008	???		Data or unknown opcode
+000008FF:	0008	???		Data or unknown opcode
+00000900:	221C	AND	R1,R28	Logical AND
+00000901:	1A02	SUB	R0,R18	Subtract without carry
+00000902:	2A2A	OR	R2,R26	Logical OR
+00000903:	001C	???		Data or unknown opcode
+00000904:	1408	CP	R0,R8	Compare
+00000905:	2222	AND	R2,R18	Logical AND
+00000906:	223E	AND	R3,R30	Logical AND
+00000907:	0022	???		Data or unknown opcode
+00000908:	223C	AND	R3,R28	Logical AND
+00000909:	3C22	CPI	R18,0xC2	Compare with immediate
+0000090A:	2222	AND	R2,R18	Logical AND
+0000090B:	003C	???		Data or unknown opcode
+0000090C:	221C	AND	R1,R28	Logical AND
+0000090D:	2020	AND	R2,R0	Logical AND
+0000090E:	2220	AND	R2,R16	Logical AND
+0000090F:	001C	???		Data or unknown opcode
+00000910:	123C	CPSE	R3,R28	Compare, skip if equal
+00000911:	1212	CPSE	R1,R18	Compare, skip if equal
+00000912:	1212	CPSE	R1,R18	Compare, skip if equal
+00000913:	003C	???		Data or unknown opcode
+00000914:	203E	AND	R3,R14	Logical AND

+00000915:	3C20	CPI	R18,0xC0	Compare with immediate
+00000916:	2020	AND	R2,R0	Logical AND
+00000917:	003E	???		Data or unknown opcode
+00000918:	203E	AND	R3,R14	Logical AND
+00000919:	3C20	CPI	R18,0xC0	Compare with immediate
+0000091A:	2020	AND	R2,R0	Logical AND
+0000091B:	0020	???		Data or unknown opcode
+0000091C:	201C	AND	R1,R12	Logical AND
+0000091D:	2020	AND	R2,R0	Logical AND
+0000091E:	2226	AND	R2,R22	Logical AND
+0000091F:	001E	???		Data or unknown opcode
+00000920:	2222	AND	R2,R18	Logical AND
+00000921:	3E22	CPI	R18,0xE2	Compare with immediate
+00000922:	2222	AND	R2,R18	Logical AND
+00000923:	0022	???		Data or unknown opcode
+00000924:	081C	SBC	R1,R12	Subtract with carry
+00000925:	0808	SBC	R0,R8	Subtract with carry
+00000926:	0808	SBC	R0,R8	Subtract with carry
+00000927:	001C	???		Data or unknown opcode
+00000928:	0202	MULS	R16,R18	Multiply signed
+00000929:	0202	MULS	R16,R18	Multiply signed
+0000092A:	2222	AND	R2,R18	Logical AND
+0000092B:	001C	???		Data or unknown opcode
+0000092C:	2422	CLR	R2	Clear Register
+0000092D:	3028	CPI	R18,0x08	Compare with immediate
+0000092E:	2428	EOR	R2,R8	Exclusive OR
+0000092F:	0022	???		Data or unknown opcode
+00000930:	2020	AND	R2,R0	Logical AND
+00000931:	2020	AND	R2,R0	Logical AND
+00000932:	2020	AND	R2,R0	Logical AND
+00000933:	003E	???		Data or unknown opcode
+00000934:	3622	CPI	R18,0x62	Compare with immediate
+00000935:	2A2A	OR	R2,R26	Logical OR
+00000936:	2222	AND	R2,R18	Logical AND

+00000937:	0022	???		Data or unknown opcode
+00000938:	2222	AND	R2,R18	Logical AND
+00000939:	2E32	MOV	R3,R18	Copy register
+0000093A:	2226	AND	R2,R22	Logical AND
+0000093B:	0022	???		Data or unknown opcode
+0000093C:	221C	AND	R1,R28	Logical AND
+0000093D:	2222	AND	R2,R18	Logical AND
+0000093E:	2222	AND	R2,R18	Logical AND
+0000093F:	001C	???		Data or unknown opcode
+00000940:	223C	AND	R3,R28	Logical AND
+00000941:	3C22	CPI	R18,0xC2	Compare with immediate
+00000942:	2020	AND	R2,R0	Logical AND
+00000943:	0020	???		Data or unknown opcode
+00000944:	221C	AND	R1,R28	Logical AND
+00000945:	2222	AND	R2,R18	Logical AND
+00000946:	242A	EOR	R2,R10	Exclusive OR
+00000947:	001A	???		Data or unknown opcode
+00000948:	223C	AND	R3,R28	Logical AND
+00000949:	3C22	CPI	R18,0xC2	Compare with immediate
+0000094A:	2428	EOR	R2,R8	Exclusive OR
+0000094B:	0022	???		Data or unknown opcode
+0000094C:	221C	AND	R1,R28	Logical AND
+0000094D:	1C20	ADC	R2,R0	Add with carry
+0000094E:	2202	AND	R0,R18	Logical AND
+0000094F:	001C	???		Data or unknown opcode
+00000950:	083E	SBC	R3,R14	Subtract with carry
+00000951:	0808	SBC	R0,R8	Subtract with carry
+00000952:	0808	SBC	R0,R8	Subtract with carry
+00000953:	0008	???		Data or unknown opcode
+00000954:	2222	AND	R2,R18	Logical AND
+00000955:	2222	AND	R2,R18	Logical AND
+00000956:	2222	AND	R2,R18	Logical AND
+00000957:	001C	???		Data or unknown opcode
+00000958:	2222	AND	R2,R18	Logical AND

+00000959:	1422	CP	R2,R2	Compare
+0000095A:	0814	SBC	R1,R4	Subtract with carry
+0000095B:	0008	???		Data or unknown opcode
+0000095C:	2222	AND	R2,R18	Logical AND
+0000095D:	2A22	OR	R2,R18	Logical OR
+0000095E:	2A2A	OR	R2,R26	Logical OR
+0000095F:	0014	???		Data or unknown opcode
+00000960:	2222	AND	R2,R18	Logical AND
+00000961:	0814	SBC	R1,R4	Subtract with carry
+00000962:	2214	AND	R1,R20	Logical AND
+00000963:	0022	???		Data or unknown opcode
+00000964:	2222	AND	R2,R18	Logical AND
+00000965:	0814	SBC	R1,R4	Subtract with carry
+00000966:	0808	SBC	R0,R8	Subtract with carry
+00000967:	0008	???		Data or unknown opcode
+00000968:	023E	MULS	R19,R30	Multiply signed
+00000969:	0804	SBC	R0,R4	Subtract with carry
+0000096A:	2010	AND	R1,R0	Logical AND
+0000096B:	003E	???		Data or unknown opcode
+0000096C:	2038	AND	R3,R8	Logical AND
+0000096D:	2020	AND	R2,R0	Logical AND
+0000096E:	2020	AND	R2,R0	Logical AND
+0000096F:	0038	???		Data or unknown opcode
+00000970:	2000	TST	R0	Test for Zero or Minus
+00000971:	0810	SBC	R1,R0	Subtract with carry
+00000972:	0204	MULS	R16,R20	Multiply signed
+00000973:	0000	NOP		No operation
+00000974:	020E	MULS	R16,R30	Multiply signed
+00000975:	0202	MULS	R16,R18	Multiply signed
+00000976:	0202	MULS	R16,R18	Multiply signed
+00000977:	000E	???		Data or unknown opcode
+00000978:	221C	AND	R1,R28	Logical AND
+00000979:	0000	NOP		No operation
+0000097A:	0000	NOP		No operation

+0000097B:	0000	NOP		No operation
+0000097C:	0000	NOP		No operation
+0000097D:	0000	NOP		No operation
+0000097E:	0000	NOP		No operation
+0000097F:	003E	???		Data or unknown opcode
+00000980:	0808	SBC	R0,R8	Subtract with carry
+00000981:	0008	???		Data or unknown opcode
+00000982:	0000	NOP		No operation
+00000983:	0000	NOP		No operation
+00000984:	0000	NOP		No operation
+00000985:	021C	MULS	R17,R28	Multiply signed
+00000986:	221E	AND	R1,R30	Logical AND
+00000987:	001E	???		Data or unknown opcode
+00000988:	2020	AND	R2,R0	Logical AND
+00000989:	322C	CPI	R18,0x2C	Compare with immediate
+0000098A:	2222	AND	R2,R18	Logical AND
+0000098B:	003C	???		Data or unknown opcode
+0000098C:	0000	NOP		No operation
+0000098D:	201C	AND	R1,R12	Logical AND
+0000098E:	2220	AND	R2,R16	Logical AND
+0000098F:	001C	???		Data or unknown opcode
+00000990:	0202	MULS	R16,R18	Multiply signed
+00000991:	261A	EOR	R1,R26	Exclusive OR
+00000992:	2222	AND	R2,R18	Logical AND
+00000993:	001E	???		Data or unknown opcode
+00000994:	0000	NOP		No operation
+00000995:	221C	AND	R1,R28	Logical AND
+00000996:	203E	AND	R3,R14	Logical AND
+00000997:	001C	???		Data or unknown opcode
+00000998:	120C	CPSE	R0,R28	Compare, skip if equal
+00000999:	3810	CPI	R17,0x80	Compare with immediate
+0000099A:	1010	CPSE	R1,R0	Compare, skip if equal
+0000099B:	0010	???		Data or unknown opcode
+0000099C:	1E00	ADC	R0,R16	Add with carry

+0000099D:	2222	AND	R2,R18	Logical AND
+0000099E:	021E	MULS	R17,R30	Multiply signed
+0000099F:	001C	???		Data or unknown opcode
+000009A0:	2020	AND	R2,R0	Logical AND
+000009A1:	322C	CPI	R18,0x2C	Compare with immediate
+000009A2:	2222	AND	R2,R18	Logical AND
+000009A3:	0022	???		Data or unknown opcode
+000009A4:	0008	???		Data or unknown opcode
+000009A5:	0818	SBC	R1,R8	Subtract with carry
+000009A6:	0808	SBC	R0,R8	Subtract with carry
+000009A7:	001C	???		Data or unknown opcode
+000009A8:	0004	???		Data or unknown opcode
+000009A9:	040C	CPC	R0,R12	Compare with carry
+000009AA:	2404	EOR	R0,R4	Exclusive OR
+000009AB:	0018	???		Data or unknown opcode
+000009AC:	2020	AND	R2,R0	Logical AND
+000009AD:	2824	OR	R2,R4	Logical OR
+000009AE:	2830	OR	R3,R0	Logical OR
+000009AF:	0024	???		Data or unknown opcode
+000009B0:	0818	SBC	R1,R8	Subtract with carry
+000009B1:	0808	SBC	R0,R8	Subtract with carry
+000009B2:	0808	SBC	R0,R8	Subtract with carry
+000009B3:	001C	???		Data or unknown opcode
+000009B4:	0000	NOP		No operation
+000009B5:	2A34	OR	R3,R20	Logical OR
+000009B6:	222A	AND	R2,R26	Logical AND
+000009B7:	0022	???		Data or unknown opcode
+000009B8:	0000	NOP		No operation
+000009B9:	322C	CPI	R18,0x2C	Compare with immediate
+000009BA:	2222	AND	R2,R18	Logical AND
+000009BB:	0022	???		Data or unknown opcode
+000009BC:	0000	NOP		No operation
+000009BD:	221C	AND	R1,R28	Logical AND
+000009BE:	2222	AND	R2,R18	Logical AND

+000009BF:	001C	???		Data or unknown opcode
+000009C0:	0000	NOP		No operation
+000009C1:	223C	AND	R3,R28	Logical AND
+000009C2:	203C	AND	R3,R12	Logical AND
+000009C3:	0020	???		Data or unknown opcode
+000009C4:	0000	NOP		No operation
+000009C5:	261A	EOR	R1,R26	Exclusive OR
+000009C6:	021E	MULS	R17,R30	Multiply signed
+000009C7:	0002	???		Data or unknown opcode
+000009C8:	0000	NOP		No operation
+000009C9:	322C	CPI	R18,0x2C	Compare with immediate
+000009CA:	2020	AND	R2,R0	Logical AND
+000009CB:	0020	???		Data or unknown opcode
+000009CC:	0000	NOP		No operation
+000009CD:	201C	AND	R1,R12	Logical AND
+000009CE:	021C	MULS	R17,R28	Multiply signed
+000009CF:	003C	???		Data or unknown opcode
+000009D0:	1010	CPSE	R1,R0	Compare, skip if equal
+000009D1:	1038	CPSE	R3,R8	Compare, skip if equal
+000009D2:	1210	CPSE	R1,R16	Compare, skip if equal
+000009D3:	000C	???		Data or unknown opcode
+000009D4:	0000	NOP		No operation
+000009D5:	2222	AND	R2,R18	Logical AND
+000009D6:	2622	EOR	R2,R18	Exclusive OR
+000009D7:	001A	???		Data or unknown opcode
+000009D8:	0000	NOP		No operation
+000009D9:	2222	AND	R2,R18	Logical AND
+000009DA:	1422	CP	R2,R2	Compare
+000009DB:	0008	???		Data or unknown opcode
+000009DC:	0000	NOP		No operation
+000009DD:	2222	AND	R2,R18	Logical AND
+000009DE:	2A2A	OR	R2,R26	Logical OR
+000009DF:	0014	???		Data or unknown opcode
+000009E0:	0000	NOP		No operation

+000009E1:	1422	CP	R2,R2	Compare
+000009E2:	1408	CP	R0,R8	Compare
+000009E3:	0022	???		Data or unknown opcode
+000009E4:	0000	NOP		No operation
+000009E5:	2222	AND	R2,R18	Logical AND
+000009E6:	021E	MULS	R17,R30	Multiply signed
+000009E7:	001C	???		Data or unknown opcode
+000009E8:	0000	NOP		No operation
+000009E9:	043E	CPC	R3,R14	Compare with carry
+000009EA:	1008	CPSE	R0,R8	Compare, skip if equal
+000009EB:	003E	???		Data or unknown opcode
+000009EC:	0804	SBC	R0,R4	Subtract with carry
+000009ED:	1008	CPSE	R0,R8	Compare, skip if equal
+000009EE:	0808	SBC	R0,R8	Subtract with carry
+000009EF:	0004	???		Data or unknown opcode
+000009F0:	0808	SBC	R0,R8	Subtract with carry
+000009F1:	0808	SBC	R0,R8	Subtract with carry
+000009F2:	0808	SBC	R0,R8	Subtract with carry
+000009F3:	0008	???		Data or unknown opcode
+000009F4:	0408	CPC	R0,R8	Compare with carry
+000009F5:	0204	MULS	R16,R20	Multiply signed
+000009F6:	0404	CPC	R0,R4	Compare with carry
+000009F7:	0008	???		Data or unknown opcode
+000009F8:	2C1A	MOV	R1,R10	Copy register
+000009F9:	0000	NOP		No operation
+000009FA:	0000	NOP		No operation
+000009FB:	0000	NOP		No operation
+000009FC:	0000	NOP		No operation
+000009FD:	0000	NOP		No operation
+000009FE:	0000	NOP		No operation
+000009FF:	0000	NOP		No operation
+00000A00:	0000	NOP		No operation
+00000A01:	0000	NOP		No operation
+00000A02:	0000	NOP		No operation

+0000A03:	0000	NOP		No operation
+0000A04:	0707	CPC	R16,R23	Compare with carry
+0000A05:	0007	???		Data or unknown opcode
+0000A06:	0000	NOP		No operation
+0000A07:	0000	NOP		No operation
+0000A08:	3838	CPI	R19,0x88	Compare with immediate
+0000A09:	0038	???		Data or unknown opcode
+0000A0A:	0000	NOP		No operation
+0000A0B:	0000	NOP		No operation
+0000A0C:	3F3F	CPI	R19,0xFF	Compare with immediate
+0000A0D:	003F	???		Data or unknown opcode
+0000A0E:	0000	NOP		No operation
+0000A0F:	0000	NOP		No operation
+0000A10:	0000	NOP		No operation
+0000A11:	0700	CPC	R16,R16	Compare with carry
+0000A12:	0707	CPC	R16,R23	Compare with carry
+0000A13:	0000	NOP		No operation
+0000A14:	0707	CPC	R16,R23	Compare with carry
+0000A15:	0707	CPC	R16,R23	Compare with carry
+0000A16:	0707	CPC	R16,R23	Compare with carry
+0000A17:	0000	NOP		No operation
+0000A18:	3838	CPI	R19,0x88	Compare with immediate
+0000A19:	0738	CPC	R19,R24	Compare with carry
+0000A1A:	0707	CPC	R16,R23	Compare with carry
+0000A1B:	0000	NOP		No operation
+0000A1C:	3F3F	CPI	R19,0xFF	Compare with immediate
+0000A1D:	073F	CPC	R19,R31	Compare with carry
+0000A1E:	0707	CPC	R16,R23	Compare with carry
+0000A1F:	0000	NOP		No operation
+0000A20:	0000	NOP		No operation
+0000A21:	3800	CPI	R16,0x80	Compare with immediate
+0000A22:	3838	CPI	R19,0x88	Compare with immediate
+0000A23:	0000	NOP		No operation
+0000A24:	0707	CPC	R16,R23	Compare with carry

+0000A25:	3807	CPI	R16,0x87	Compare with immediate
+0000A26:	3838	CPI	R19,0x88	Compare with immediate
+0000A27:	0000	NOP		No operation
+0000A28:	3838	CPI	R19,0x88	Compare with immediate
+0000A29:	3838	CPI	R19,0x88	Compare with immediate
+0000A2A:	3838	CPI	R19,0x88	Compare with immediate
+0000A2B:	0000	NOP		No operation
+0000A2C:	3F3F	CPI	R19,0xFF	Compare with immediate
+0000A2D:	383F	CPI	R19,0x8F	Compare with immediate
+0000A2E:	3838	CPI	R19,0x88	Compare with immediate
+0000A2F:	0000	NOP		No operation
+0000A30:	0000	NOP		No operation
+0000A31:	3F00	CPI	R16,0xF0	Compare with immediate
+0000A32:	3F3F	CPI	R19,0xFF	Compare with immediate
+0000A33:	0000	NOP		No operation
+0000A34:	0707	CPC	R16,R23	Compare with carry
+0000A35:	3F07	CPI	R16,0xF7	Compare with immediate
+0000A36:	3F3F	CPI	R19,0xFF	Compare with immediate
+0000A37:	0000	NOP		No operation
+0000A38:	3838	CPI	R19,0x88	Compare with immediate
+0000A39:	3F38	CPI	R19,0xF8	Compare with immediate
+0000A3A:	3F3F	CPI	R19,0xFF	Compare with immediate
+0000A3B:	0000	NOP		No operation
+0000A3C:	3F3F	CPI	R19,0xFF	Compare with immediate
+0000A3D:	3F3F	CPI	R19,0xFF	Compare with immediate
+0000A3E:	3F3F	CPI	R19,0xFF	Compare with immediate
+0000A3F:	0000	NOP		No operation
+0000A40:	0000	NOP		No operation
+0000A41:	0000	NOP		No operation
+0000A42:	0000	NOP		No operation
+0000A43:	0707	CPC	R16,R23	Compare with carry
+0000A44:	0707	CPC	R16,R23	Compare with carry
+0000A45:	0007	???		Data or unknown opcode
+0000A46:	0000	NOP		No operation

+0000A47:	0707	CPC	R16,R23	Compare with carry
+0000A48:	3838	CPI	R19,0x88	Compare with immediate
+0000A49:	0038	???		Data or unknown opcode
+0000A4A:	0000	NOP		No operation
+0000A4B:	0707	CPC	R16,R23	Compare with carry
+0000A4C:	3F3F	CPI	R19,0xFF	Compare with immediate
+0000A4D:	003F	???		Data or unknown opcode
+0000A4E:	0000	NOP		No operation
+0000A4F:	0707	CPC	R16,R23	Compare with carry
+0000A50:	0000	NOP		No operation
+0000A51:	0700	CPC	R16,R16	Compare with carry
+0000A52:	0707	CPC	R16,R23	Compare with carry
+0000A53:	0707	CPC	R16,R23	Compare with carry
+0000A54:	0707	CPC	R16,R23	Compare with carry
+0000A55:	0707	CPC	R16,R23	Compare with carry
+0000A56:	0707	CPC	R16,R23	Compare with carry
+0000A57:	0707	CPC	R16,R23	Compare with carry
+0000A58:	3838	CPI	R19,0x88	Compare with immediate
+0000A59:	0738	CPC	R19,R24	Compare with carry
+0000A5A:	0707	CPC	R16,R23	Compare with carry
+0000A5B:	0707	CPC	R16,R23	Compare with carry
+0000A5C:	3F3F	CPI	R19,0xFF	Compare with immediate
+0000A5D:	073F	CPC	R19,R31	Compare with carry
+0000A5E:	0707	CPC	R16,R23	Compare with carry
+0000A5F:	0707	CPC	R16,R23	Compare with carry
+0000A60:	0000	NOP		No operation
+0000A61:	3800	CPI	R16,0x80	Compare with immediate
+0000A62:	3838	CPI	R19,0x88	Compare with immediate
+0000A63:	0707	CPC	R16,R23	Compare with carry
+0000A64:	0707	CPC	R16,R23	Compare with carry
+0000A65:	3807	CPI	R16,0x87	Compare with immediate
+0000A66:	3838	CPI	R19,0x88	Compare with immediate
+0000A67:	0707	CPC	R16,R23	Compare with carry
+0000A68:	3838	CPI	R19,0x88	Compare with immediate

+0000A69:	3838	CPI	R19,0x88	Compare with immediate
+0000A6A:	3838	CPI	R19,0x88	Compare with immediate
+0000A6B:	0707	CPC	R16,R23	Compare with carry
+0000A6C:	3F3F	CPI	R19,0xFF	Compare with immediate
+0000A6D:	383F	CPI	R19,0x8F	Compare with immediate
+0000A6E:	3838	CPI	R19,0x88	Compare with immediate
+0000A6F:	0707	CPC	R16,R23	Compare with carry
+0000A70:	0000	NOP		No operation
+0000A71:	3F00	CPI	R16,0xF0	Compare with immediate
+0000A72:	3F3F	CPI	R19,0xFF	Compare with immediate
+0000A73:	0707	CPC	R16,R23	Compare with carry
+0000A74:	0707	CPC	R16,R23	Compare with carry
+0000A75:	3F07	CPI	R16,0xF7	Compare with immediate
+0000A76:	3F3F	CPI	R19,0xFF	Compare with immediate
+0000A77:	0707	CPC	R16,R23	Compare with carry
+0000A78:	3838	CPI	R19,0x88	Compare with immediate
+0000A79:	3F38	CPI	R19,0xF8	Compare with immediate
+0000A7A:	3F3F	CPI	R19,0xFF	Compare with immediate
+0000A7B:	0707	CPC	R16,R23	Compare with carry
+0000A7C:	3F3F	CPI	R19,0xFF	Compare with immediate
+0000A7D:	3F3F	CPI	R19,0xFF	Compare with immediate
+0000A7E:	3F3F	CPI	R19,0xFF	Compare with immediate
+0000A7F:	0707	CPC	R16,R23	Compare with carry
+0000A80:	0000	NOP		No operation
+0000A81:	0000	NOP		No operation
+0000A82:	0000	NOP		No operation
+0000A83:	3838	CPI	R19,0x88	Compare with immediate
+0000A84:	0707	CPC	R16,R23	Compare with carry
+0000A85:	0007	???		Data or unknown opcode
+0000A86:	0000	NOP		No operation
+0000A87:	3838	CPI	R19,0x88	Compare with immediate
+0000A88:	3838	CPI	R19,0x88	Compare with immediate
+0000A89:	0038	???		Data or unknown opcode
+0000A8A:	0000	NOP		No operation

+0000A8B:	3838	CPI	R19,0x88	Compare with immediate
+0000A8C:	3F3F	CPI	R19,0xFF	Compare with immediate
+0000A8D:	003F	???		Data or unknown opcode
+0000A8E:	0000	NOP		No operation
+0000A8F:	3838	CPI	R19,0x88	Compare with immediate
+0000A90:	0000	NOP		No operation
+0000A91:	0700	CPC	R16,R16	Compare with carry
+0000A92:	0707	CPC	R16,R23	Compare with carry
+0000A93:	3838	CPI	R19,0x88	Compare with immediate
+0000A94:	0707	CPC	R16,R23	Compare with carry
+0000A95:	0707	CPC	R16,R23	Compare with carry
+0000A96:	0707	CPC	R16,R23	Compare with carry
+0000A97:	3838	CPI	R19,0x88	Compare with immediate
+0000A98:	3838	CPI	R19,0x88	Compare with immediate
+0000A99:	0738	CPC	R19,R24	Compare with carry
+0000A9A:	0707	CPC	R16,R23	Compare with carry
+0000A9B:	3838	CPI	R19,0x88	Compare with immediate
+0000A9C:	3F3F	CPI	R19,0xFF	Compare with immediate
+0000A9D:	073F	CPC	R19,R31	Compare with carry
+0000A9E:	0707	CPC	R16,R23	Compare with carry
+0000A9F:	3838	CPI	R19,0x88	Compare with immediate
+0000AA0:	0000	NOP		No operation
+0000AA1:	3800	CPI	R16,0x80	Compare with immediate
+0000AA2:	3838	CPI	R19,0x88	Compare with immediate
+0000AA3:	3838	CPI	R19,0x88	Compare with immediate
+0000AA4:	0707	CPC	R16,R23	Compare with carry
+0000AA5:	3807	CPI	R16,0x87	Compare with immediate
+0000AA6:	3838	CPI	R19,0x88	Compare with immediate
+0000AA7:	3838	CPI	R19,0x88	Compare with immediate
+0000AA8:	3838	CPI	R19,0x88	Compare with immediate
+0000AA9:	3838	CPI	R19,0x88	Compare with immediate
+0000AAA:	3838	CPI	R19,0x88	Compare with immediate
+0000AAB:	3838	CPI	R19,0x88	Compare with immediate
+0000AAC:	3F3F	CPI	R19,0xFF	Compare with immediate

+00000AAD:	383F	CPI	R19,0x8F	Compare with immediate
+00000AAE:	3838	CPI	R19,0x88	Compare with immediate
+00000AAF:	3838	CPI	R19,0x88	Compare with immediate
+00000AB0:	0000	NOP		No operation
+00000AB1:	3F00	CPI	R16,0xF0	Compare with immediate
+00000AB2:	3F3F	CPI	R19,0xFF	Compare with immediate
+00000AB3:	3838	CPI	R19,0x88	Compare with immediate
+00000AB4:	0707	CPC	R16,R23	Compare with carry
+00000AB5:	3F07	CPI	R16,0xF7	Compare with immediate
+00000AB6:	3F3F	CPI	R19,0xFF	Compare with immediate
+00000AB7:	3838	CPI	R19,0x88	Compare with immediate
+00000AB8:	3838	CPI	R19,0x88	Compare with immediate
+00000AB9:	3F38	CPI	R19,0xF8	Compare with immediate
+00000ABA:	3F3F	CPI	R19,0xFF	Compare with immediate
+00000ABB:	3838	CPI	R19,0x88	Compare with immediate
+00000ABC:	3F3F	CPI	R19,0xFF	Compare with immediate
+00000ABD:	3F3F	CPI	R19,0xFF	Compare with immediate
+00000ABE:	3F3F	CPI	R19,0xFF	Compare with immediate
+00000ABF:	3838	CPI	R19,0x88	Compare with immediate
+00000AC0:	0000	NOP		No operation
+00000AC1:	0000	NOP		No operation
+00000AC2:	0000	NOP		No operation
+00000AC3:	3F3F	CPI	R19,0xFF	Compare with immediate
+00000AC4:	0707	CPC	R16,R23	Compare with carry
+00000AC5:	0007	???		Data or unknown opcode
+00000AC6:	0000	NOP		No operation
+00000AC7:	3F3F	CPI	R19,0xFF	Compare with immediate
+00000AC8:	3838	CPI	R19,0x88	Compare with immediate
+00000AC9:	0038	???		Data or unknown opcode
+00000ACA:	0000	NOP		No operation
+00000ACB:	3F3F	CPI	R19,0xFF	Compare with immediate
+00000ACC:	3F3F	CPI	R19,0xFF	Compare with immediate
+00000ACD:	003F	???		Data or unknown opcode
+00000ACE:	0000	NOP		No operation

+00000ACF:	3F3F	CPI	R19,0xFF	Compare with immediate
+00000AD0:	0000	NOP		No operation
+00000AD1:	0700	CPC	R16,R16	Compare with carry
+00000AD2:	0707	CPC	R16,R23	Compare with carry
+00000AD3:	3F3F	CPI	R19,0xFF	Compare with immediate
+00000AD4:	0707	CPC	R16,R23	Compare with carry
+00000AD5:	0707	CPC	R16,R23	Compare with carry
+00000AD6:	0707	CPC	R16,R23	Compare with carry
+00000AD7:	3F3F	CPI	R19,0xFF	Compare with immediate
+00000AD8:	3838	CPI	R19,0x88	Compare with immediate
+00000AD9:	0738	CPC	R19,R24	Compare with carry
+00000ADA:	0707	CPC	R16,R23	Compare with carry
+00000ADB:	3F3F	CPI	R19,0xFF	Compare with immediate
+00000ADC:	3F3F	CPI	R19,0xFF	Compare with immediate
+00000ADD:	073F	CPC	R19,R31	Compare with carry
+00000ADE:	0707	CPC	R16,R23	Compare with carry
+00000ADF:	3F3F	CPI	R19,0xFF	Compare with immediate
+00000AE0:	0000	NOP		No operation
+00000AE1:	3800	CPI	R16,0x80	Compare with immediate
+00000AE2:	3838	CPI	R19,0x88	Compare with immediate
+00000AE3:	3F3F	CPI	R19,0xFF	Compare with immediate
+00000AE4:	0707	CPC	R16,R23	Compare with carry
+00000AE5:	3807	CPI	R16,0x87	Compare with immediate
+00000AE6:	3838	CPI	R19,0x88	Compare with immediate
+00000AE7:	3F3F	CPI	R19,0xFF	Compare with immediate
+00000AE8:	3838	CPI	R19,0x88	Compare with immediate
+00000AE9:	3838	CPI	R19,0x88	Compare with immediate
+00000AEA:	3838	CPI	R19,0x88	Compare with immediate
+00000AEB:	3F3F	CPI	R19,0xFF	Compare with immediate
+00000AEC:	3F3F	CPI	R19,0xFF	Compare with immediate
+00000AED:	383F	CPI	R19,0x8F	Compare with immediate
+00000AEE:	3838	CPI	R19,0x88	Compare with immediate
+00000AEF:	3F3F	CPI	R19,0xFF	Compare with immediate
+00000AF0:	0000	NOP		No operation

+0000AF1:	3F00	CPI	R16,0xF0	Compare with immediate
+0000AF2:	3F3F	CPI	R19,0xFF	Compare with immediate
+0000AF3:	3F3F	CPI	R19,0xFF	Compare with immediate
+0000AF4:	0707	CPC	R16,R23	Compare with carry
+0000AF5:	3F07	CPI	R16,0xF7	Compare with immediate
+0000AF6:	3F3F	CPI	R19,0xFF	Compare with immediate
+0000AF7:	3F3F	CPI	R19,0xFF	Compare with immediate
+0000AF8:	3838	CPI	R19,0x88	Compare with immediate
+0000AF9:	3F38	CPI	R19,0xF8	Compare with immediate
+0000AFA:	3F3F	CPI	R19,0xFF	Compare with immediate
+0000AFB:	3F3F	CPI	R19,0xFF	Compare with immediate
+0000AFC:	3F3F	CPI	R19,0xFF	Compare with immediate
+0000AFD:	3F3F	CPI	R19,0xFF	Compare with immediate
+0000AFE:	3F3F	CPI	R19,0xFF	Compare with immediate
+0000AFF:	3F3F	CPI	R19,0xFF	Compare with immediate
+0000B00:	FFFF	???		Data or unknown opcode
+0000B01:	FFFF	???		Data or unknown opcode
+0000B02:	FFFF	???		Data or unknown opcode
+0000B03:	FFFF	???		Data or unknown opcode
+0000B04:	FFFF	???		Data or unknown opcode
+0000B05:	FFFF	???		Data or unknown opcode
+0000B06:	FFFF	???		Data or unknown opcode
+0000B07:	FFFF	???		Data or unknown opcode
+0000B08:	FFFF	???		Data or unknown opcode
+0000B09:	FFFF	???		Data or unknown opcode
+0000B0A:	FFFF	???		Data or unknown opcode
+0000B0B:	FFFF	???		Data or unknown opcode
+0000B0C:	FFFF	???		Data or unknown opcode
+0000B0D:	FFFF	???		Data or unknown opcode
+0000B0E:	FFFF	???		Data or unknown opcode
+0000B0F:	FFFF	???		Data or unknown opcode
+0000B10:	FFFF	???		Data or unknown opcode
+0000B11:	FFFF	???		Data or unknown opcode
+0000B12:	FFFF	???		Data or unknown opcode

+00000B13:	FFFF	???	Data or unknown opcode
+00000B14:	FFFF	???	Data or unknown opcode
+00000B15:	FFFF	???	Data or unknown opcode
+00000B16:	FFFF	???	Data or unknown opcode
+00000B17:	FFFF	???	Data or unknown opcode
+00000B18:	FFFF	???	Data or unknown opcode
+00000B19:	FFFF	???	Data or unknown opcode
+00000B1A:	FFFF	???	Data or unknown opcode
+00000B1B:	FFFF	???	Data or unknown opcode
+00000B1C:	FFFF	???	Data or unknown opcode
+00000B1D:	FFFF	???	Data or unknown opcode
+00000B1E:	FFFF	???	Data or unknown opcode
+00000B1F:	FFFF	???	Data or unknown opcode
+00000B20:	FFFF	???	Data or unknown opcode
+00000B21:	FFFF	???	Data or unknown opcode
+00000B22:	FFFF	???	Data or unknown opcode
+00000B23:	FFFF	???	Data or unknown opcode
+00000B24:	FFFF	???	Data or unknown opcode
+00000B25:	FFFF	???	Data or unknown opcode
+00000B26:	FFFF	???	Data or unknown opcode
+00000B27:	FFFF	???	Data or unknown opcode
+00000B28:	FFFF	???	Data or unknown opcode
+00000B29:	FFFF	???	Data or unknown opcode
+00000B2A:	FFFF	???	Data or unknown opcode
+00000B2B:	FFFF	???	Data or unknown opcode
+00000B2C:	FFFF	???	Data or unknown opcode
+00000B2D:	FFFF	???	Data or unknown opcode
+00000B2E:	FFFF	???	Data or unknown opcode
+00000B2F:	FFFF	???	Data or unknown opcode
+00000B30:	FFFF	???	Data or unknown opcode
+00000B31:	FFFF	???	Data or unknown opcode
+00000B32:	FFFF	???	Data or unknown opcode
+00000B33:	FFFF	???	Data or unknown opcode
+00000B34:	FFFF	???	Data or unknown opcode

+0000B35:	FFFF	???	Data or unknown opcode
+0000B36:	FFFF	???	Data or unknown opcode
+0000B37:	FFFF	???	Data or unknown opcode
+0000B38:	FFFF	???	Data or unknown opcode
+0000B39:	FFFF	???	Data or unknown opcode
+0000B3A:	FFFF	???	Data or unknown opcode
+0000B3B:	FFFF	???	Data or unknown opcode
+0000B3C:	FFFF	???	Data or unknown opcode
+0000B3D:	FFFF	???	Data or unknown opcode
+0000B3E:	FFFF	???	Data or unknown opcode
+0000B3F:	FFFF	???	Data or unknown opcode
+0000B40:	FFFF	???	Data or unknown opcode
+0000B41:	FFFF	???	Data or unknown opcode
+0000B42:	FFFF	???	Data or unknown opcode
+0000B43:	FFFF	???	Data or unknown opcode
+0000B44:	FFFF	???	Data or unknown opcode
+0000B45:	FFFF	???	Data or unknown opcode
+0000B46:	FFFF	???	Data or unknown opcode
+0000B47:	FFFF	???	Data or unknown opcode
+0000B48:	FFFF	???	Data or unknown opcode
+0000B49:	FFFF	???	Data or unknown opcode
+0000B4A:	FFFF	???	Data or unknown opcode
+0000B4B:	FFFF	???	Data or unknown opcode
+0000B4C:	FFFF	???	Data or unknown opcode
+0000B4D:	FFFF	???	Data or unknown opcode
+0000B4E:	FFFF	???	Data or unknown opcode
+0000B4F:	FFFF	???	Data or unknown opcode
+0000B50:	FFFF	???	Data or unknown opcode
+0000B51:	FFFF	???	Data or unknown opcode
+0000B52:	FFFF	???	Data or unknown opcode
+0000B53:	FFFF	???	Data or unknown opcode
+0000B54:	FFFF	???	Data or unknown opcode
+0000B55:	FFFF	???	Data or unknown opcode
+0000B56:	FFFF	???	Data or unknown opcode

+0000B57:	FFFF	???	Data or unknown opcode
+0000B58:	FFFF	???	Data or unknown opcode
+0000B59:	FFFF	???	Data or unknown opcode
+0000B5A:	FFFF	???	Data or unknown opcode
+0000B5B:	FFFF	???	Data or unknown opcode
+0000B5C:	FFFF	???	Data or unknown opcode
+0000B5D:	FFFF	???	Data or unknown opcode
+0000B5E:	FFFF	???	Data or unknown opcode
+0000B5F:	FFFF	???	Data or unknown opcode
+0000B60:	FFFF	???	Data or unknown opcode
+0000B61:	FFFF	???	Data or unknown opcode
+0000B62:	FFFF	???	Data or unknown opcode
+0000B63:	FFFF	???	Data or unknown opcode
+0000B64:	FFFF	???	Data or unknown opcode
+0000B65:	FFFF	???	Data or unknown opcode
+0000B66:	FFFF	???	Data or unknown opcode
+0000B67:	FFFF	???	Data or unknown opcode
+0000B68:	FFFF	???	Data or unknown opcode
+0000B69:	FFFF	???	Data or unknown opcode
+0000B6A:	FFFF	???	Data or unknown opcode
+0000B6B:	FFFF	???	Data or unknown opcode
+0000B6C:	FFFF	???	Data or unknown opcode
+0000B6D:	FFFF	???	Data or unknown opcode
+0000B6E:	FFFF	???	Data or unknown opcode
+0000B6F:	FFFF	???	Data or unknown opcode
+0000B70:	FFFF	???	Data or unknown opcode
+0000B71:	FFFF	???	Data or unknown opcode
+0000B72:	FFFF	???	Data or unknown opcode
+0000B73:	FFFF	???	Data or unknown opcode
+0000B74:	FFFF	???	Data or unknown opcode
+0000B75:	FFFF	???	Data or unknown opcode
+0000B76:	FFFF	???	Data or unknown opcode
+0000B77:	FFFF	???	Data or unknown opcode
+0000B78:	FFFF	???	Data or unknown opcode

+0000B79:	FFFF	???	Data or unknown opcode
+0000B7A:	FFFF	???	Data or unknown opcode
+0000B7B:	FFFF	???	Data or unknown opcode
+0000B7C:	FFFF	???	Data or unknown opcode
+0000B7D:	FFFF	???	Data or unknown opcode
+0000B7E:	FFFF	???	Data or unknown opcode
+0000B7F:	FFFF	???	Data or unknown opcode
+0000B80:	FFFF	???	Data or unknown opcode
+0000B81:	FFFF	???	Data or unknown opcode
+0000B82:	FFFF	???	Data or unknown opcode
+0000B83:	FFFF	???	Data or unknown opcode
+0000B84:	FFFF	???	Data or unknown opcode
+0000B85:	FFFF	???	Data or unknown opcode
+0000B86:	FFFF	???	Data or unknown opcode
+0000B87:	FFFF	???	Data or unknown opcode
+0000B88:	FFFF	???	Data or unknown opcode
+0000B89:	FFFF	???	Data or unknown opcode
+0000B8A:	FFFF	???	Data or unknown opcode
+0000B8B:	FFFF	???	Data or unknown opcode
+0000B8C:	FFFF	???	Data or unknown opcode
+0000B8D:	FFFF	???	Data or unknown opcode
+0000B8E:	FFFF	???	Data or unknown opcode
+0000B8F:	FFFF	???	Data or unknown opcode
+0000B90:	FFFF	???	Data or unknown opcode
+0000B91:	FFFF	???	Data or unknown opcode
+0000B92:	FFFF	???	Data or unknown opcode
+0000B93:	FFFF	???	Data or unknown opcode
+0000B94:	FFFF	???	Data or unknown opcode
+0000B95:	FFFF	???	Data or unknown opcode
+0000B96:	FFFF	???	Data or unknown opcode
+0000B97:	FFFF	???	Data or unknown opcode
+0000B98:	FFFF	???	Data or unknown opcode
+0000B99:	FFFF	???	Data or unknown opcode
+0000B9A:	FFFF	???	Data or unknown opcode

+00000B9B:	FFFF	???	Data or unknown opcode
+00000B9C:	FFFF	???	Data or unknown opcode
+00000B9D:	FFFF	???	Data or unknown opcode
+00000B9E:	FFFF	???	Data or unknown opcode
+00000B9F:	FFFF	???	Data or unknown opcode
+00000BA0:	FFFF	???	Data or unknown opcode
+00000BA1:	FFFF	???	Data or unknown opcode
+00000BA2:	FFFF	???	Data or unknown opcode
+00000BA3:	FFFF	???	Data or unknown opcode
+00000BA4:	FFFF	???	Data or unknown opcode
+00000BA5:	FFFF	???	Data or unknown opcode
+00000BA6:	FFFF	???	Data or unknown opcode
+00000BA7:	FFFF	???	Data or unknown opcode
+00000BA8:	FFFF	???	Data or unknown opcode
+00000BA9:	FFFF	???	Data or unknown opcode
+00000BAA:	FFFF	???	Data or unknown opcode
+00000BAB:	FFFF	???	Data or unknown opcode
+00000BAC:	FFFF	???	Data or unknown opcode
+00000BAD:	FFFF	???	Data or unknown opcode
+00000BAE:	FFFF	???	Data or unknown opcode
+00000BAF:	FFFF	???	Data or unknown opcode
+00000BB0:	FFFF	???	Data or unknown opcode
+00000BB1:	FFFF	???	Data or unknown opcode
+00000BB2:	FFFF	???	Data or unknown opcode
+00000BB3:	FFFF	???	Data or unknown opcode
+00000BB4:	FFFF	???	Data or unknown opcode
+00000BB5:	FFFF	???	Data or unknown opcode
+00000BB6:	FFFF	???	Data or unknown opcode
+00000BB7:	FFFF	???	Data or unknown opcode
+00000BB8:	FFFF	???	Data or unknown opcode
+00000BB9:	FFFF	???	Data or unknown opcode
+00000BBA:	FFFF	???	Data or unknown opcode
+00000BBB:	FFFF	???	Data or unknown opcode
+00000BBC:	FFFF	???	Data or unknown opcode

+00000BBD:	FFFF	???	Data or unknown opcode
+00000BBE:	FFFF	???	Data or unknown opcode
+00000BBF:	FFFF	???	Data or unknown opcode
+00000BC0:	FFFF	???	Data or unknown opcode
+00000BC1:	FFFF	???	Data or unknown opcode
+00000BC2:	FFFF	???	Data or unknown opcode
+00000BC3:	FFFF	???	Data or unknown opcode
+00000BC4:	FFFF	???	Data or unknown opcode
+00000BC5:	FFFF	???	Data or unknown opcode
+00000BC6:	FFFF	???	Data or unknown opcode
+00000BC7:	FFFF	???	Data or unknown opcode
+00000BC8:	FFFF	???	Data or unknown opcode
+00000BC9:	FFFF	???	Data or unknown opcode
+00000BCA:	FFFF	???	Data or unknown opcode
+00000BCB:	FFFF	???	Data or unknown opcode
+00000BCC:	FFFF	???	Data or unknown opcode
+00000BCD:	FFFF	???	Data or unknown opcode
+00000BCE:	FFFF	???	Data or unknown opcode
+00000BCF:	FFFF	???	Data or unknown opcode
+00000BD0:	FFFF	???	Data or unknown opcode
+00000BD1:	FFFF	???	Data or unknown opcode
+00000BD2:	FFFF	???	Data or unknown opcode
+00000BD3:	FFFF	???	Data or unknown opcode
+00000BD4:	FFFF	???	Data or unknown opcode
+00000BD5:	FFFF	???	Data or unknown opcode
+00000BD6:	FFFF	???	Data or unknown opcode
+00000BD7:	FFFF	???	Data or unknown opcode
+00000BD8:	FFFF	???	Data or unknown opcode
+00000BD9:	FFFF	???	Data or unknown opcode
+00000BDA:	FFFF	???	Data or unknown opcode
+00000BDB:	FFFF	???	Data or unknown opcode
+00000BDC:	FFFF	???	Data or unknown opcode
+00000BDD:	FFFF	???	Data or unknown opcode
+00000BDE:	FFFF	???	Data or unknown opcode

+0000BDF:	FFFF	???	Data or unknown opcode
+0000BE0:	FFFF	???	Data or unknown opcode
+0000BE1:	FFFF	???	Data or unknown opcode
+0000BE2:	FFFF	???	Data or unknown opcode
+0000BE3:	FFFF	???	Data or unknown opcode
+0000BE4:	FFFF	???	Data or unknown opcode
+0000BE5:	FFFF	???	Data or unknown opcode
+0000BE6:	FFFF	???	Data or unknown opcode
+0000BE7:	FFFF	???	Data or unknown opcode
+0000BE8:	FFFF	???	Data or unknown opcode
+0000BE9:	FFFF	???	Data or unknown opcode
+0000BEA:	FFFF	???	Data or unknown opcode
+0000BEB:	FFFF	???	Data or unknown opcode
+0000BEC:	FFFF	???	Data or unknown opcode
+0000BED:	FFFF	???	Data or unknown opcode
+0000BEE:	FFFF	???	Data or unknown opcode
+0000BEF:	FFFF	???	Data or unknown opcode
+0000BF0:	FFFF	???	Data or unknown opcode
+0000BF1:	FFFF	???	Data or unknown opcode
+0000BF2:	FFFF	???	Data or unknown opcode
+0000BF3:	FFFF	???	Data or unknown opcode
+0000BF4:	FFFF	???	Data or unknown opcode
+0000BF5:	FFFF	???	Data or unknown opcode
+0000BF6:	FFFF	???	Data or unknown opcode
+0000BF7:	FFFF	???	Data or unknown opcode
+0000BF8:	FFFF	???	Data or unknown opcode
+0000BF9:	FFFF	???	Data or unknown opcode
+0000BFA:	FFFF	???	Data or unknown opcode
+0000BFB:	FFFF	???	Data or unknown opcode
+0000BFC:	FFFF	???	Data or unknown opcode
+0000BFD:	FFFF	???	Data or unknown opcode
+0000BFE:	FFFF	???	Data or unknown opcode
+0000BFF:	FFFF	???	Data or unknown opcode
+0000C00:	FFFF	???	Data or unknown opcode

+00000C01:	FFFF	???	Data or unknown opcode
+00000C02:	FFFF	???	Data or unknown opcode
+00000C03:	FFFF	???	Data or unknown opcode
+00000C04:	FFFF	???	Data or unknown opcode
+00000C05:	FFFF	???	Data or unknown opcode
+00000C06:	FFFF	???	Data or unknown opcode
+00000C07:	FFFF	???	Data or unknown opcode
+00000C08:	FFFF	???	Data or unknown opcode
+00000C09:	FFFF	???	Data or unknown opcode
+00000C0A:	FFFF	???	Data or unknown opcode
+00000C0B:	FFFF	???	Data or unknown opcode
+00000C0C:	FFFF	???	Data or unknown opcode
+00000C0D:	FFFF	???	Data or unknown opcode
+00000C0E:	FFFF	???	Data or unknown opcode
+00000C0F:	FFFF	???	Data or unknown opcode
+00000C10:	FFFF	???	Data or unknown opcode
+00000C11:	FFFF	???	Data or unknown opcode
+00000C12:	FFFF	???	Data or unknown opcode
+00000C13:	FFFF	???	Data or unknown opcode
+00000C14:	FFFF	???	Data or unknown opcode
+00000C15:	FFFF	???	Data or unknown opcode
+00000C16:	FFFF	???	Data or unknown opcode
+00000C17:	FFFF	???	Data or unknown opcode
+00000C18:	FFFF	???	Data or unknown opcode
+00000C19:	FFFF	???	Data or unknown opcode
+00000C1A:	FFFF	???	Data or unknown opcode
+00000C1B:	FFFF	???	Data or unknown opcode
+00000C1C:	FFFF	???	Data or unknown opcode
+00000C1D:	FFFF	???	Data or unknown opcode
+00000C1E:	FFFF	???	Data or unknown opcode
+00000C1F:	FFFF	???	Data or unknown opcode
+00000C20:	FFFF	???	Data or unknown opcode
+00000C21:	FFFF	???	Data or unknown opcode
+00000C22:	FFFF	???	Data or unknown opcode

+00000C23:	FFFF	???	Data or unknown opcode
+00000C24:	FFFF	???	Data or unknown opcode
+00000C25:	FFFF	???	Data or unknown opcode
+00000C26:	FFFF	???	Data or unknown opcode
+00000C27:	FFFF	???	Data or unknown opcode
+00000C28:	FFFF	???	Data or unknown opcode
+00000C29:	FFFF	???	Data or unknown opcode
+00000C2A:	FFFF	???	Data or unknown opcode
+00000C2B:	FFFF	???	Data or unknown opcode
+00000C2C:	FFFF	???	Data or unknown opcode
+00000C2D:	FFFF	???	Data or unknown opcode
+00000C2E:	FFFF	???	Data or unknown opcode
+00000C2F:	FFFF	???	Data or unknown opcode
+00000C30:	FFFF	???	Data or unknown opcode
+00000C31:	FFFF	???	Data or unknown opcode
+00000C32:	FFFF	???	Data or unknown opcode
+00000C33:	FFFF	???	Data or unknown opcode
+00000C34:	FFFF	???	Data or unknown opcode
+00000C35:	FFFF	???	Data or unknown opcode
+00000C36:	FFFF	???	Data or unknown opcode
+00000C37:	FFFF	???	Data or unknown opcode
+00000C38:	FFFF	???	Data or unknown opcode
+00000C39:	FFFF	???	Data or unknown opcode
+00000C3A:	FFFF	???	Data or unknown opcode
+00000C3B:	FFFF	???	Data or unknown opcode
+00000C3C:	FFFF	???	Data or unknown opcode
+00000C3D:	FFFF	???	Data or unknown opcode
+00000C3E:	FFFF	???	Data or unknown opcode
+00000C3F:	FFFF	???	Data or unknown opcode
+00000C40:	FFFF	???	Data or unknown opcode
+00000C41:	FFFF	???	Data or unknown opcode
+00000C42:	FFFF	???	Data or unknown opcode
+00000C43:	FFFF	???	Data or unknown opcode
+00000C44:	FFFF	???	Data or unknown opcode

+0000C45:	FFFF	???	Data or unknown opcode
+0000C46:	FFFF	???	Data or unknown opcode
+0000C47:	FFFF	???	Data or unknown opcode
+0000C48:	FFFF	???	Data or unknown opcode
+0000C49:	FFFF	???	Data or unknown opcode
+0000C4A:	FFFF	???	Data or unknown opcode
+0000C4B:	FFFF	???	Data or unknown opcode
+0000C4C:	FFFF	???	Data or unknown opcode
+0000C4D:	FFFF	???	Data or unknown opcode
+0000C4E:	FFFF	???	Data or unknown opcode
+0000C4F:	FFFF	???	Data or unknown opcode
+0000C50:	FFFF	???	Data or unknown opcode
+0000C51:	FFFF	???	Data or unknown opcode
+0000C52:	FFFF	???	Data or unknown opcode
+0000C53:	FFFF	???	Data or unknown opcode
+0000C54:	FFFF	???	Data or unknown opcode
+0000C55:	FFFF	???	Data or unknown opcode
+0000C56:	FFFF	???	Data or unknown opcode
+0000C57:	FFFF	???	Data or unknown opcode
+0000C58:	FFFF	???	Data or unknown opcode
+0000C59:	FFFF	???	Data or unknown opcode
+0000C5A:	FFFF	???	Data or unknown opcode
+0000C5B:	FFFF	???	Data or unknown opcode
+0000C5C:	FFFF	???	Data or unknown opcode
+0000C5D:	FFFF	???	Data or unknown opcode
+0000C5E:	FFFF	???	Data or unknown opcode
+0000C5F:	FFFF	???	Data or unknown opcode
+0000C60:	FFFF	???	Data or unknown opcode
+0000C61:	FFFF	???	Data or unknown opcode
+0000C62:	FFFF	???	Data or unknown opcode
+0000C63:	FFFF	???	Data or unknown opcode
+0000C64:	FFFF	???	Data or unknown opcode
+0000C65:	FFFF	???	Data or unknown opcode
+0000C66:	FFFF	???	Data or unknown opcode

+00000C67:	FFFF	???	Data or unknown opcode
+00000C68:	FFFF	???	Data or unknown opcode
+00000C69:	FFFF	???	Data or unknown opcode
+00000C6A:	FFFF	???	Data or unknown opcode
+00000C6B:	FFFF	???	Data or unknown opcode
+00000C6C:	FFFF	???	Data or unknown opcode
+00000C6D:	FFFF	???	Data or unknown opcode
+00000C6E:	FFFF	???	Data or unknown opcode
+00000C6F:	FFFF	???	Data or unknown opcode
+00000C70:	FFFF	???	Data or unknown opcode
+00000C71:	FFFF	???	Data or unknown opcode
+00000C72:	FFFF	???	Data or unknown opcode
+00000C73:	FFFF	???	Data or unknown opcode
+00000C74:	FFFF	???	Data or unknown opcode
+00000C75:	FFFF	???	Data or unknown opcode
+00000C76:	FFFF	???	Data or unknown opcode
+00000C77:	FFFF	???	Data or unknown opcode
+00000C78:	FFFF	???	Data or unknown opcode
+00000C79:	FFFF	???	Data or unknown opcode
+00000C7A:	FFFF	???	Data or unknown opcode
+00000C7B:	FFFF	???	Data or unknown opcode
+00000C7C:	FFFF	???	Data or unknown opcode
+00000C7D:	FFFF	???	Data or unknown opcode
+00000C7E:	FFFF	???	Data or unknown opcode
+00000C7F:	FFFF	???	Data or unknown opcode
+00000C80:	FFFF	???	Data or unknown opcode
+00000C81:	FFFF	???	Data or unknown opcode
+00000C82:	FFFF	???	Data or unknown opcode
+00000C83:	FFFF	???	Data or unknown opcode
+00000C84:	FFFF	???	Data or unknown opcode
+00000C85:	FFFF	???	Data or unknown opcode
+00000C86:	FFFF	???	Data or unknown opcode
+00000C87:	FFFF	???	Data or unknown opcode
+00000C88:	FFFF	???	Data or unknown opcode

+0000C89:	FFFF	???	Data or unknown opcode
+0000C8A:	FFFF	???	Data or unknown opcode
+0000C8B:	FFFF	???	Data or unknown opcode
+0000C8C:	FFFF	???	Data or unknown opcode
+0000C8D:	FFFF	???	Data or unknown opcode
+0000C8E:	FFFF	???	Data or unknown opcode
+0000C8F:	FFFF	???	Data or unknown opcode
+0000C90:	FFFF	???	Data or unknown opcode
+0000C91:	FFFF	???	Data or unknown opcode
+0000C92:	FFFF	???	Data or unknown opcode
+0000C93:	FFFF	???	Data or unknown opcode
+0000C94:	FFFF	???	Data or unknown opcode
+0000C95:	FFFF	???	Data or unknown opcode
+0000C96:	FFFF	???	Data or unknown opcode
+0000C97:	FFFF	???	Data or unknown opcode
+0000C98:	FFFF	???	Data or unknown opcode
+0000C99:	FFFF	???	Data or unknown opcode
+0000C9A:	FFFF	???	Data or unknown opcode
+0000C9B:	FFFF	???	Data or unknown opcode
+0000C9C:	FFFF	???	Data or unknown opcode
+0000C9D:	FFFF	???	Data or unknown opcode
+0000C9E:	FFFF	???	Data or unknown opcode
+0000C9F:	FFFF	???	Data or unknown opcode
+0000CA0:	FFFF	???	Data or unknown opcode
+0000CA1:	FFFF	???	Data or unknown opcode
+0000CA2:	FFFF	???	Data or unknown opcode
+0000CA3:	FFFF	???	Data or unknown opcode
+0000CA4:	FFFF	???	Data or unknown opcode
+0000CA5:	FFFF	???	Data or unknown opcode
+0000CA6:	FFFF	???	Data or unknown opcode
+0000CA7:	FFFF	???	Data or unknown opcode
+0000CA8:	FFFF	???	Data or unknown opcode
+0000CA9:	FFFF	???	Data or unknown opcode
+0000CAA:	FFFF	???	Data or unknown opcode

+0000CAB:	FFFF	???	Data or unknown opcode
+0000CAC:	FFFF	???	Data or unknown opcode
+0000CAD:	FFFF	???	Data or unknown opcode
+0000CAE:	FFFF	???	Data or unknown opcode
+0000CAF:	FFFF	???	Data or unknown opcode
+0000CB0:	FFFF	???	Data or unknown opcode
+0000CB1:	FFFF	???	Data or unknown opcode
+0000CB2:	FFFF	???	Data or unknown opcode
+0000CB3:	FFFF	???	Data or unknown opcode
+0000CB4:	FFFF	???	Data or unknown opcode
+0000CB5:	FFFF	???	Data or unknown opcode
+0000CB6:	FFFF	???	Data or unknown opcode
+0000CB7:	FFFF	???	Data or unknown opcode
+0000CB8:	FFFF	???	Data or unknown opcode
+0000CB9:	FFFF	???	Data or unknown opcode
+0000CBA:	FFFF	???	Data or unknown opcode
+0000CBB:	FFFF	???	Data or unknown opcode
+0000CBC:	FFFF	???	Data or unknown opcode
+0000CBD:	FFFF	???	Data or unknown opcode
+0000CBE:	FFFF	???	Data or unknown opcode
+0000CBF:	FFFF	???	Data or unknown opcode
+0000CC0:	FFFF	???	Data or unknown opcode
+0000CC1:	FFFF	???	Data or unknown opcode
+0000CC2:	FFFF	???	Data or unknown opcode
+0000CC3:	FFFF	???	Data or unknown opcode
+0000CC4:	FFFF	???	Data or unknown opcode
+0000CC5:	FFFF	???	Data or unknown opcode
+0000CC6:	FFFF	???	Data or unknown opcode
+0000CC7:	FFFF	???	Data or unknown opcode
+0000CC8:	FFFF	???	Data or unknown opcode
+0000CC9:	FFFF	???	Data or unknown opcode
+0000CCA:	FFFF	???	Data or unknown opcode
+0000CCB:	FFFF	???	Data or unknown opcode
+0000CCC:	FFFF	???	Data or unknown opcode

+0000CCD:	FFFF	???	Data or unknown opcode
+0000CCE:	FFFF	???	Data or unknown opcode
+0000CCF:	FFFF	???	Data or unknown opcode
+0000CD0:	FFFF	???	Data or unknown opcode
+0000CD1:	FFFF	???	Data or unknown opcode
+0000CD2:	FFFF	???	Data or unknown opcode
+0000CD3:	FFFF	???	Data or unknown opcode
+0000CD4:	FFFF	???	Data or unknown opcode
+0000CD5:	FFFF	???	Data or unknown opcode
+0000CD6:	FFFF	???	Data or unknown opcode
+0000CD7:	FFFF	???	Data or unknown opcode
+0000CD8:	FFFF	???	Data or unknown opcode
+0000CD9:	FFFF	???	Data or unknown opcode
+0000CDA:	FFFF	???	Data or unknown opcode
+0000CDB:	FFFF	???	Data or unknown opcode
+0000CDC:	FFFF	???	Data or unknown opcode
+0000CDD:	FFFF	???	Data or unknown opcode
+0000CDE:	FFFF	???	Data or unknown opcode
+0000CDF:	FFFF	???	Data or unknown opcode
+0000CE0:	FFFF	???	Data or unknown opcode
+0000CE1:	FFFF	???	Data or unknown opcode
+0000CE2:	FFFF	???	Data or unknown opcode
+0000CE3:	FFFF	???	Data or unknown opcode
+0000CE4:	FFFF	???	Data or unknown opcode
+0000CE5:	FFFF	???	Data or unknown opcode
+0000CE6:	FFFF	???	Data or unknown opcode
+0000CE7:	FFFF	???	Data or unknown opcode
+0000CE8:	FFFF	???	Data or unknown opcode
+0000CE9:	FFFF	???	Data or unknown opcode
+0000CEA:	FFFF	???	Data or unknown opcode
+0000CEB:	FFFF	???	Data or unknown opcode
+0000CEC:	FFFF	???	Data or unknown opcode
+0000CED:	FFFF	???	Data or unknown opcode
+0000CEE:	FFFF	???	Data or unknown opcode

+0000CEF:	FFFF	???	Data or unknown opcode
+0000CF0:	FFFF	???	Data or unknown opcode
+0000CF1:	FFFF	???	Data or unknown opcode
+0000CF2:	FFFF	???	Data or unknown opcode
+0000CF3:	FFFF	???	Data or unknown opcode
+0000CF4:	FFFF	???	Data or unknown opcode
+0000CF5:	FFFF	???	Data or unknown opcode
+0000CF6:	FFFF	???	Data or unknown opcode
+0000CF7:	FFFF	???	Data or unknown opcode
+0000CF8:	FFFF	???	Data or unknown opcode
+0000CF9:	FFFF	???	Data or unknown opcode
+0000CFA:	FFFF	???	Data or unknown opcode
+0000CFB:	FFFF	???	Data or unknown opcode
+0000CFC:	FFFF	???	Data or unknown opcode
+0000CFD:	FFFF	???	Data or unknown opcode
+0000CFE:	FFFF	???	Data or unknown opcode
+0000CFE:	FFFF	???	Data or unknown opcode
+0000D00:	FFFF	???	Data or unknown opcode
+0000D01:	FFFF	???	Data or unknown opcode
+0000D02:	FFFF	???	Data or unknown opcode
+0000D03:	FFFF	???	Data or unknown opcode
+0000D04:	FFFF	???	Data or unknown opcode
+0000D05:	FFFF	???	Data or unknown opcode
+0000D06:	FFFF	???	Data or unknown opcode
+0000D07:	FFFF	???	Data or unknown opcode
+0000D08:	FFFF	???	Data or unknown opcode
+0000D09:	FFFF	???	Data or unknown opcode
+0000D0A:	FFFF	???	Data or unknown opcode
+0000D0B:	FFFF	???	Data or unknown opcode
+0000D0C:	FFFF	???	Data or unknown opcode
+0000D0D:	FFFF	???	Data or unknown opcode
+0000D0E:	FFFF	???	Data or unknown opcode
+0000D0F:	FFFF	???	Data or unknown opcode
+0000D10:	FFFF	???	Data or unknown opcode

+0000D11:	FFFF	???	Data or unknown opcode
+0000D12:	FFFF	???	Data or unknown opcode
+0000D13:	FFFF	???	Data or unknown opcode
+0000D14:	FFFF	???	Data or unknown opcode
+0000D15:	FFFF	???	Data or unknown opcode
+0000D16:	FFFF	???	Data or unknown opcode
+0000D17:	FFFF	???	Data or unknown opcode
+0000D18:	FFFF	???	Data or unknown opcode
+0000D19:	FFFF	???	Data or unknown opcode
+0000D1A:	FFFF	???	Data or unknown opcode
+0000D1B:	FFFF	???	Data or unknown opcode
+0000D1C:	FFFF	???	Data or unknown opcode
+0000D1D:	FFFF	???	Data or unknown opcode
+0000D1E:	FFFF	???	Data or unknown opcode
+0000D1F:	FFFF	???	Data or unknown opcode
+0000D20:	FFFF	???	Data or unknown opcode
+0000D21:	FFFF	???	Data or unknown opcode
+0000D22:	FFFF	???	Data or unknown opcode
+0000D23:	FFFF	???	Data or unknown opcode
+0000D24:	FFFF	???	Data or unknown opcode
+0000D25:	FFFF	???	Data or unknown opcode
+0000D26:	FFFF	???	Data or unknown opcode
+0000D27:	FFFF	???	Data or unknown opcode
+0000D28:	FFFF	???	Data or unknown opcode
+0000D29:	FFFF	???	Data or unknown opcode
+0000D2A:	FFFF	???	Data or unknown opcode
+0000D2B:	FFFF	???	Data or unknown opcode
+0000D2C:	FFFF	???	Data or unknown opcode
+0000D2D:	FFFF	???	Data or unknown opcode
+0000D2E:	FFFF	???	Data or unknown opcode
+0000D2F:	FFFF	???	Data or unknown opcode
+0000D30:	FFFF	???	Data or unknown opcode
+0000D31:	FFFF	???	Data or unknown opcode
+0000D32:	FFFF	???	Data or unknown opcode

+0000D33:	FFFF	???	Data or unknown opcode
+0000D34:	FFFF	???	Data or unknown opcode
+0000D35:	FFFF	???	Data or unknown opcode
+0000D36:	FFFF	???	Data or unknown opcode
+0000D37:	FFFF	???	Data or unknown opcode
+0000D38:	FFFF	???	Data or unknown opcode
+0000D39:	FFFF	???	Data or unknown opcode
+0000D3A:	FFFF	???	Data or unknown opcode
+0000D3B:	FFFF	???	Data or unknown opcode
+0000D3C:	FFFF	???	Data or unknown opcode
+0000D3D:	FFFF	???	Data or unknown opcode
+0000D3E:	FFFF	???	Data or unknown opcode
+0000D3F:	FFFF	???	Data or unknown opcode
+0000D40:	FFFF	???	Data or unknown opcode
+0000D41:	FFFF	???	Data or unknown opcode
+0000D42:	FFFF	???	Data or unknown opcode
+0000D43:	FFFF	???	Data or unknown opcode
+0000D44:	FFFF	???	Data or unknown opcode
+0000D45:	FFFF	???	Data or unknown opcode
+0000D46:	FFFF	???	Data or unknown opcode
+0000D47:	FFFF	???	Data or unknown opcode
+0000D48:	FFFF	???	Data or unknown opcode
+0000D49:	FFFF	???	Data or unknown opcode
+0000D4A:	FFFF	???	Data or unknown opcode
+0000D4B:	FFFF	???	Data or unknown opcode
+0000D4C:	FFFF	???	Data or unknown opcode
+0000D4D:	FFFF	???	Data or unknown opcode
+0000D4E:	FFFF	???	Data or unknown opcode
+0000D4F:	FFFF	???	Data or unknown opcode
+0000D50:	FFFF	???	Data or unknown opcode
+0000D51:	FFFF	???	Data or unknown opcode
+0000D52:	FFFF	???	Data or unknown opcode
+0000D53:	FFFF	???	Data or unknown opcode
+0000D54:	FFFF	???	Data or unknown opcode

+0000D55:	FFFF	???	Data or unknown opcode
+0000D56:	FFFF	???	Data or unknown opcode
+0000D57:	FFFF	???	Data or unknown opcode
+0000D58:	FFFF	???	Data or unknown opcode
+0000D59:	FFFF	???	Data or unknown opcode
+0000D5A:	FFFF	???	Data or unknown opcode
+0000D5B:	FFFF	???	Data or unknown opcode
+0000D5C:	FFFF	???	Data or unknown opcode
+0000D5D:	FFFF	???	Data or unknown opcode
+0000D5E:	FFFF	???	Data or unknown opcode
+0000D5F:	FFFF	???	Data or unknown opcode
+0000D60:	FFFF	???	Data or unknown opcode
+0000D61:	FFFF	???	Data or unknown opcode
+0000D62:	FFFF	???	Data or unknown opcode
+0000D63:	FFFF	???	Data or unknown opcode
+0000D64:	FFFF	???	Data or unknown opcode
+0000D65:	FFFF	???	Data or unknown opcode
+0000D66:	FFFF	???	Data or unknown opcode
+0000D67:	FFFF	???	Data or unknown opcode
+0000D68:	FFFF	???	Data or unknown opcode
+0000D69:	FFFF	???	Data or unknown opcode
+0000D6A:	FFFF	???	Data or unknown opcode
+0000D6B:	FFFF	???	Data or unknown opcode
+0000D6C:	FFFF	???	Data or unknown opcode
+0000D6D:	FFFF	???	Data or unknown opcode
+0000D6E:	FFFF	???	Data or unknown opcode
+0000D6F:	FFFF	???	Data or unknown opcode
+0000D70:	FFFF	???	Data or unknown opcode
+0000D71:	FFFF	???	Data or unknown opcode
+0000D72:	FFFF	???	Data or unknown opcode
+0000D73:	FFFF	???	Data or unknown opcode
+0000D74:	FFFF	???	Data or unknown opcode
+0000D75:	FFFF	???	Data or unknown opcode
+0000D76:	FFFF	???	Data or unknown opcode

+0000D77:	FFFF	???	Data or unknown opcode
+0000D78:	FFFF	???	Data or unknown opcode
+0000D79:	FFFF	???	Data or unknown opcode
+0000D7A:	FFFF	???	Data or unknown opcode
+0000D7B:	FFFF	???	Data or unknown opcode
+0000D7C:	FFFF	???	Data or unknown opcode
+0000D7D:	FFFF	???	Data or unknown opcode
+0000D7E:	FFFF	???	Data or unknown opcode
+0000D7F:	FFFF	???	Data or unknown opcode
+0000D80:	FFFF	???	Data or unknown opcode
+0000D81:	FFFF	???	Data or unknown opcode
+0000D82:	FFFF	???	Data or unknown opcode
+0000D83:	FFFF	???	Data or unknown opcode
+0000D84:	FFFF	???	Data or unknown opcode
+0000D85:	FFFF	???	Data or unknown opcode
+0000D86:	FFFF	???	Data or unknown opcode
+0000D87:	FFFF	???	Data or unknown opcode
+0000D88:	FFFF	???	Data or unknown opcode
+0000D89:	FFFF	???	Data or unknown opcode
+0000D8A:	FFFF	???	Data or unknown opcode
+0000D8B:	FFFF	???	Data or unknown opcode
+0000D8C:	FFFF	???	Data or unknown opcode
+0000D8D:	FFFF	???	Data or unknown opcode
+0000D8E:	FFFF	???	Data or unknown opcode
+0000D8F:	FFFF	???	Data or unknown opcode
+0000D90:	FFFF	???	Data or unknown opcode
+0000D91:	FFFF	???	Data or unknown opcode
+0000D92:	FFFF	???	Data or unknown opcode
+0000D93:	FFFF	???	Data or unknown opcode
+0000D94:	FFFF	???	Data or unknown opcode
+0000D95:	FFFF	???	Data or unknown opcode
+0000D96:	FFFF	???	Data or unknown opcode
+0000D97:	FFFF	???	Data or unknown opcode
+0000D98:	FFFF	???	Data or unknown opcode

+0000D99:	FFFF	???	Data or unknown opcode
+0000D9A:	FFFF	???	Data or unknown opcode
+0000D9B:	FFFF	???	Data or unknown opcode
+0000D9C:	FFFF	???	Data or unknown opcode
+0000D9D:	FFFF	???	Data or unknown opcode
+0000D9E:	FFFF	???	Data or unknown opcode
+0000D9F:	FFFF	???	Data or unknown opcode
+0000DA0:	FFFF	???	Data or unknown opcode
+0000DA1:	FFFF	???	Data or unknown opcode
+0000DA2:	FFFF	???	Data or unknown opcode
+0000DA3:	FFFF	???	Data or unknown opcode
+0000DA4:	FFFF	???	Data or unknown opcode
+0000DA5:	FFFF	???	Data or unknown opcode
+0000DA6:	FFFF	???	Data or unknown opcode
+0000DA7:	FFFF	???	Data or unknown opcode
+0000DA8:	FFFF	???	Data or unknown opcode
+0000DA9:	FFFF	???	Data or unknown opcode
+0000DAA:	FFFF	???	Data or unknown opcode
+0000DAB:	FFFF	???	Data or unknown opcode
+0000DAC:	FFFF	???	Data or unknown opcode
+0000DAD:	FFFF	???	Data or unknown opcode
+0000DAE:	FFFF	???	Data or unknown opcode
+0000DAF:	FFFF	???	Data or unknown opcode
+0000DB0:	FFFF	???	Data or unknown opcode
+0000DB1:	FFFF	???	Data or unknown opcode
+0000DB2:	FFFF	???	Data or unknown opcode
+0000DB3:	FFFF	???	Data or unknown opcode
+0000DB4:	FFFF	???	Data or unknown opcode
+0000DB5:	FFFF	???	Data or unknown opcode
+0000DB6:	FFFF	???	Data or unknown opcode
+0000DB7:	FFFF	???	Data or unknown opcode
+0000DB8:	FFFF	???	Data or unknown opcode
+0000DB9:	FFFF	???	Data or unknown opcode
+0000DBA:	FFFF	???	Data or unknown opcode

+00000DBB:	FFFF	???	Data or unknown opcode
+00000DBC:	FFFF	???	Data or unknown opcode
+00000DBD:	FFFF	???	Data or unknown opcode
+00000DBE:	FFFF	???	Data or unknown opcode
+00000DBF:	FFFF	???	Data or unknown opcode
+00000DC0:	FFFF	???	Data or unknown opcode
+00000DC1:	FFFF	???	Data or unknown opcode
+00000DC2:	FFFF	???	Data or unknown opcode
+00000DC3:	FFFF	???	Data or unknown opcode
+00000DC4:	FFFF	???	Data or unknown opcode
+00000DC5:	FFFF	???	Data or unknown opcode
+00000DC6:	FFFF	???	Data or unknown opcode
+00000DC7:	FFFF	???	Data or unknown opcode
+00000DC8:	FFFF	???	Data or unknown opcode
+00000DC9:	FFFF	???	Data or unknown opcode
+00000DCA:	FFFF	???	Data or unknown opcode
+00000DCB:	FFFF	???	Data or unknown opcode
+00000DCC:	FFFF	???	Data or unknown opcode
+00000DCD:	FFFF	???	Data or unknown opcode
+00000DCE:	FFFF	???	Data or unknown opcode
+00000DCF:	FFFF	???	Data or unknown opcode
+00000DD0:	FFFF	???	Data or unknown opcode
+00000DD1:	FFFF	???	Data or unknown opcode
+00000DD2:	FFFF	???	Data or unknown opcode
+00000DD3:	FFFF	???	Data or unknown opcode
+00000DD4:	FFFF	???	Data or unknown opcode
+00000DD5:	FFFF	???	Data or unknown opcode
+00000DD6:	FFFF	???	Data or unknown opcode
+00000DD7:	FFFF	???	Data or unknown opcode
+00000DD8:	FFFF	???	Data or unknown opcode
+00000DD9:	FFFF	???	Data or unknown opcode
+00000DDA:	FFFF	???	Data or unknown opcode
+00000ddb:	FFFF	???	Data or unknown opcode
+00000ddc:	FFFF	???	Data or unknown opcode

+00000DDD:	FFFF	???	Data or unknown opcode
+00000DDE:	FFFF	???	Data or unknown opcode
+00000DDF:	FFFF	???	Data or unknown opcode
+00000DE0:	FFFF	???	Data or unknown opcode
+00000DE1:	FFFF	???	Data or unknown opcode
+00000DE2:	FFFF	???	Data or unknown opcode
+00000DE3:	FFFF	???	Data or unknown opcode
+00000DE4:	FFFF	???	Data or unknown opcode
+00000DE5:	FFFF	???	Data or unknown opcode
+00000DE6:	FFFF	???	Data or unknown opcode
+00000DE7:	FFFF	???	Data or unknown opcode
+00000DE8:	FFFF	???	Data or unknown opcode
+00000DE9:	FFFF	???	Data or unknown opcode
+00000DEA:	FFFF	???	Data or unknown opcode
+00000DEB:	FFFF	???	Data or unknown opcode
+00000DEC:	FFFF	???	Data or unknown opcode
+00000DED:	FFFF	???	Data or unknown opcode
+00000DEE:	FFFF	???	Data or unknown opcode
+00000DEF:	FFFF	???	Data or unknown opcode
+00000DF0:	FFFF	???	Data or unknown opcode
+00000DF1:	FFFF	???	Data or unknown opcode
+00000DF2:	FFFF	???	Data or unknown opcode
+00000DF3:	FFFF	???	Data or unknown opcode
+00000DF4:	FFFF	???	Data or unknown opcode
+00000DF5:	FFFF	???	Data or unknown opcode
+00000DF6:	FFFF	???	Data or unknown opcode
+00000DF7:	FFFF	???	Data or unknown opcode
+00000DF8:	FFFF	???	Data or unknown opcode
+00000DF9:	FFFF	???	Data or unknown opcode
+00000DFA:	FFFF	???	Data or unknown opcode
+00000DFB:	FFFF	???	Data or unknown opcode
+00000DFC:	FFFF	???	Data or unknown opcode
+00000DFD:	FFFF	???	Data or unknown opcode
+00000DFE:	FFFF	???	Data or unknown opcode

+0000DFF:	FFFF	???	Data or unknown opcode
+0000E00:	FFFF	???	Data or unknown opcode
+0000E01:	FFFF	???	Data or unknown opcode
+0000E02:	FFFF	???	Data or unknown opcode
+0000E03:	FFFF	???	Data or unknown opcode
+0000E04:	FFFF	???	Data or unknown opcode
+0000E05:	FFFF	???	Data or unknown opcode
+0000E06:	FFFF	???	Data or unknown opcode
+0000E07:	FFFF	???	Data or unknown opcode
+0000E08:	FFFF	???	Data or unknown opcode
+0000E09:	FFFF	???	Data or unknown opcode
+0000E0A:	FFFF	???	Data or unknown opcode
+0000E0B:	FFFF	???	Data or unknown opcode
+0000E0C:	FFFF	???	Data or unknown opcode
+0000E0D:	FFFF	???	Data or unknown opcode
+0000E0E:	FFFF	???	Data or unknown opcode
+0000E0F:	FFFF	???	Data or unknown opcode
+0000E10:	FFFF	???	Data or unknown opcode
+0000E11:	FFFF	???	Data or unknown opcode
+0000E12:	FFFF	???	Data or unknown opcode
+0000E13:	FFFF	???	Data or unknown opcode
+0000E14:	FFFF	???	Data or unknown opcode
+0000E15:	FFFF	???	Data or unknown opcode
+0000E16:	FFFF	???	Data or unknown opcode
+0000E17:	FFFF	???	Data or unknown opcode
+0000E18:	FFFF	???	Data or unknown opcode
+0000E19:	FFFF	???	Data or unknown opcode
+0000E1A:	FFFF	???	Data or unknown opcode
+0000E1B:	FFFF	???	Data or unknown opcode
+0000E1C:	FFFF	???	Data or unknown opcode
+0000E1D:	FFFF	???	Data or unknown opcode
+0000E1E:	FFFF	???	Data or unknown opcode
+0000E1F:	FFFF	???	Data or unknown opcode
+0000E20:	FFFF	???	Data or unknown opcode

+0000E21:	FFFF	???	Data or unknown opcode
+0000E22:	FFFF	???	Data or unknown opcode
+0000E23:	FFFF	???	Data or unknown opcode
+0000E24:	FFFF	???	Data or unknown opcode
+0000E25:	FFFF	???	Data or unknown opcode
+0000E26:	FFFF	???	Data or unknown opcode
+0000E27:	FFFF	???	Data or unknown opcode
+0000E28:	FFFF	???	Data or unknown opcode
+0000E29:	FFFF	???	Data or unknown opcode
+0000E2A:	FFFF	???	Data or unknown opcode
+0000E2B:	FFFF	???	Data or unknown opcode
+0000E2C:	FFFF	???	Data or unknown opcode
+0000E2D:	FFFF	???	Data or unknown opcode
+0000E2E:	FFFF	???	Data or unknown opcode
+0000E2F:	FFFF	???	Data or unknown opcode
+0000E30:	FFFF	???	Data or unknown opcode
+0000E31:	FFFF	???	Data or unknown opcode
+0000E32:	FFFF	???	Data or unknown opcode
+0000E33:	FFFF	???	Data or unknown opcode
+0000E34:	FFFF	???	Data or unknown opcode
+0000E35:	FFFF	???	Data or unknown opcode
+0000E36:	FFFF	???	Data or unknown opcode
+0000E37:	FFFF	???	Data or unknown opcode
+0000E38:	FFFF	???	Data or unknown opcode
+0000E39:	FFFF	???	Data or unknown opcode
+0000E3A:	FFFF	???	Data or unknown opcode
+0000E3B:	FFFF	???	Data or unknown opcode
+0000E3C:	FFFF	???	Data or unknown opcode
+0000E3D:	FFFF	???	Data or unknown opcode
+0000E3E:	FFFF	???	Data or unknown opcode
+0000E3F:	FFFF	???	Data or unknown opcode
+0000E40:	FFFF	???	Data or unknown opcode
+0000E41:	FFFF	???	Data or unknown opcode
+0000E42:	FFFF	???	Data or unknown opcode

+0000E43:	FFFF	???	Data or unknown opcode
+0000E44:	FFFF	???	Data or unknown opcode
+0000E45:	FFFF	???	Data or unknown opcode
+0000E46:	FFFF	???	Data or unknown opcode
+0000E47:	FFFF	???	Data or unknown opcode
+0000E48:	FFFF	???	Data or unknown opcode
+0000E49:	FFFF	???	Data or unknown opcode
+0000E4A:	FFFF	???	Data or unknown opcode
+0000E4B:	FFFF	???	Data or unknown opcode
+0000E4C:	FFFF	???	Data or unknown opcode
+0000E4D:	FFFF	???	Data or unknown opcode
+0000E4E:	FFFF	???	Data or unknown opcode
+0000E4F:	FFFF	???	Data or unknown opcode
+0000E50:	FFFF	???	Data or unknown opcode
+0000E51:	FFFF	???	Data or unknown opcode
+0000E52:	FFFF	???	Data or unknown opcode
+0000E53:	FFFF	???	Data or unknown opcode
+0000E54:	FFFF	???	Data or unknown opcode
+0000E55:	FFFF	???	Data or unknown opcode
+0000E56:	FFFF	???	Data or unknown opcode
+0000E57:	FFFF	???	Data or unknown opcode
+0000E58:	FFFF	???	Data or unknown opcode
+0000E59:	FFFF	???	Data or unknown opcode
+0000E5A:	FFFF	???	Data or unknown opcode
+0000E5B:	FFFF	???	Data or unknown opcode
+0000E5C:	FFFF	???	Data or unknown opcode
+0000E5D:	FFFF	???	Data or unknown opcode
+0000E5E:	FFFF	???	Data or unknown opcode
+0000E5F:	FFFF	???	Data or unknown opcode
+0000E60:	FFFF	???	Data or unknown opcode
+0000E61:	FFFF	???	Data or unknown opcode
+0000E62:	FFFF	???	Data or unknown opcode
+0000E63:	FFFF	???	Data or unknown opcode
+0000E64:	FFFF	???	Data or unknown opcode

+0000E65:	FFFF	???	Data or unknown opcode
+0000E66:	FFFF	???	Data or unknown opcode
+0000E67:	FFFF	???	Data or unknown opcode
+0000E68:	FFFF	???	Data or unknown opcode
+0000E69:	FFFF	???	Data or unknown opcode
+0000E6A:	FFFF	???	Data or unknown opcode
+0000E6B:	FFFF	???	Data or unknown opcode
+0000E6C:	FFFF	???	Data or unknown opcode
+0000E6D:	FFFF	???	Data or unknown opcode
+0000E6E:	FFFF	???	Data or unknown opcode
+0000E6F:	FFFF	???	Data or unknown opcode
+0000E70:	FFFF	???	Data or unknown opcode
+0000E71:	FFFF	???	Data or unknown opcode
+0000E72:	FFFF	???	Data or unknown opcode
+0000E73:	FFFF	???	Data or unknown opcode
+0000E74:	FFFF	???	Data or unknown opcode
+0000E75:	FFFF	???	Data or unknown opcode
+0000E76:	FFFF	???	Data or unknown opcode
+0000E77:	FFFF	???	Data or unknown opcode
+0000E78:	FFFF	???	Data or unknown opcode
+0000E79:	FFFF	???	Data or unknown opcode
+0000E7A:	FFFF	???	Data or unknown opcode
+0000E7B:	FFFF	???	Data or unknown opcode
+0000E7C:	FFFF	???	Data or unknown opcode
+0000E7D:	FFFF	???	Data or unknown opcode
+0000E7E:	FFFF	???	Data or unknown opcode
+0000E7F:	FFFF	???	Data or unknown opcode
+0000E80:	FFFF	???	Data or unknown opcode
+0000E81:	FFFF	???	Data or unknown opcode
+0000E82:	FFFF	???	Data or unknown opcode
+0000E83:	FFFF	???	Data or unknown opcode
+0000E84:	FFFF	???	Data or unknown opcode
+0000E85:	FFFF	???	Data or unknown opcode
+0000E86:	FFFF	???	Data or unknown opcode

+0000E87:	FFFF	???	Data or unknown opcode
+0000E88:	FFFF	???	Data or unknown opcode
+0000E89:	FFFF	???	Data or unknown opcode
+0000E8A:	FFFF	???	Data or unknown opcode
+0000E8B:	FFFF	???	Data or unknown opcode
+0000E8C:	FFFF	???	Data or unknown opcode
+0000E8D:	FFFF	???	Data or unknown opcode
+0000E8E:	FFFF	???	Data or unknown opcode
+0000E8F:	FFFF	???	Data or unknown opcode
+0000E90:	FFFF	???	Data or unknown opcode
+0000E91:	FFFF	???	Data or unknown opcode
+0000E92:	FFFF	???	Data or unknown opcode
+0000E93:	FFFF	???	Data or unknown opcode
+0000E94:	FFFF	???	Data or unknown opcode
+0000E95:	FFFF	???	Data or unknown opcode
+0000E96:	FFFF	???	Data or unknown opcode
+0000E97:	FFFF	???	Data or unknown opcode
+0000E98:	FFFF	???	Data or unknown opcode
+0000E99:	FFFF	???	Data or unknown opcode
+0000E9A:	FFFF	???	Data or unknown opcode
+0000E9B:	FFFF	???	Data or unknown opcode
+0000E9C:	FFFF	???	Data or unknown opcode
+0000E9D:	FFFF	???	Data or unknown opcode
+0000E9E:	FFFF	???	Data or unknown opcode
+0000E9F:	FFFF	???	Data or unknown opcode
+0000EA0:	FFFF	???	Data or unknown opcode
+0000EA1:	FFFF	???	Data or unknown opcode
+0000EA2:	FFFF	???	Data or unknown opcode
+0000EA3:	FFFF	???	Data or unknown opcode
+0000EA4:	FFFF	???	Data or unknown opcode
+0000EA5:	FFFF	???	Data or unknown opcode
+0000EA6:	FFFF	???	Data or unknown opcode
+0000EA7:	FFFF	???	Data or unknown opcode
+0000EA8:	FFFF	???	Data or unknown opcode

+0000EA9:	FFFF	???	Data or unknown opcode
+0000EAA:	FFFF	???	Data or unknown opcode
+0000EAB:	FFFF	???	Data or unknown opcode
+0000EAC:	FFFF	???	Data or unknown opcode
+0000EAD:	FFFF	???	Data or unknown opcode
+0000EAE:	FFFF	???	Data or unknown opcode
+0000EAF:	FFFF	???	Data or unknown opcode
+0000EB0:	FFFF	???	Data or unknown opcode
+0000EB1:	FFFF	???	Data or unknown opcode
+0000EB2:	FFFF	???	Data or unknown opcode
+0000EB3:	FFFF	???	Data or unknown opcode
+0000EB4:	FFFF	???	Data or unknown opcode
+0000EB5:	FFFF	???	Data or unknown opcode
+0000EB6:	FFFF	???	Data or unknown opcode
+0000EB7:	FFFF	???	Data or unknown opcode
+0000EB8:	FFFF	???	Data or unknown opcode
+0000EB9:	FFFF	???	Data or unknown opcode
+0000EBA:	FFFF	???	Data or unknown opcode
+0000EBB:	FFFF	???	Data or unknown opcode
+0000EBC:	FFFF	???	Data or unknown opcode
+0000EBD:	FFFF	???	Data or unknown opcode
+0000EBE:	FFFF	???	Data or unknown opcode
+0000EBF:	FFFF	???	Data or unknown opcode
+0000EC0:	FFFF	???	Data or unknown opcode
+0000EC1:	FFFF	???	Data or unknown opcode
+0000EC2:	FFFF	???	Data or unknown opcode
+0000EC3:	FFFF	???	Data or unknown opcode
+0000EC4:	FFFF	???	Data or unknown opcode
+0000EC5:	FFFF	???	Data or unknown opcode
+0000EC6:	FFFF	???	Data or unknown opcode
+0000EC7:	FFFF	???	Data or unknown opcode
+0000EC8:	FFFF	???	Data or unknown opcode
+0000EC9:	FFFF	???	Data or unknown opcode
+0000ECA:	FFFF	???	Data or unknown opcode

+00000ECB:	FFFF	???	Data or unknown opcode
+00000ECC:	FFFF	???	Data or unknown opcode
+00000ECD:	FFFF	???	Data or unknown opcode
+00000ECE:	FFFF	???	Data or unknown opcode
+00000ECF:	FFFF	???	Data or unknown opcode
+00000ED0:	FFFF	???	Data or unknown opcode
+00000ED1:	FFFF	???	Data or unknown opcode
+00000ED2:	FFFF	???	Data or unknown opcode
+00000ED3:	FFFF	???	Data or unknown opcode
+00000ED4:	FFFF	???	Data or unknown opcode
+00000ED5:	FFFF	???	Data or unknown opcode
+00000ED6:	FFFF	???	Data or unknown opcode
+00000ED7:	FFFF	???	Data or unknown opcode
+00000ED8:	FFFF	???	Data or unknown opcode
+00000ED9:	FFFF	???	Data or unknown opcode
+00000EDA:	FFFF	???	Data or unknown opcode
+00000EDB:	FFFF	???	Data or unknown opcode
+00000EDC:	FFFF	???	Data or unknown opcode
+00000EDD:	FFFF	???	Data or unknown opcode
+00000EDE:	FFFF	???	Data or unknown opcode
+00000EDF:	FFFF	???	Data or unknown opcode
+00000EE0:	FFFF	???	Data or unknown opcode
+00000EE1:	FFFF	???	Data or unknown opcode
+00000EE2:	FFFF	???	Data or unknown opcode
+00000EE3:	FFFF	???	Data or unknown opcode
+00000EE4:	FFFF	???	Data or unknown opcode
+00000EE5:	FFFF	???	Data or unknown opcode
+00000EE6:	FFFF	???	Data or unknown opcode
+00000EE7:	FFFF	???	Data or unknown opcode
+00000EE8:	FFFF	???	Data or unknown opcode
+00000EE9:	FFFF	???	Data or unknown opcode
+00000EEA:	FFFF	???	Data or unknown opcode
+00000EEB:	FFFF	???	Data or unknown opcode
+00000EEC:	FFFF	???	Data or unknown opcode

+0000EED:	FFFF	???	Data or unknown opcode
+0000EEE:	FFFF	???	Data or unknown opcode
+0000EEF:	FFFF	???	Data or unknown opcode
+0000EF0:	FFFF	???	Data or unknown opcode
+0000EF1:	FFFF	???	Data or unknown opcode
+0000EF2:	FFFF	???	Data or unknown opcode
+0000EF3:	FFFF	???	Data or unknown opcode
+0000EF4:	FFFF	???	Data or unknown opcode
+0000EF5:	FFFF	???	Data or unknown opcode
+0000EF6:	FFFF	???	Data or unknown opcode
+0000EF7:	FFFF	???	Data or unknown opcode
+0000EF8:	FFFF	???	Data or unknown opcode
+0000EF9:	FFFF	???	Data or unknown opcode
+0000EFA:	FFFF	???	Data or unknown opcode
+0000EFB:	FFFF	???	Data or unknown opcode
+0000EFC:	FFFF	???	Data or unknown opcode
+0000EFD:	FFFF	???	Data or unknown opcode
+0000EFE:	FFFF	???	Data or unknown opcode
+0000EFF:	FFFF	???	Data or unknown opcode
+0000F00:	FFFF	???	Data or unknown opcode
+0000F01:	FFFF	???	Data or unknown opcode
+0000F02:	FFFF	???	Data or unknown opcode
+0000F03:	FFFF	???	Data or unknown opcode
+0000F04:	FFFF	???	Data or unknown opcode
+0000F05:	FFFF	???	Data or unknown opcode
+0000F06:	FFFF	???	Data or unknown opcode
+0000F07:	FFFF	???	Data or unknown opcode
+0000F08:	FFFF	???	Data or unknown opcode
+0000F09:	FFFF	???	Data or unknown opcode
+0000FOA:	FFFF	???	Data or unknown opcode
+0000FOB:	FFFF	???	Data or unknown opcode
+0000FOC:	FFFF	???	Data or unknown opcode
+0000F0D:	FFFF	???	Data or unknown opcode
+0000FOE:	FFFF	???	Data or unknown opcode

+0000F0F:	FFFF	???	Data or unknown opcode
+0000F10:	FFFF	???	Data or unknown opcode
+0000F11:	FFFF	???	Data or unknown opcode
+0000F12:	FFFF	???	Data or unknown opcode
+0000F13:	FFFF	???	Data or unknown opcode
+0000F14:	FFFF	???	Data or unknown opcode
+0000F15:	FFFF	???	Data or unknown opcode
+0000F16:	FFFF	???	Data or unknown opcode
+0000F17:	FFFF	???	Data or unknown opcode
+0000F18:	FFFF	???	Data or unknown opcode
+0000F19:	FFFF	???	Data or unknown opcode
+0000F1A:	FFFF	???	Data or unknown opcode
+0000F1B:	FFFF	???	Data or unknown opcode
+0000F1C:	FFFF	???	Data or unknown opcode
+0000F1D:	FFFF	???	Data or unknown opcode
+0000F1E:	FFFF	???	Data or unknown opcode
+0000F1F:	FFFF	???	Data or unknown opcode
+0000F20:	FFFF	???	Data or unknown opcode
+0000F21:	FFFF	???	Data or unknown opcode
+0000F22:	FFFF	???	Data or unknown opcode
+0000F23:	FFFF	???	Data or unknown opcode
+0000F24:	FFFF	???	Data or unknown opcode
+0000F25:	FFFF	???	Data or unknown opcode
+0000F26:	FFFF	???	Data or unknown opcode
+0000F27:	FFFF	???	Data or unknown opcode
+0000F28:	FFFF	???	Data or unknown opcode
+0000F29:	FFFF	???	Data or unknown opcode
+0000F2A:	FFFF	???	Data or unknown opcode
+0000F2B:	FFFF	???	Data or unknown opcode
+0000F2C:	FFFF	???	Data or unknown opcode
+0000F2D:	FFFF	???	Data or unknown opcode
+0000F2E:	FFFF	???	Data or unknown opcode
+0000F2F:	FFFF	???	Data or unknown opcode
+0000F30:	FFFF	???	Data or unknown opcode

+0000F31:	FFFF	???	Data or unknown opcode
+0000F32:	FFFF	???	Data or unknown opcode
+0000F33:	FFFF	???	Data or unknown opcode
+0000F34:	FFFF	???	Data or unknown opcode
+0000F35:	FFFF	???	Data or unknown opcode
+0000F36:	FFFF	???	Data or unknown opcode
+0000F37:	FFFF	???	Data or unknown opcode
+0000F38:	FFFF	???	Data or unknown opcode
+0000F39:	FFFF	???	Data or unknown opcode
+0000F3A:	FFFF	???	Data or unknown opcode
+0000F3B:	FFFF	???	Data or unknown opcode
+0000F3C:	FFFF	???	Data or unknown opcode
+0000F3D:	FFFF	???	Data or unknown opcode
+0000F3E:	FFFF	???	Data or unknown opcode
+0000F3F:	FFFF	???	Data or unknown opcode
+0000F40:	FFFF	???	Data or unknown opcode
+0000F41:	FFFF	???	Data or unknown opcode
+0000F42:	FFFF	???	Data or unknown opcode
+0000F43:	FFFF	???	Data or unknown opcode
+0000F44:	FFFF	???	Data or unknown opcode
+0000F45:	FFFF	???	Data or unknown opcode
+0000F46:	FFFF	???	Data or unknown opcode
+0000F47:	FFFF	???	Data or unknown opcode
+0000F48:	FFFF	???	Data or unknown opcode
+0000F49:	FFFF	???	Data or unknown opcode
+0000F4A:	FFFF	???	Data or unknown opcode
+0000F4B:	FFFF	???	Data or unknown opcode
+0000F4C:	FFFF	???	Data or unknown opcode
+0000F4D:	FFFF	???	Data or unknown opcode
+0000F4E:	FFFF	???	Data or unknown opcode
+0000F4F:	FFFF	???	Data or unknown opcode
+0000F50:	FFFF	???	Data or unknown opcode
+0000F51:	FFFF	???	Data or unknown opcode
+0000F52:	FFFF	???	Data or unknown opcode

+0000F53:	FFFF	???	Data or unknown opcode
+0000F54:	FFFF	???	Data or unknown opcode
+0000F55:	FFFF	???	Data or unknown opcode
+0000F56:	FFFF	???	Data or unknown opcode
+0000F57:	FFFF	???	Data or unknown opcode
+0000F58:	FFFF	???	Data or unknown opcode
+0000F59:	FFFF	???	Data or unknown opcode
+0000F5A:	FFFF	???	Data or unknown opcode
+0000F5B:	FFFF	???	Data or unknown opcode
+0000F5C:	FFFF	???	Data or unknown opcode
+0000F5D:	FFFF	???	Data or unknown opcode
+0000F5E:	FFFF	???	Data or unknown opcode
+0000F5F:	FFFF	???	Data or unknown opcode
+0000F60:	FFFF	???	Data or unknown opcode
+0000F61:	FFFF	???	Data or unknown opcode
+0000F62:	FFFF	???	Data or unknown opcode
+0000F63:	FFFF	???	Data or unknown opcode
+0000F64:	FFFF	???	Data or unknown opcode
+0000F65:	FFFF	???	Data or unknown opcode
+0000F66:	FFFF	???	Data or unknown opcode
+0000F67:	FFFF	???	Data or unknown opcode
+0000F68:	FFFF	???	Data or unknown opcode
+0000F69:	FFFF	???	Data or unknown opcode
+0000F6A:	FFFF	???	Data or unknown opcode
+0000F6B:	FFFF	???	Data or unknown opcode
+0000F6C:	FFFF	???	Data or unknown opcode
+0000F6D:	FFFF	???	Data or unknown opcode
+0000F6E:	FFFF	???	Data or unknown opcode
+0000F6F:	FFFF	???	Data or unknown opcode
+0000F70:	FFFF	???	Data or unknown opcode
+0000F71:	FFFF	???	Data or unknown opcode
+0000F72:	FFFF	???	Data or unknown opcode
+0000F73:	FFFF	???	Data or unknown opcode
+0000F74:	FFFF	???	Data or unknown opcode

+0000F75:	FFFF	???	Data or unknown opcode
+0000F76:	FFFF	???	Data or unknown opcode
+0000F77:	FFFF	???	Data or unknown opcode
+0000F78:	FFFF	???	Data or unknown opcode
+0000F79:	FFFF	???	Data or unknown opcode
+0000F7A:	FFFF	???	Data or unknown opcode
+0000F7B:	FFFF	???	Data or unknown opcode
+0000F7C:	FFFF	???	Data or unknown opcode
+0000F7D:	FFFF	???	Data or unknown opcode
+0000F7E:	FFFF	???	Data or unknown opcode
+0000F7F:	FFFF	???	Data or unknown opcode
+0000F80:	FFFF	???	Data or unknown opcode
+0000F81:	FFFF	???	Data or unknown opcode
+0000F82:	FFFF	???	Data or unknown opcode
+0000F83:	FFFF	???	Data or unknown opcode
+0000F84:	FFFF	???	Data or unknown opcode
+0000F85:	FFFF	???	Data or unknown opcode
+0000F86:	FFFF	???	Data or unknown opcode
+0000F87:	FFFF	???	Data or unknown opcode
+0000F88:	FFFF	???	Data or unknown opcode
+0000F89:	FFFF	???	Data or unknown opcode
+0000F8A:	FFFF	???	Data or unknown opcode
+0000F8B:	FFFF	???	Data or unknown opcode
+0000F8C:	FFFF	???	Data or unknown opcode
+0000F8D:	FFFF	???	Data or unknown opcode
+0000F8E:	FFFF	???	Data or unknown opcode
+0000F8F:	FFFF	???	Data or unknown opcode
+0000F90:	FFFF	???	Data or unknown opcode
+0000F91:	FFFF	???	Data or unknown opcode
+0000F92:	FFFF	???	Data or unknown opcode
+0000F93:	FFFF	???	Data or unknown opcode
+0000F94:	FFFF	???	Data or unknown opcode
+0000F95:	FFFF	???	Data or unknown opcode
+0000F96:	FFFF	???	Data or unknown opcode

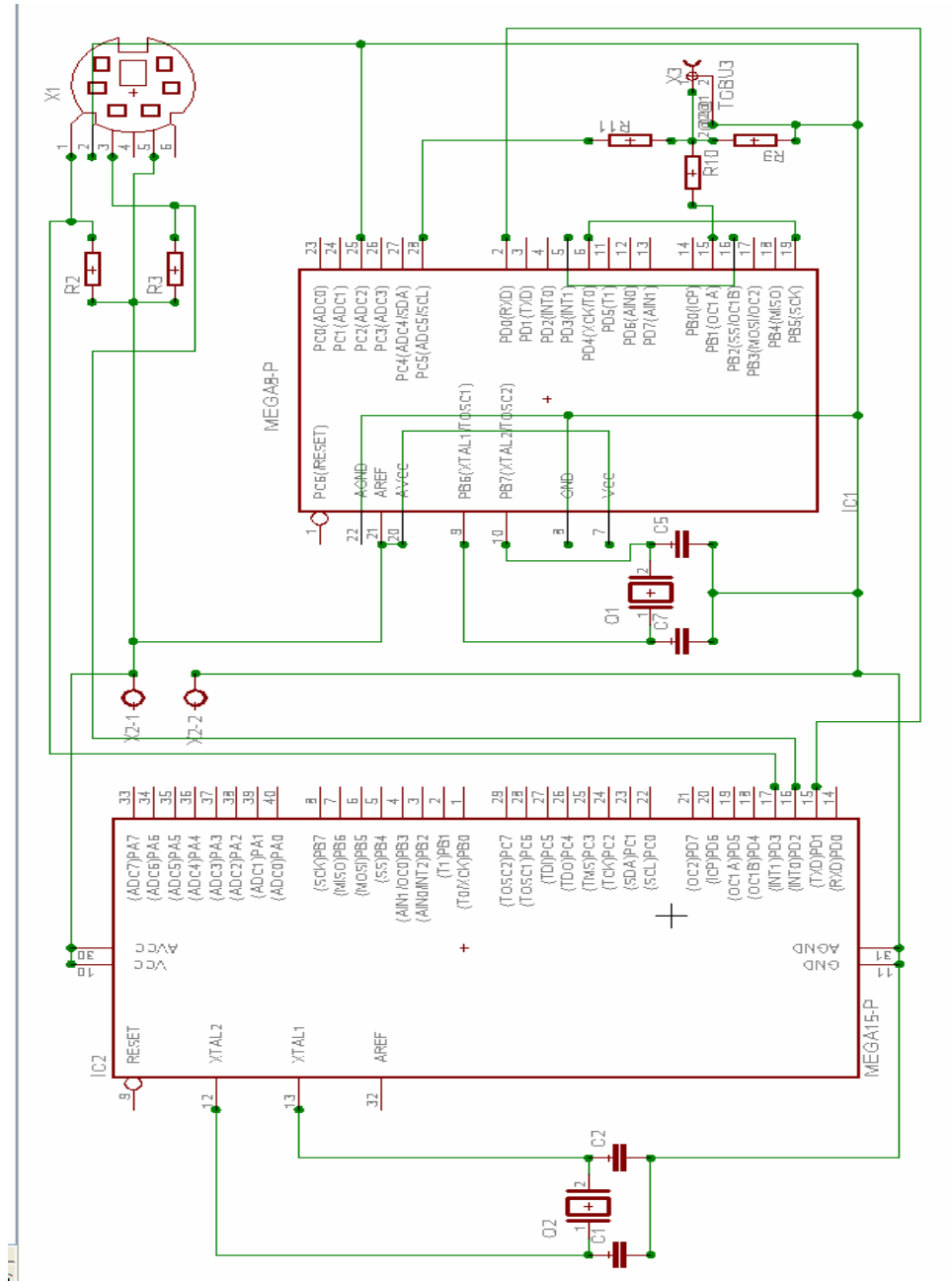
+0000F97:	FFFF	???	Data or unknown opcode
+0000F98:	FFFF	???	Data or unknown opcode
+0000F99:	FFFF	???	Data or unknown opcode
+0000F9A:	FFFF	???	Data or unknown opcode
+0000F9B:	FFFF	???	Data or unknown opcode
+0000F9C:	FFFF	???	Data or unknown opcode
+0000F9D:	FFFF	???	Data or unknown opcode
+0000F9E:	FFFF	???	Data or unknown opcode
+0000F9F:	FFFF	???	Data or unknown opcode
+0000FA0:	FFFF	???	Data or unknown opcode
+0000FA1:	FFFF	???	Data or unknown opcode
+0000FA2:	FFFF	???	Data or unknown opcode
+0000FA3:	FFFF	???	Data or unknown opcode
+0000FA4:	FFFF	???	Data or unknown opcode
+0000FA5:	FFFF	???	Data or unknown opcode
+0000FA6:	FFFF	???	Data or unknown opcode
+0000FA7:	FFFF	???	Data or unknown opcode
+0000FA8:	FFFF	???	Data or unknown opcode
+0000FA9:	FFFF	???	Data or unknown opcode
+0000FAA:	FFFF	???	Data or unknown opcode
+0000FAB:	FFFF	???	Data or unknown opcode
+0000FAC:	FFFF	???	Data or unknown opcode
+0000FAD:	FFFF	???	Data or unknown opcode
+0000FAE:	FFFF	???	Data or unknown opcode
+0000FAF:	FFFF	???	Data or unknown opcode
+0000FB0:	FFFF	???	Data or unknown opcode
+0000FB1:	FFFF	???	Data or unknown opcode
+0000FB2:	FFFF	???	Data or unknown opcode
+0000FB3:	FFFF	???	Data or unknown opcode
+0000FB4:	FFFF	???	Data or unknown opcode
+0000FB5:	FFFF	???	Data or unknown opcode
+0000FB6:	FFFF	???	Data or unknown opcode
+0000FB7:	FFFF	???	Data or unknown opcode
+0000FB8:	FFFF	???	Data or unknown opcode

+0000FB9:	FFFF	???	Data or unknown opcode
+0000FBA:	FFFF	???	Data or unknown opcode
+0000FBB:	FFFF	???	Data or unknown opcode
+0000FBC:	FFFF	???	Data or unknown opcode
+0000FBD:	FFFF	???	Data or unknown opcode
+0000FBE:	FFFF	???	Data or unknown opcode
+0000FBF:	FFFF	???	Data or unknown opcode
+0000FC0:	FFFF	???	Data or unknown opcode
+0000FC1:	FFFF	???	Data or unknown opcode
+0000FC2:	FFFF	???	Data or unknown opcode
+0000FC3:	FFFF	???	Data or unknown opcode
+0000FC4:	FFFF	???	Data or unknown opcode
+0000FC5:	FFFF	???	Data or unknown opcode
+0000FC6:	FFFF	???	Data or unknown opcode
+0000FC7:	FFFF	???	Data or unknown opcode
+0000FC8:	FFFF	???	Data or unknown opcode
+0000FC9:	FFFF	???	Data or unknown opcode
+0000FCA:	FFFF	???	Data or unknown opcode
+0000FCB:	FFFF	???	Data or unknown opcode
+0000FCC:	FFFF	???	Data or unknown opcode
+0000FCD:	FFFF	???	Data or unknown opcode
+0000FCE:	FFFF	???	Data or unknown opcode
+0000FCF:	FFFF	???	Data or unknown opcode
+0000FD0:	FFFF	???	Data or unknown opcode
+0000FD1:	FFFF	???	Data or unknown opcode
+0000FD2:	FFFF	???	Data or unknown opcode
+0000FD3:	FFFF	???	Data or unknown opcode
+0000FD4:	FFFF	???	Data or unknown opcode
+0000FD5:	FFFF	???	Data or unknown opcode
+0000FD6:	FFFF	???	Data or unknown opcode
+0000FD7:	FFFF	???	Data or unknown opcode
+0000FD8:	FFFF	???	Data or unknown opcode
+0000FD9:	FFFF	???	Data or unknown opcode
+0000FDA:	FFFF	???	Data or unknown opcode

+0000FDB:	FFFF	???	Data or unknown opcode
+0000FDC:	FFFF	???	Data or unknown opcode
+0000FDD:	FFFF	???	Data or unknown opcode
+0000FDE:	FFFF	???	Data or unknown opcode
+0000FDF:	FFFF	???	Data or unknown opcode
+0000FE0:	FFFF	???	Data or unknown opcode
+0000FE1:	FFFF	???	Data or unknown opcode
+0000FE2:	FFFF	???	Data or unknown opcode
+0000FE3:	FFFF	???	Data or unknown opcode
+0000FE4:	FFFF	???	Data or unknown opcode
+0000FE5:	FFFF	???	Data or unknown opcode
+0000FE6:	FFFF	???	Data or unknown opcode
+0000FE7:	FFFF	???	Data or unknown opcode
+0000FE8:	FFFF	???	Data or unknown opcode
+0000FE9:	FFFF	???	Data or unknown opcode
+0000FEA:	FFFF	???	Data or unknown opcode
+0000FEB:	FFFF	???	Data or unknown opcode
+0000FEC:	FFFF	???	Data or unknown opcode
+0000FED:	FFFF	???	Data or unknown opcode
+0000FEE:	FFFF	???	Data or unknown opcode
+0000FEF:	FFFF	???	Data or unknown opcode
+0000FF0:	FFFF	???	Data or unknown opcode
+0000FF1:	FFFF	???	Data or unknown opcode
+0000FF2:	FFFF	???	Data or unknown opcode
+0000FF3:	FFFF	???	Data or unknown opcode
+0000FF4:	FFFF	???	Data or unknown opcode
+0000FF5:	FFFF	???	Data or unknown opcode
+0000FF6:	FFFF	???	Data or unknown opcode
+0000FF7:	FFFF	???	Data or unknown opcode
+0000FF8:	FFFF	???	Data or unknown opcode
+0000FF9:	FFFF	???	Data or unknown opcode
+0000FFA:	FFFF	???	Data or unknown opcode
+0000FFB:	FFFF	???	Data or unknown opcode
+0000FFC:	FFFF	???	Data or unknown opcode

+0000FFD:	FFFF	???	Data or unknown opcode
+0000FFE:	FFFF	???	Data or unknown opcode
+0000FFF:	FFFF	???	Data or unknown opcode

LAMPIRAN B



LAMPIRAN C

