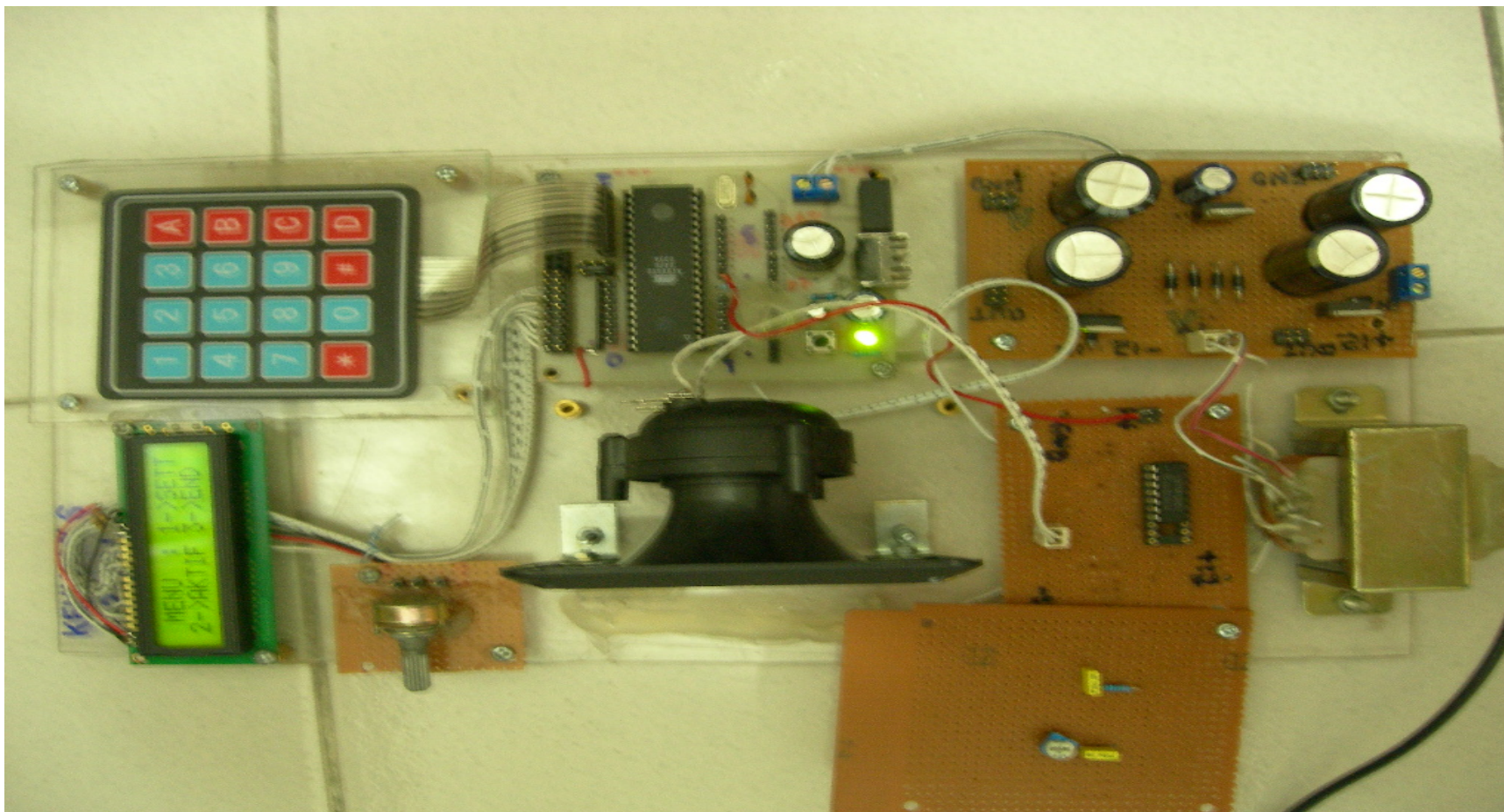


## **LAMPIRAN A**

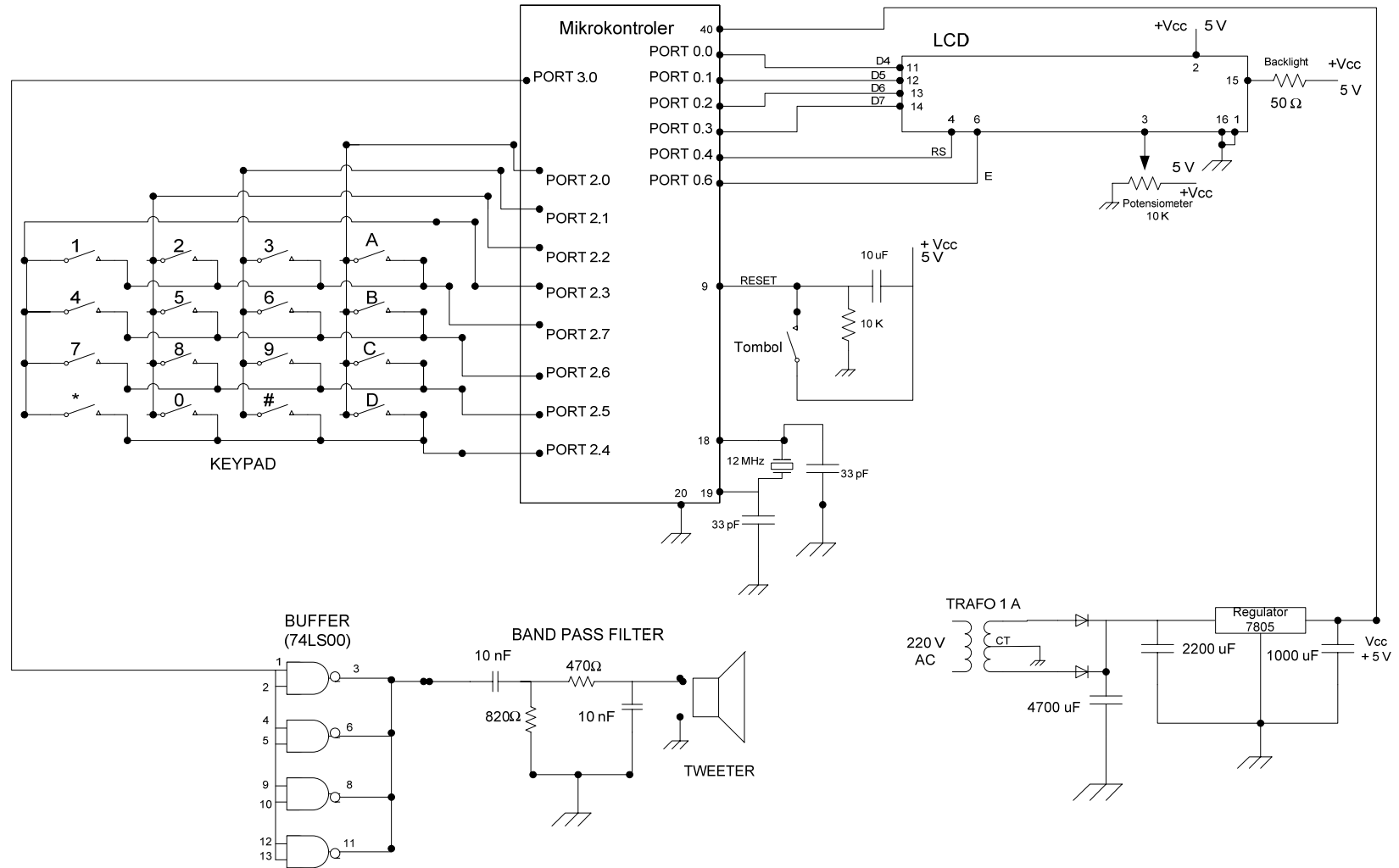
- **Foto Alat ..... A-1**
- **Rangkaian Lengkap ..... A-2**
- **Daftar Komponen ..... A-3**

**Foto Alat**



**Gambar A.1 Foto alat secara global**

Rangkaian Lengkap



Gambar A.2 Rangkaian lengkap keseluruhan sistem

**Daftar Komponen**

<b>ACTIVE DEVICE</b>		
74LS00	Amplifier	1
<i>Tweeter</i>	Piezo Super Tweeter	1
KITEL 246	Crystal 12 MHz	1
1N4002	Rectifier Diode	2
KBP307	Bridge Diode	1
L7805	Regulator	1
AT89S52	Microcontroller	1
<b>RESISTORS</b>		
10 K $\Omega$		1
1.5 K $\Omega$		1
330 $\Omega$		1
100 $\Omega$		2
470 $\Omega$		1
820 $\Omega$		1
<b>POTENTIOMETER</b>		
10 K $\Omega$		1
<b>CAPASITORS</b>		
4700 $\mu$ F		2
2200 $\mu$ F		1
1000 $\mu$ F		1
10 $\mu$ F		1
33 pF		2
10 nF		2
<b>TRANSFORMATOR / TRAF0</b>		
TRAF0 CT 1 A		1
<b>LCD</b>		
LCD 16 x 2	Display Screen	1
<b>KEYPAD</b>		
Keypad 4 x 4	Input Device	1