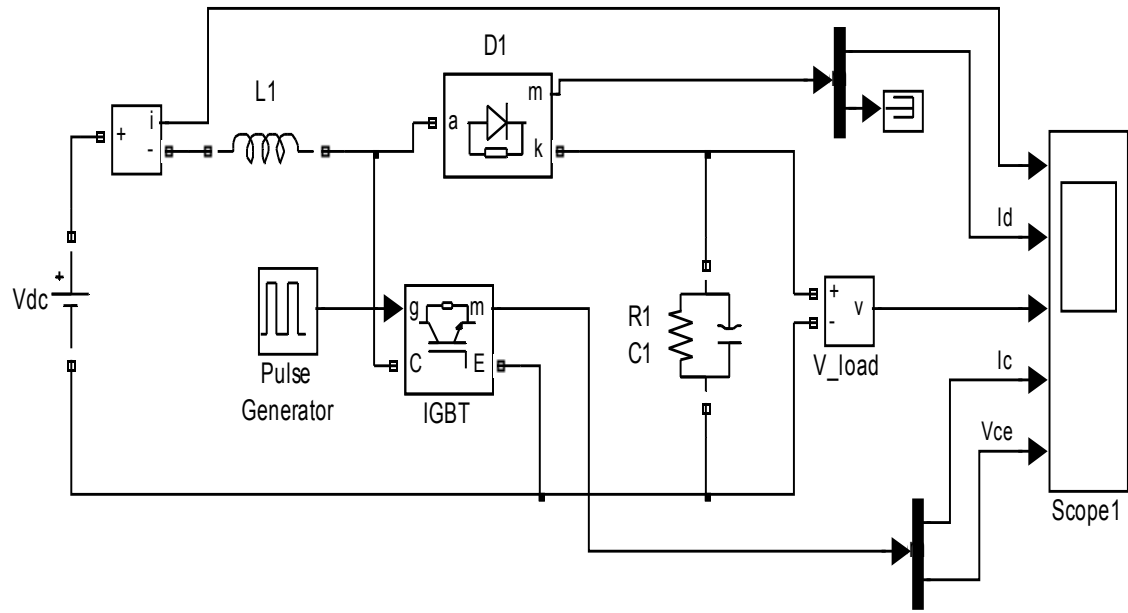


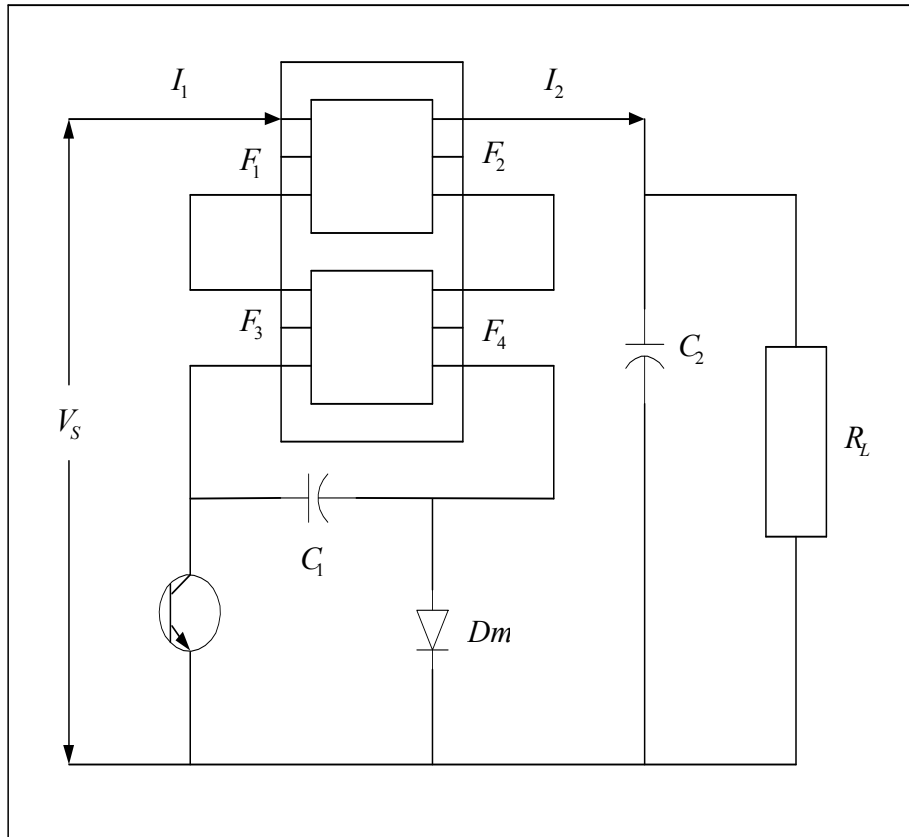
LAMPIRAN

DATA PERANCANGAN PROGRAM

IGBT BLOCK IN A BOOST DC_DC CONVERTER



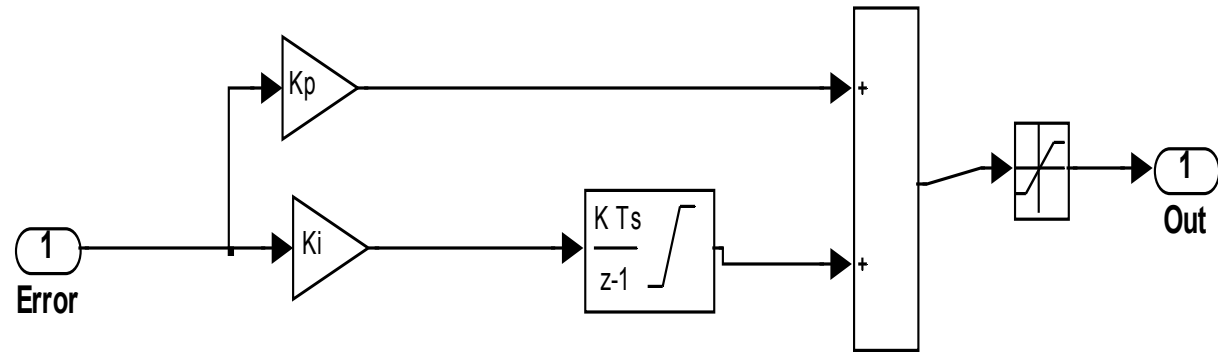
Konverter dengan magnet permanen bercelah udara



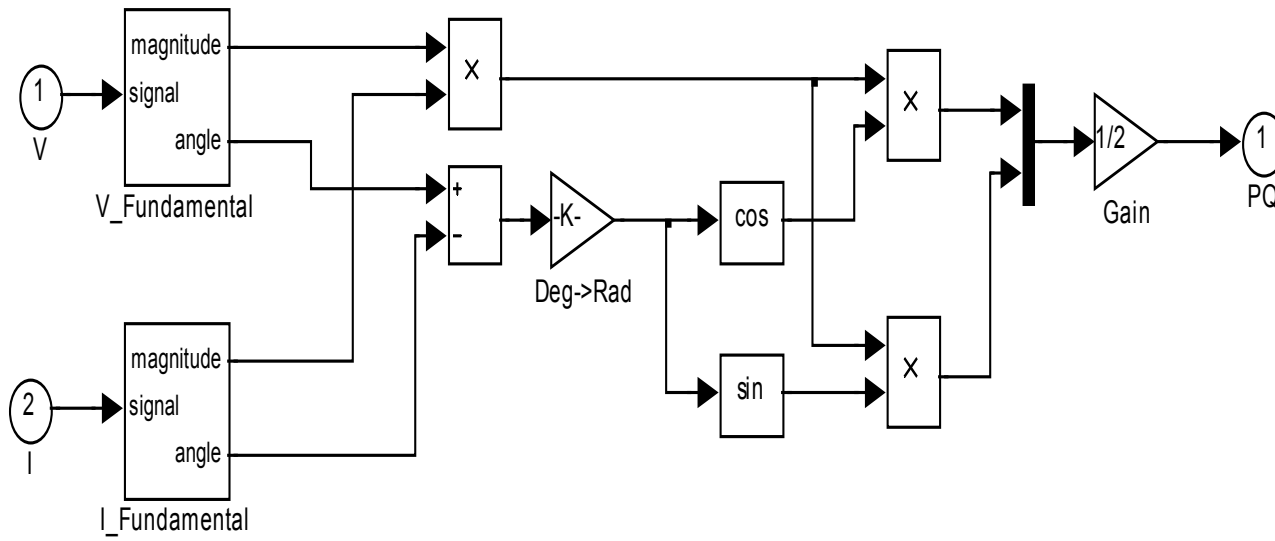
PI Controller

Pierre Giroux, Gilbert Sybille
Power System Simulation Laboratory
IREQ, Hydro-Quebec

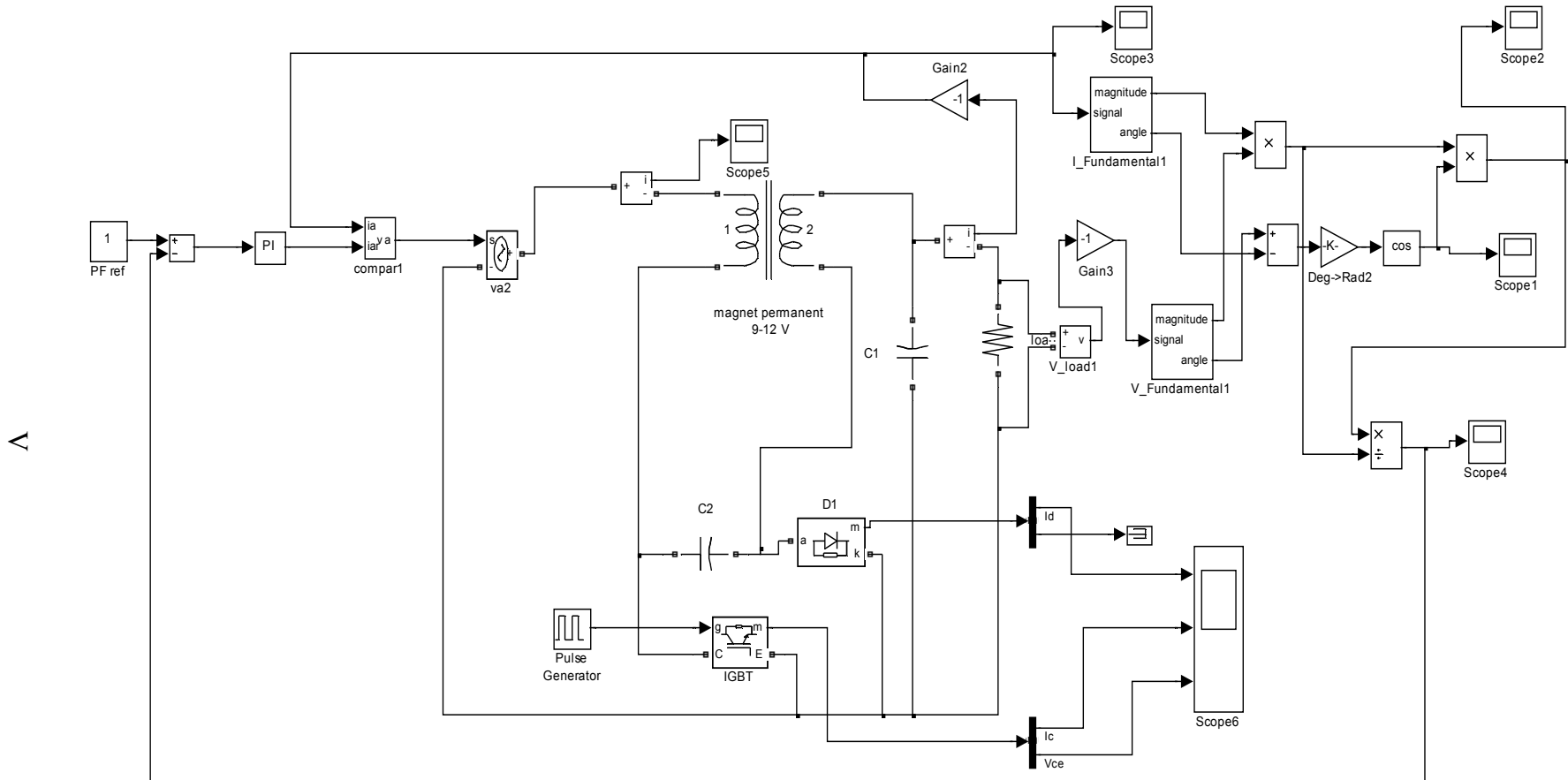
III



Aktif & Reaktif power



permanent magnet with boost dc-dc converter



Continuous